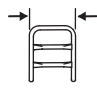
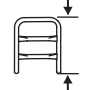
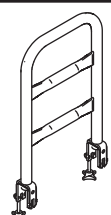
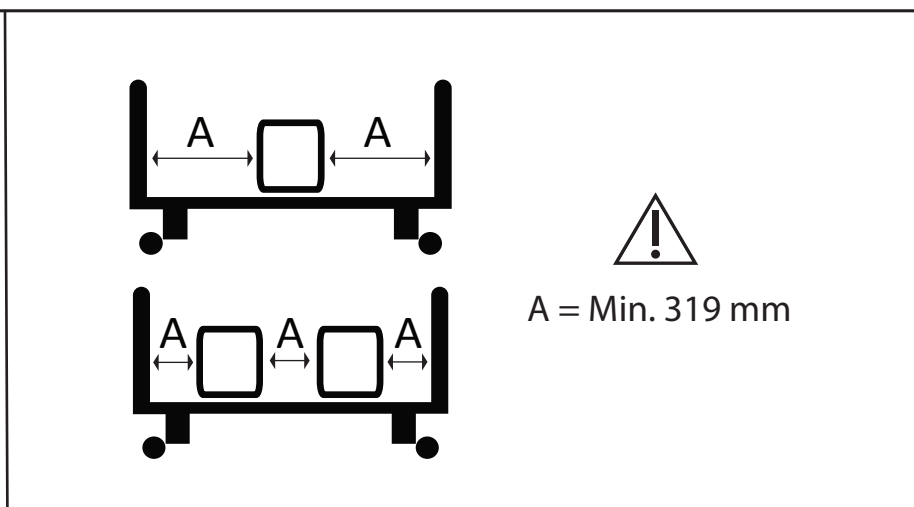
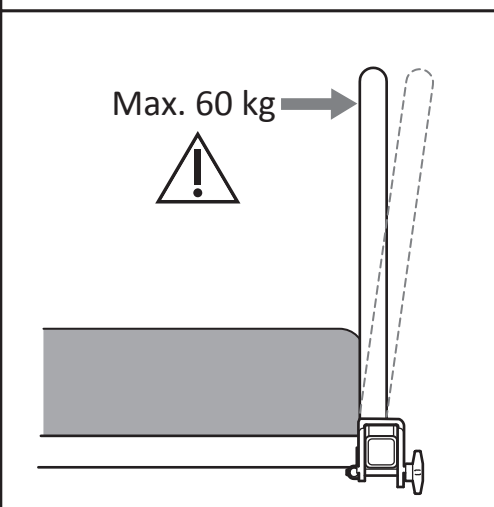
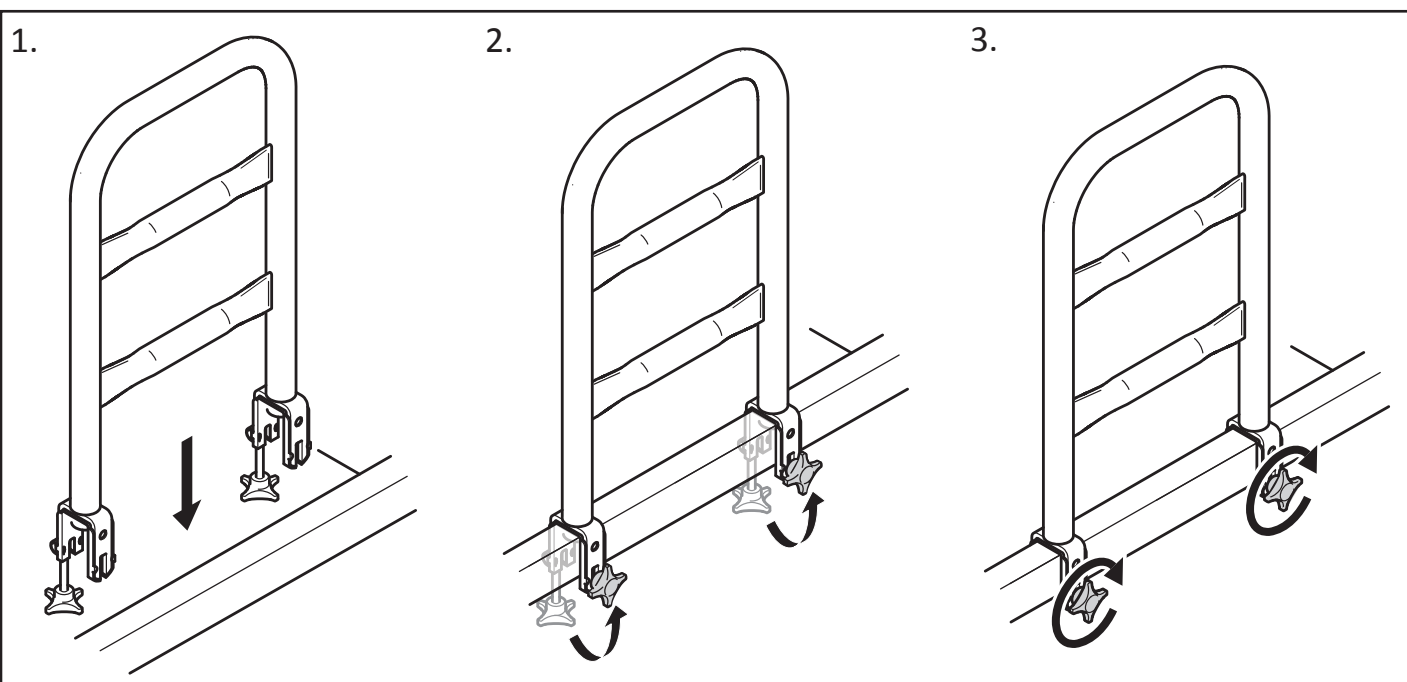


# Support Handle for Invacare Beds

Invacare® SB400  
 Invacare® Etude Plus  
 Invacare® Medley Ergo  
 Invacare® Alegio NG  
 Invacare® Accent

		
 1417510-xxxx	80 cm	25 cm
1417511-xxxx	30 cm	40 cm
1417512-xxxx	80 cm	40 cm
021963-xxxx	50 cm	40 cm
021964-xxxx	30 cm	25 cm



Invacare REA AB  
 Växjövägen 303  
 SE-343 71 Diö  
 Sweden

