

Jazz 510/610 Hemiplegic handle

en **Walking aids**
Service Manual

en

I General

I.1 About this manual

This manual belongs to an Invacare accessory and it contains important information about handling and assembly. In order to ensure safety when using the product, read the user manual of the related product carefully and follow the safety instructions.

Symbols in this manual

In this user manual, warnings are indicated by symbols. The warning symbols are accompanied by a heading that indicates the severity of the danger.



WARNING

Indicates a hazardous situation that could result in serious injury or death if it is not avoided.



CAUTION

Indicates a hazardous situation that could result in minor or slight injury if it is not avoided.



IMPORTANT

Indicates a hazardous situation that could result in damage to property if it is not avoided.



Tips and Recommendations

Gives useful tips, recommendations and information for efficient, trouble-free use.



Gives information about the required tools.

I.2 General warnings



WARNING!

Risk of injury

User can fall as the hemiplegic handle is unstable
– Make sure that all the screws are tightened properly after mounting and adjustments.



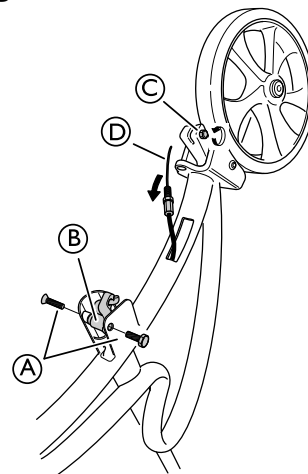
IMPORTANT!

Contamination of material

- Change the foam handles if they are dirty and contaminated. See separate mounting instruction I585235 for more information.

2 Assembly

2.1 Removing the brakes



1. Loosen and remove the screw and sleeve nut (A) and the plastic bushing (B) for the wire holder .



allen key 4 mm + 10 mm fixed spanner

2. Loosen the screw for brake pad (C).



allen key 3 mm

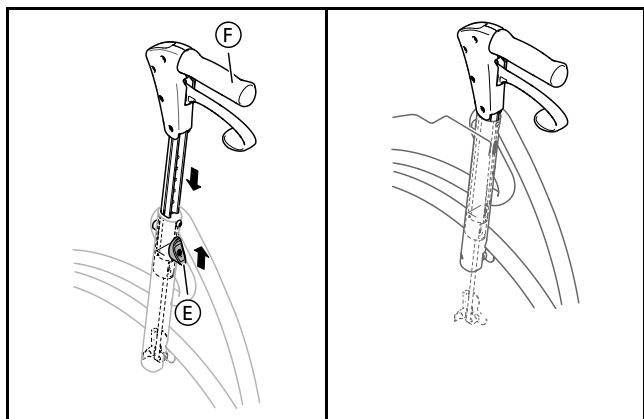


DEALER: Keep this manual.
The procedures in this manual MUST be performed by a qualified technician.

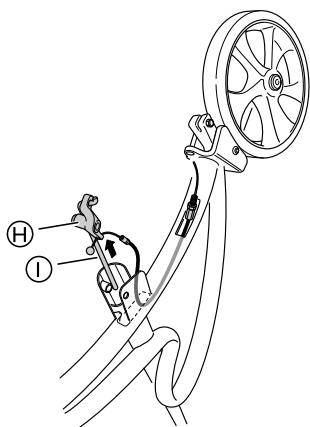


Yes, you can.®

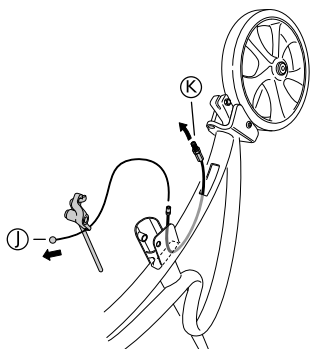
- Loosen the wire **D** from the brake pad.




- Push the height adjustment button **E** upwards .
- Lower the handle **F** to the lowest position in order to easily get access to the wire holder and brake rod.



- Remove the wire holder **H** and the brake rod **I** .



- Remove the existing wire **J** from the wire protection.
- Remove the empty wire protection **K** .

 fixed spanner 10 mm

- Repeat the procedure on the opposite side.

2.2 Mounting the hemiplegic handle



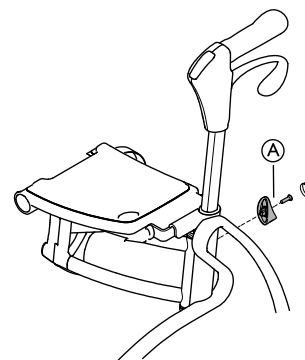
WARNING!

No brake function


- The hemiplegic handle must always be used in combination with the One hand brake.
- See the accessory manual for One hand brake for more instructions about how to mount the brake.

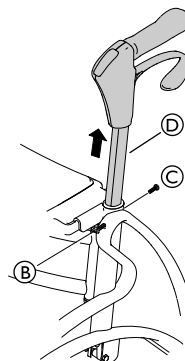
Removing the existing handle

-




Loosen the screw and remove the height adjustment button **A** .


 allen key 2,5 mm



- Loosen the adjustment screw **B** .

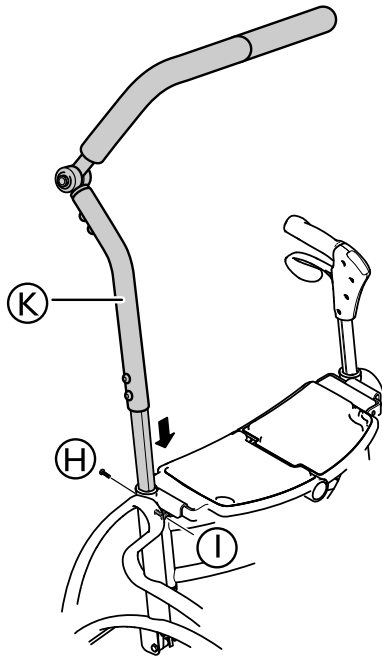
 allen key 3 mm

- Loosen and remove the attachment screw for the handle **C** .

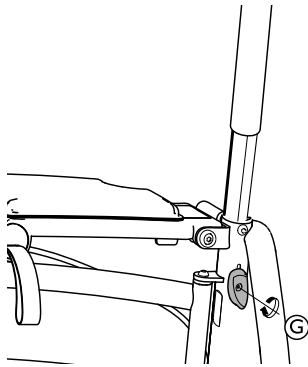
 allen key 4 mm

- Remove the existing handle **D** .

Mounting the hemiplegic handle



1. Mount the hemiplegic handle (K).
2. Re-mount the attachment screw (H) and tighten.
3. Re-tighten the adjustment screw (I).



4. Re-mount the adjustment button (G).
5. Tighten the screw.

Invacare Sales Companies

Ireland:

Invacare Ireland Ltd,
Unit 5 Seatown Business Campus
Seatown Road, Swords, County
Dublin
Tel : (353) | 810 7084
Fax: (353) | 810 7085
ireland@invacare.com
www.invacare.ie

United Kingdom:

Invacare Limited
Pencoed Technology Park, Pencoed
Bridgend CF35 5AQ
Tel: (44) (0) 1656 776 222
Fax: (44) (0) 1656 776 220
uk@invacare.com
www.invacare.co.uk



Manufacturer:

Invacare Rea AB
Växjövägen 303
SE-343 71 Diö
Sweden

1582609-A 2016-02-22



Making Life's Experiences Possible™


DOLOMITE


INVACARE
Yes, you can.®