

# *Spare Parts Catalogue*

---

Version: 2011/04/12b EN



Invacare® **Action**® 3



**Yes, you can.®**

## **General Information**

*For any order of spare parts the following information is required:*

- Product type*
- Product name & model*
- Serial Number*
- Part-Number*
- Part-Description*

*Exploded view drawings and code numbers are not contractual and subject to modification, in relation to Invacare® continuous product improvement policy to meet end users needs.*

*The reproduction or use of this work, or of any substantial part of this work, in any form or by any electronic, mechanical or other means, including photocopying, scanning and recording, and in any information storage and retrieval system, including electronic transmission, is forbidden without the prior written permission of Invacare® International Sarl.*



Yes, you can.<sup>®</sup>

## TABLE OF CONTENTS

---

### Chassis

Side Frame 01/2005=>	7
Frames with forks =>01/2005	8
Folding System	9

### Seat

Seat Upholstery	10
Padded Seats Upholsteries	11
Adjustable Depth Seat Upholstery	12
Confort Seat Upholstery	13
Padded Seats Upholsteries And Mistral Cushions	14
Anatomic Seat Adjustable	15

### Backrest

Fixed Backrest	16
Fixed Backrest, Height Adjustable, Push Handle	17
Fixed Backrest 35 Cm Xtra	18
Adjustable Backrest From -6° To +24°	19
Recliner Backrest 0° To 30°, Ratchet	20
Recliner Backrest 0° To 30°, Gaz Spring	21
Fold down backrest	22
Laguna backrests	23
Backrest Upholstery	24
Backrest Upholstery For Height Adjustable Backrest	25
Contour adjustable nylon type back upholstery	26
Comfort Upholstery	27

### Legrests

Hanger fixed 80°	28
Legrest 90°, fixed	29
Assembly Legrest, Fixed Footrest	30
Assembly Legrest, Adjustable Footrest	31
Adjustable Legrest	32
Calf Pad	33
Plaster Legrest Complete	34
Amputee Legrest	35

### Footrests

Footrest	36
Footrest with shorter support	37
Angle adjustable footrest	38
Angle and depth adjustable footrest	39
Angle and depth adjustable footrest with shorter support	41
One piece footboard	42

### Siderests

Armrest n°1 - Removable and height adjustable	43
Swing Away & Detachable Armrest 2	44



Yes, you can.®

## TABLE OF CONTENTS

---

Height Adjustable Armrest 3 .....	45
Height Adjustable Comfort Armrest .....	46
Height Adjustable Monobloc Armrest .....	47
Hemi Dartex Armpad Multiposition .....	48
Hemiplegic Armrest Support .....	49
Armpad Hemi Motion Simple Adjustable .....	50
Armpad Hemi Motion Multi Adjustable .....	51
Mudguard Xtra .....	52

### Front Wheels

Forks .....	53
Forks supports .....	54
Front wheels .....	55
Front wheel extension kit .....	56

### Rear Wheels

24" Standard Wheels < 03/2007 .....	57
24" Standard Wheels > 03/2007 .....	58
24" Standard Wheels accessories .....	59
22" Standard Wheels < 03/2007 .....	60
22" Standard Wheels > 03/2007 .....	61
22" Standard Wheels accessories .....	62
20" Standard Wheels .....	63
20" Standard Wheels accessories .....	64
24" / 22" hub brake wheels with accessories < 06 / 2007 .....	65
24" / 22" hub brake wheels with accessories > 06 / 2007 .....	66
Rear Wheel Supports & Pump .....	67
12" Rear Wheels .....	68
Rear wheel support transit .....	69

### Brakes

Push Brakes : Standard And With Extension .....	70
Push brake Transit .....	71
Attendant Hub Brake .....	72
24" / 22" hub brake wheels with accessories < 06 / 2007 .....	65
24" / 22" hub brake wheels with accessories > 06 / 2007 .....	66
Oad Wire Control Brake .....	73

### Safety Options

Lapt belts .....	74
Rear Anti Tipper And Tipping Tube .....	75
Reflectors .....	76
Transfer Kit .....	77

### Seating Options

Standard Headrest .....	78
Comfort Headrest .....	79
Cushions .....	80
Cushions Visco .....	81
Trunk Support .....	82



Yes, you can.®

## TABLE OF CONTENTS

---

Trunk Support Comfort Dartex .....	83
Calf Strap .....	84
Heels strap .....	85
Back Brace .....	86
Hanger Adaptator .....	87

### Propulsion Options

Dual Handrim, Fixed Axle .....	88
Dual hand rim, fixed axle wheels .....	89
Dual handrim QR axle .....	90
Hand Control For Oad By Lever .....	91
Oad By Lever .....	92
Wheels For Oad By Lever .....	93
Dual Amputee Position .....	94
Front wheel extension kit .....	56

### Others Options & Accessories

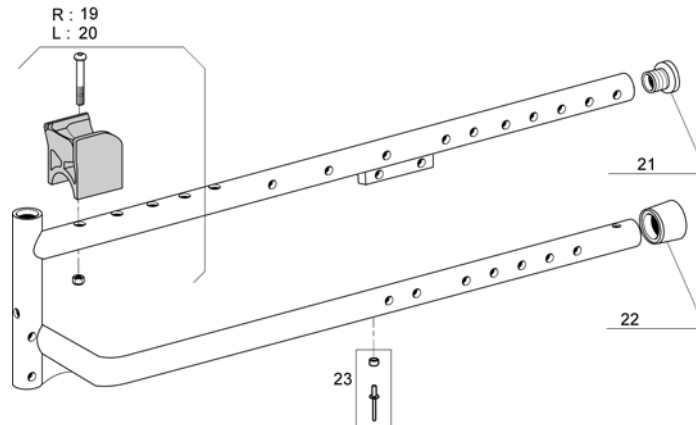
Cane holder .....	95
Tipping tube .....	96
Transparent Tray .....	97
Comfort Tray .....	98
Dripstand .....	99



**Side Frame 01/2005=>**

01 / 2005 □

		40 cm	45 cm
Dark red	R :	1	11
	L :	2	12
Sapphire blue	R :	3	13
	L :	4	14
Anthracite black	R :	5	15
	L :	6	16
Pearl grey	R :	7	17
	L :	8	18
Purple	R :	9	-
	L :	10	-

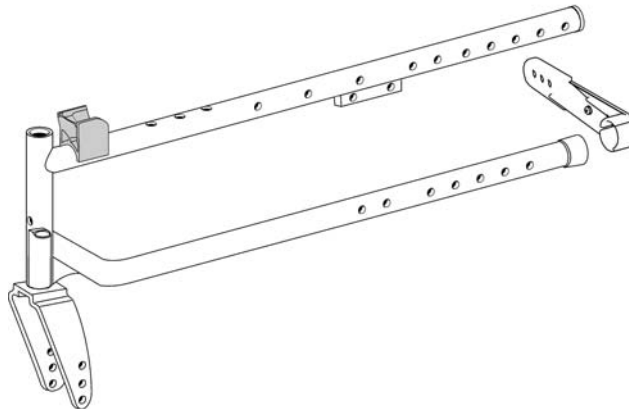


Pos.	P number	Description	Valid from → until	Qty
1	1449981-0607	Side Frame Rh D 40Cm Dark Red	20050101 →	1
2	1449982-0607	Side Frame Lh D 40Cm Dark Red	20050101 →	1
3	1449981-0608	Side Frame Rh D 40Cm Sapphire Blue	20050101 →	1
4	1449982-0608	Side Frame Lh D 40Cm Sapphire Blue	20050101 →	1
5	1449981-0609	Side Frame Rh SD 40Cm Anthracite Black	20050101 →	1
6	1449982-0609	Side Frame Lh SD 40Cm Anthracite Black	20050101 →	1
7	1449981-0515	Side Frame Rh D 40Cm Pearl Grey	20050101 →	1
8	1449982-0515	Side Frame Lh D 40Cm Pearl Grey	20050101 →	1
9	1449981-0611	Side Frame Rh D 40Cm Purple	20050101 →	1
10	1449982-0611	Side Frame Lh D 40Cm Purple	20050101 →	1
11	1449983-0607	Side Frame Rh D 45Cm Dark Red	20050101 →	1
12	1449984-0607	Side Frame Lh D 45Cm Dark Red	20050101 →	1
13	1449983-0608	Side Frame Rh D 45Cm Sapphire Blue	20050101 →	1
14	1449984-0608	Side Frame Lh D 45Cm Sapphire Blue	20050101 →	1
15	1449983-0609	Side Frame Rh SD 45Cm Anthracite Black	20050101 →	1
16	1449984-0609	Side Frame Lh SD 45Cm Anthracite Black	20050101 →	1
17	1449983-0515	Side Frame Rh D 45Cm Pearl Grey	20050101 →	1
18	1449984-0515	Side Frame Lh D 45Cm Pearl Grey	20050101 →	1
19	1434127	Crossbar Support Kit Clipable Right		1
20	1434128	Crossbar Support Kit Clipable Left		1
21	1418112	Black cap to be inserted Ø22x15		1
22	0021N05386	Frame cap black 1		1
23	1431304	Cross brace rivet & washer kit		1
24	1428796	Sticker Action 3		1

# Frames with forks =>01/2005

□ 01 / 2005

	mm	40 cm	mm	45 cm
Dark red	60	1	60	11
	36	2	36	12
Sapphire blue	60	3	60	13
	36	4	36	14
Anthracite black	60	5	60	15
	36	6	36	16
Pearl grey	60	7	60	17
	36	8	36	18
Purple	60	9	60	-
	36	10	36	-



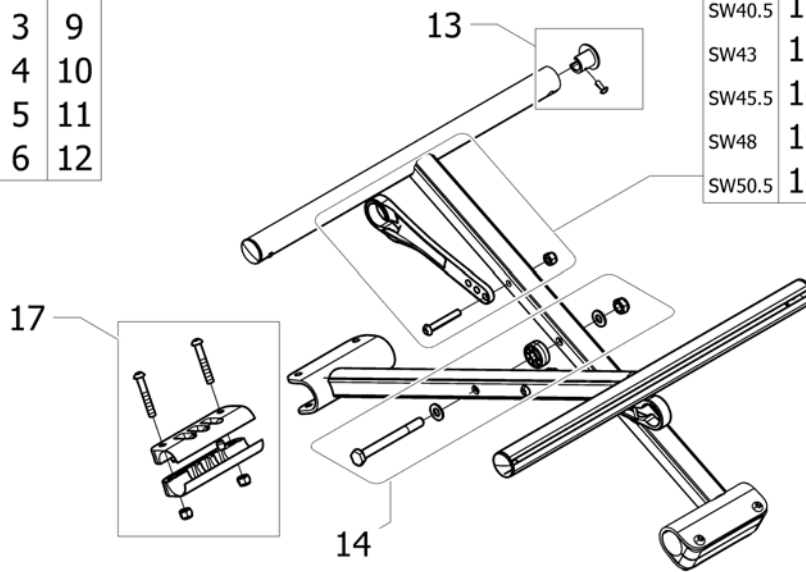
Pos.	P	number	Description	Valid from → until	Qty
1		1515049	Pair of Action 3 Side Frame D 40 cm Dark Red With 60 mm Front Fork	→ 20041231	1
2		1515215	Pair of Action 3 Side Frame D 40 cm Dark Red With 36 mm Front Fork	→ 20041231	1
3		1515050	Pair of Action 3 Side Frame D 40 cm Sapphire Blue With 60 mm Front Fork	→ 20041231	1
4		1515216	Pair of Action 3 Side Frame D 40 cm Sapphire Blue With 36 mm Front Fork	→ 20041231	1
5		1515051	Pair of Action 3 Side Frame D 40 cm Anthracite Blak With 60 mm Front Fork	→ 20041231	1
6		1515217	Pair of Action 3 Side Frame D 40 cm Anthracite Blak With 36 mm Front Fork	→ 20041231	1
7		1515116	Pair of Action 3 Side Frame D 40 cm Pearl Grey With 60 mm Front Fork	→ 20041231	1
8		1515218	Pair of Action 3 Side Frame D 40 cm Pearl Grey With 36 mm Front Fork	→ 20041231	1
9		1515117	Pair of Action 3 Side Frame D 40 cm Purple With 60 mm Front Fork	→ 20041231	1
10		1515219	Pair of Action 3 Side Frame D 40 cm Purple With 36 mm Front Fork	→ 20041231	1
11		1515118	Pair of Action 3 Side Frame D 45 cm Dark Red With 60 mm Front Fork	→ 20041231	1
12		1515220	Pair of Action 3 Side Frame D 45 cm Dark Red With 36 mm Front Fork	→ 20041231	1
13		1515211	Pair of Action 3 Side Frame D 45 cm Sapphire Blue With 60 mm Front Fork	→ 20041231	1
14		1515221	Pair of Action 3 Side Frame D 45 cm Sapphire Blue With 36 mm Front Fork	→ 20041231	1
15		1515212	Pair of Action 3 Side Frame D 45 cm Anthracite Blak With 60 mm Front Fork	→ 20041231	1
16		1515222	Pair of Action 3 Side Frame D 45 cm Anthracite Blak With 36 mm Front Fork	→ 20041231	1
17		1515213	Pair of Action 3 Side Frame D 45 cm Pearl Grey With 60 mm Front Fork	→ 20041231	1
18		1515223	Pair of Action 3 Side Frame D 45 cm Pearl Grey With 36 mm Front Fork	→ 20041231	1



# Folding System

	SD40	SD45
SW38	1	7
SW40.5	2	8
SW43	3	9
SW45.5	4	10
SW48	5	11
SW50.5	6	12

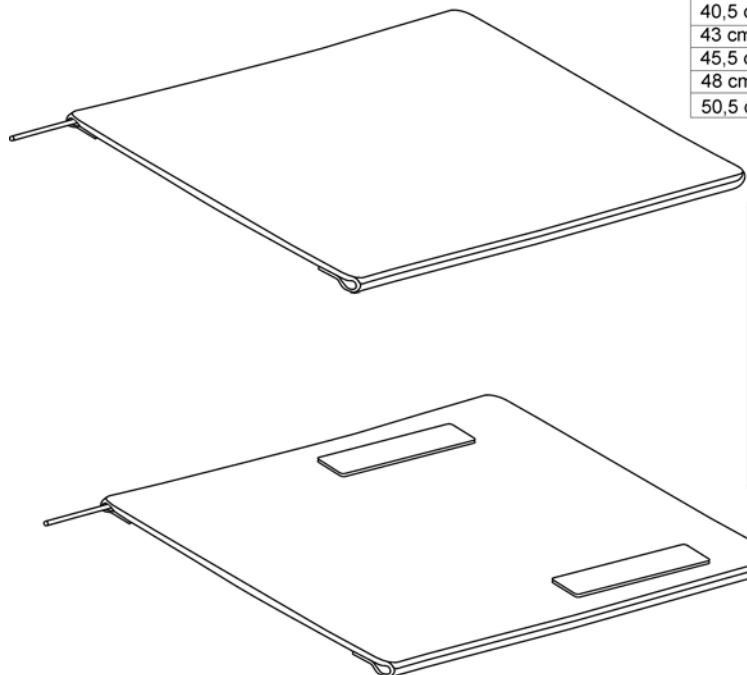
SW38	15
SW40.5	15
SW43	15
SW45.5	16
SW48	16
SW50.5	16



15P133002

Pos.	P	number	Description	Valid from → until	Qty
1		1530223	Cross Brace Complete Mechanism SW 38Cm X SD 40Cm		1
2		1530224	Cross Brace Complete Mechanism SW 40,5Cm X SD 40Cm		1
3		1530225	Cross Brace Complete Mechanism SW 43Cm X SD 40Cm		1
4		1530226	Cross Brace Complete Mechanism SW 45,5Cm X SD 40Cm		1
5		1530227	Cross Brace Complete Mechanism SW 48Cm X SD 40Cm		1
6		1530228	Cross Brace Complete Mechanism SW 50,5Cm X SD 40Cm		1
7		1530607	Cross Brace Complete Mechanism SW 38Cm X SD 45Cm		1
8		1530608	Cross Brace Complete Mechanism SW 40,5Cm X SD 45Cm		1
9		1530609	Cross Brace Complete Mechanism SW 43Cm X SD 45Cm		1
10		1530610	Cross Brace Complete Mechanism SW 45,5Cm X SD 45Cm		1
11		1530611	Cross Brace Complete Mechanism SW 48Cm X SD 45Cm		1
12		1530612	Cross Brace Complete Mechanism SW 50,5Cm X SD 45Cm		1
13		1431307	Seat end cap kit		2
14		1532556	Cross brace axle kit		1
15		1431306	Cross brace strut SW38-43		2
16		1430872	Cross brace strut SW45.5-50.5		2
17		1431305	Crossbrace sleeve		2

# Seat Upholstery

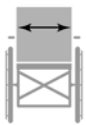



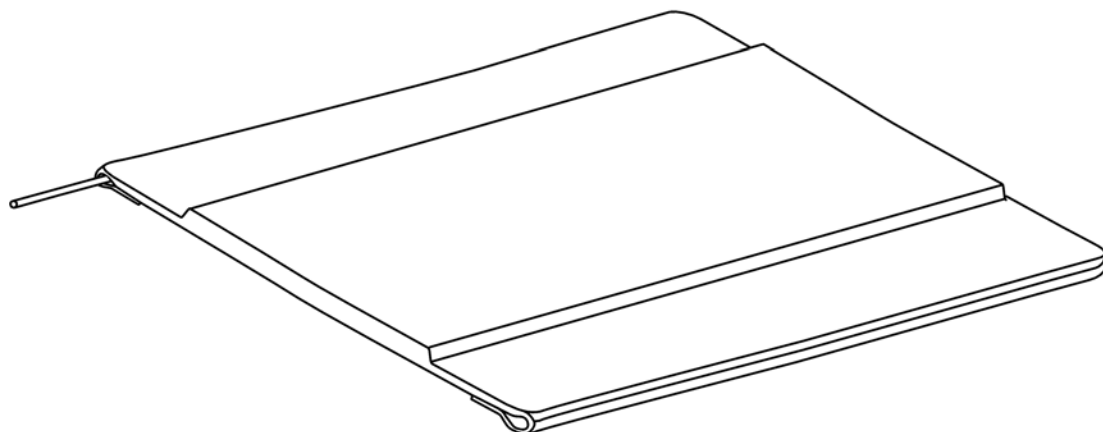
	40 cm	45 cm
38 cm	1	7
40,5 cm	2	8
43 cm	3	9
45,5 cm	4	10
48 cm	5	11
50,5 cm	6	12

	40 cm	45 cm
38 cm	13	19
40,5 cm	14	20
43 cm	15	21
45,5 cm	16	22
48 cm	17	23
50,5 cm	18	24

Pos.	P number	Description	Valid from → until	Qty
1	1428840	Basic Seat Upholstery W 38Cm X D 40Cm		1
2	1428841	Basic Seat Upholstery W 40,5Cm X D 40Cm		1
3	1428842	Basic Seat Upholstery W 43Cm X D 40Cm		1
4	1428843	Basic Seat Upholstery W 45,5Cm X D 40Cm		1
5	1428844	Basic Seat Upholstery W 48Cm X D 40Cm		1
6	1428845	Basic Seat Upholstery W 50,5Cm X D 40Cm		1
7	1428846	Basic Seat Upholstery W 38Cm X D 45Cm		1
8	1428847	Basic Seat Upholstery W 40,5Cm X D 45Cm		1
9	1428848	Basic Seat Upholstery W 43Cm X D 45Cm		1
10	1428849	Basic Seat Upholstery W 45,5Cm X D 45Cm		1
11	1428850	Basic Seat Upholstery W 48Cm X D 45Cm		1
12	1428851	Basic Seat Upholstery W 50,5Cm X D 45Cm		1
13	1428852	Standard Seat Upholstery W 38Cm X D 40Cm		1
14	1428853	Standard Seat Upholstery W 40,5Cm X D 40Cm		1
15	1428854	Standard Seat Upholstery W 43Cm X D 40Cm		1
16	1428855	Standard Seat Upholstery W 45,5Cm X D 40Cm		1
17	1428856	Standard Seat Upholstery W 48Cm X D 40Cm		1
18	1428857	Standard Seat Upholstery W 50,5Cm X D 40Cm		1
19	1428858	Standard Seat Upholstery W 38Cm X D 45Cm		1
20	1428859	Standard Seat Upholstery W 40,5Cm X D 45Cm		1
21	1428860	Standard Seat Upholstery W 43Cm X D 45Cm		1
22	1428861	Standard Seat Upholstery W 45,5Cm X D 45Cm		1
23	1428862	Standard Seat Upholstery W 48Cm X D 45Cm		1
24	1428863	Standard Seat Upholstery W 50,5Cm X D 45Cm		1

## Padded Seats Upholsteries

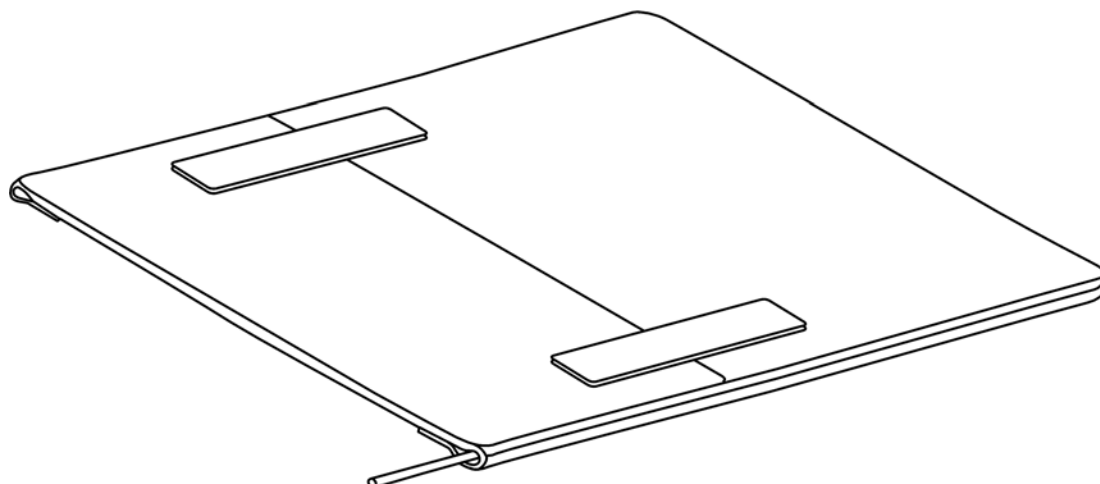
	40 cm		45 cm
38 cm	1		7
40,5 cm	2		8
43 cm	3		9
45,5 cm	4		10
48 cm	5		11
50,5 cm	6		12



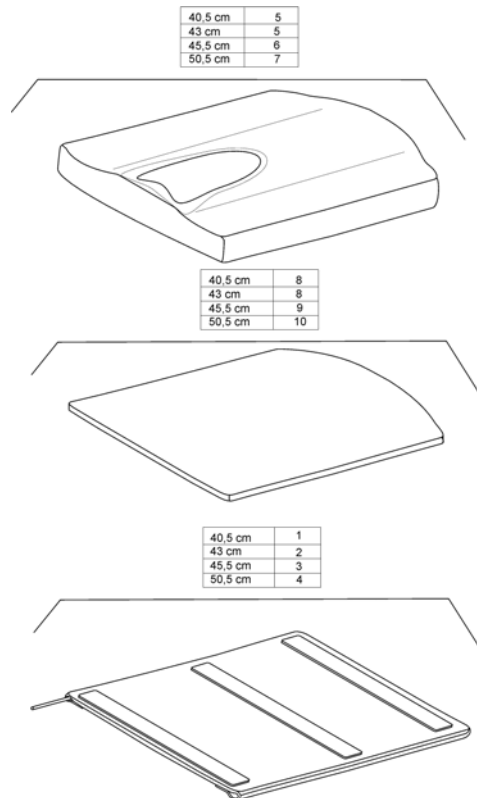
Pos.	P number	Description	Valid from → until	Qty
1	1428864	Padded Seat Upholstery W 38Cm X D 40Cm		1
2	1428865	Padded Seat Upholstery W 40,5Cm X D 40Cm		1
3	1428866	Padded Seat Upholstery W 43Cm X D 40Cm		1
4	1428867	Padded Seat Upholstery W 45,5Cm X D 40Cm		1
5	1428868	Padded Seat Upholstery W 48Cm X D 40Cm		1
6	1428869	Padded Seat Upholstery W 50,5Cm X D 40Cm		1
7	1428870	Padded Seat Upholstery W 38Cm X D 45Cm		1
8	1428871	Padded Seat Upholstery W 40,5Cm X D 45Cm		1
9	1428872	Padded Seat Upholstery W 43Cm X D 45Cm		1
10	1428873	Padded Seat Upholstery W 45,5Cm X D 45Cm		1
11	1428874	Padded Seat Upholstery W 48Cm X D 45Cm		1
12	1428875	Padded Seat Upholstery W 50,5Cm X D 45Cm		1

## Adjustable Depth Seat Upholstery

38 cm	1
40,5 cm	2
43 cm	3
45,5 cm	4
48 cm	5
50,5 cm	6

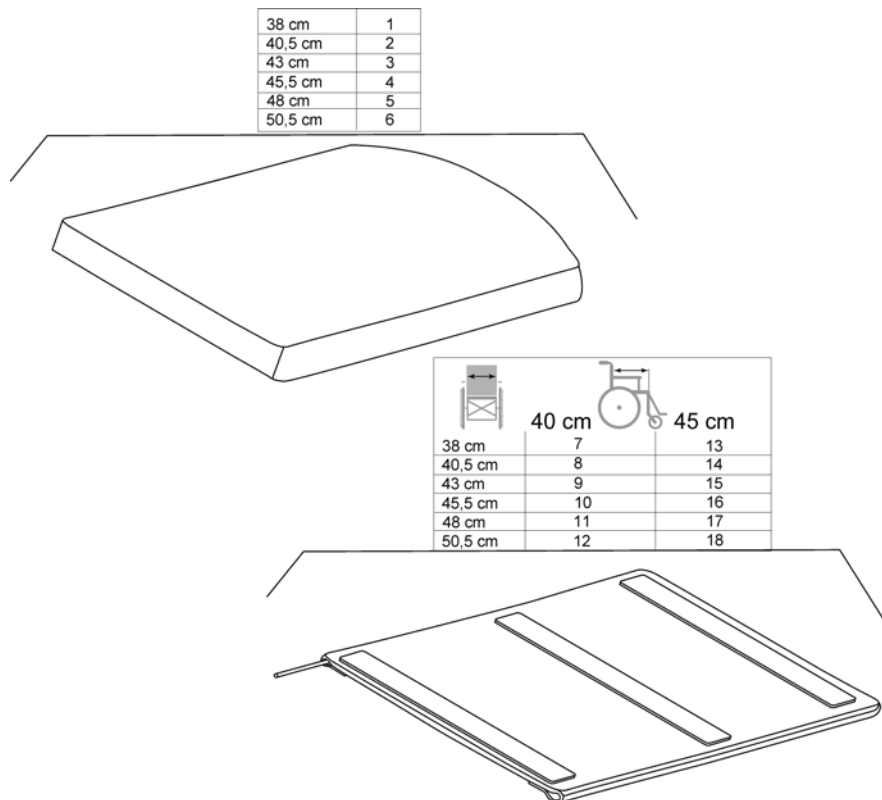


Pos.	P number	Description	Valid from → until	Qty
1	1437580	Seat Upholstery 38/40-45, Sling Adj.		1
2	1437581	Seat Upholstery 40.5/40-45, Sling Adj.		1
3	1437582	Seat Upholstery 43/40-45, Sling Adj.		1
4	1437583	Seat Upholstery 45.5/40-45, Sling Adj.		1
5	1437584	Seat Upholstery 48/40-45, Sling Adj.		1
6	1437585	Seat Upholstery 50.5/40-45, Sling Adj.		1



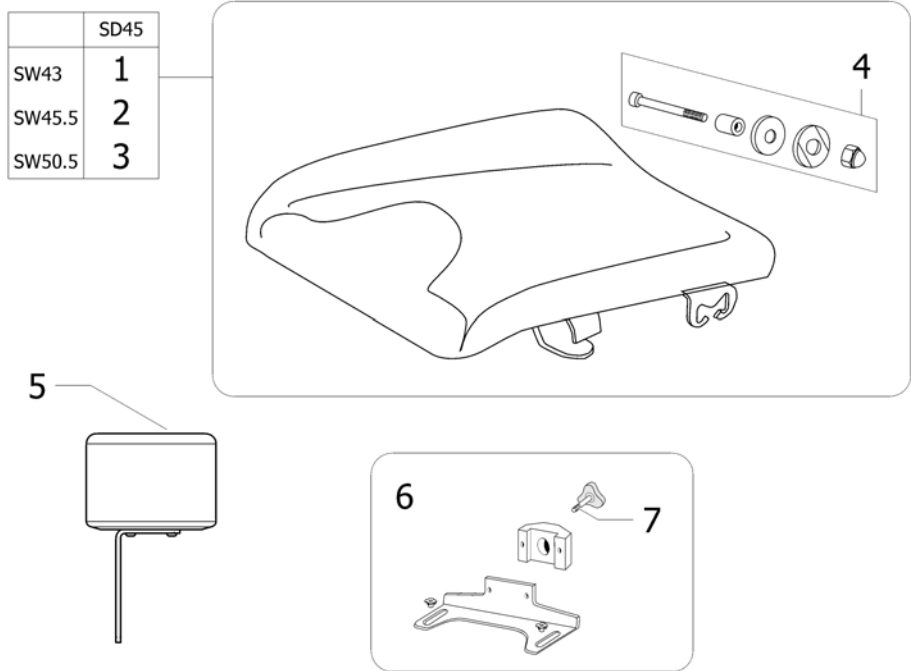
Pos.	P	number	Description	Valid from → until	Qty
1		1440918	Comfort Seat Upholstery W 40,5Cm X D 45 Cm		1
2		1440919	Comfort Seat Upholstery W 43Cm X D 45 Cm		1
3		1440920	Comfort Seat Upholstery W 45,5Cm X D 45 Cm		1
4		1440921	Comfort Seat Upholstery W 50,5Cm X D 45 Cm		1
5		5255329-TR23	Comfort Cushion W 40,5/43Cm X D 45 Cm		1
7		5255331-TR23	Comfort Cushion W 50,5Cm X D 45 Cm		1
8		1437605	Cushion Board W 40,5/43Cm X D 45 Cm		1
9		1437606	Cushion Board W 45,5Cm X D 45 Cm		1
10		1437607	Cushion Board W 50,5Cm X D 45 Cm		1

## Padded Seats Upholsteries And Mistral Cushions



Pos.	P	number	Description	Valid from → until	Qty
1		1450115	Mistral 2 Layer Cushion W 38Cm X D 45Cm		1
2		1450116	Mistral 2 Layer Cushion W 40,5Cm X D 45Cm		1
3		1450117	Mistral 2 Layer Cushion W 43Cm X D 45Cm		1
4		1450118	Mistral 2 Layer Cushion W 45,5Cm X D 45Cm		1
5		1450119	Mistral 2 Layer Cushion W 48Cm X D 45Cm		1
6		1450120	Mistral 2 Layer Cushion W 50,5Cm X D 45Cm		1
7		1450067	Comfort Seat Upholstery W 38Cm X D 40Cm		1
8		1450068	Comfort Seat Upholstery W 40,5Cm X D 40Cm		1
9		1450069	Comfort Seat Upholstery W 43Cm X D 40Cm		1
10		1450070	Comfort Seat Upholstery W 45,5Cm X D 40Cm		1
11		1450071	Comfort Seat Upholstery W 48Cm X D 40Cm		1
12		1450072	Comfort Seat Upholstery W 50,5Cm X D 40Cm		1
13		1450123	Comfort Seat Upholstery W 38Cm X D 45Cm		1
14		1440918	Comfort Seat Upholstery W 40,5Cm X D 45 Cm		1
15		1440919	Comfort Seat Upholstery W 43Cm X D 45 Cm		1
16		1440920	Comfort Seat Upholstery W 45,5Cm X D 45 Cm		1
17		1450124	Comfort Seat Upholstery W 48Cm X D 45Cm		1
18		1440921	Comfort Seat Upholstery W 50,5Cm X D 45 Cm		1

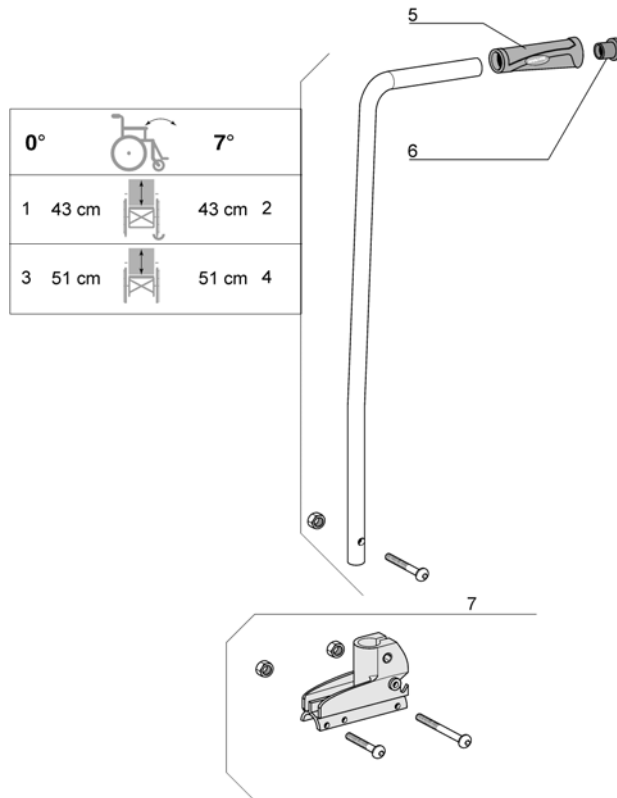
# Anatomic Seat Adjustable



ISPS1494153 ~ sps1494153

Pos.	P	number	Description	Valid from → until	Qty
1		1485159	Anatomic Seat Adjustable W 43Cm		1
2		1485160	Anatomic Seat Adjustable W 45,5Cm		1
3		1485161	Anatomic Seat Adjustable W 50,5Cm		1
4		1485535	Seat Frame Fixation		2
5		1444172	POMMEL, DARTEX BLACK		1
6		1485201	Abduction Support Kit Anatomic Seat		1
7		5221115	Knob M8 X 25		1

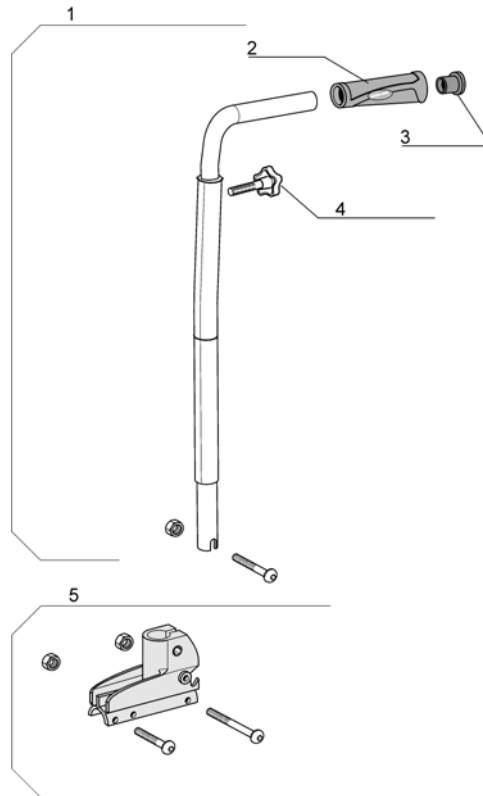
# Fixed Backrest



Pos.	P number	Description	Valid from → until	Qty
1	1430844	Backrest 0°/43Cm Cane Kit		2
2	1430846	Backrest 7°/43Cm Cane Kit		2
3	1430845	Backrest 0°/51Cm Cane Kit		2
4	1430847	Backrest 7°/51Cm Cane Kit		2
5	1425473	Invacare Push Handle <i>Replace 1435421</i>		2
6	1418112	Black cap to be inserted Ø22x15		2
7	1430848	Fixed Backrest Support Kit		2

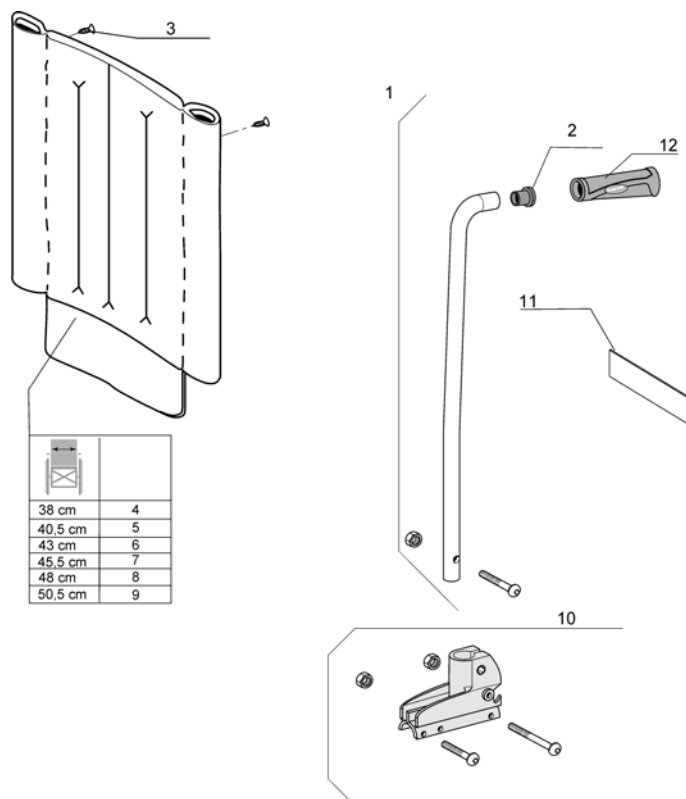


## Fixed Backrest, Height Adjustable, Push Handle



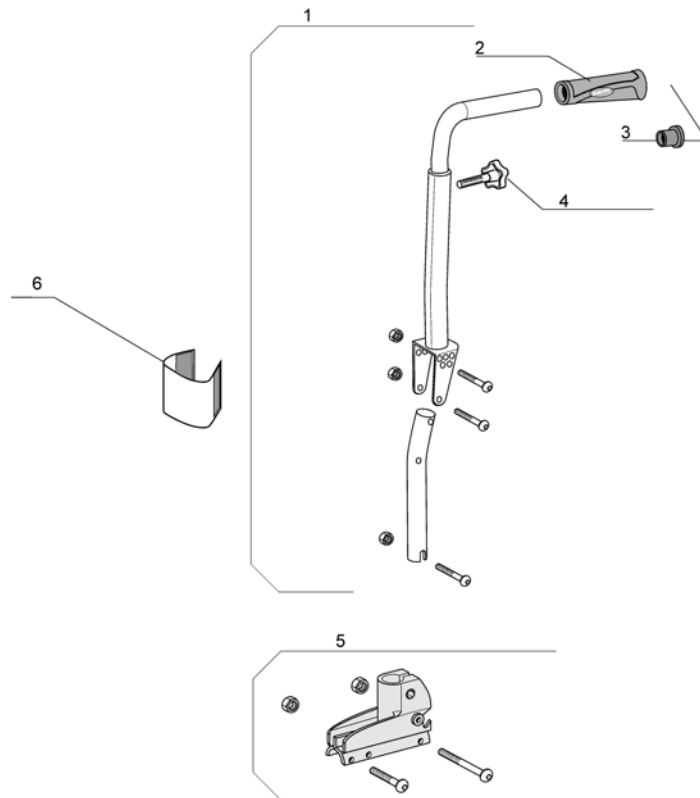
Pos.	P number	Description	Valid from → until	Qty
1	1428641-0601	Adjustable Push Handle Backrest Complete (pair)		1
2	1425473	Invacare Push Handle <i>Replace 1435421</i>		2
3	1418112	Black cap to be inserted Ø22x15		2
4	0021-60029	Button Ø32 mm M6x16		2
5	1430848	Fixed Backrest Support Kit		2

# Fixed Backrest 35 Cm Xtra



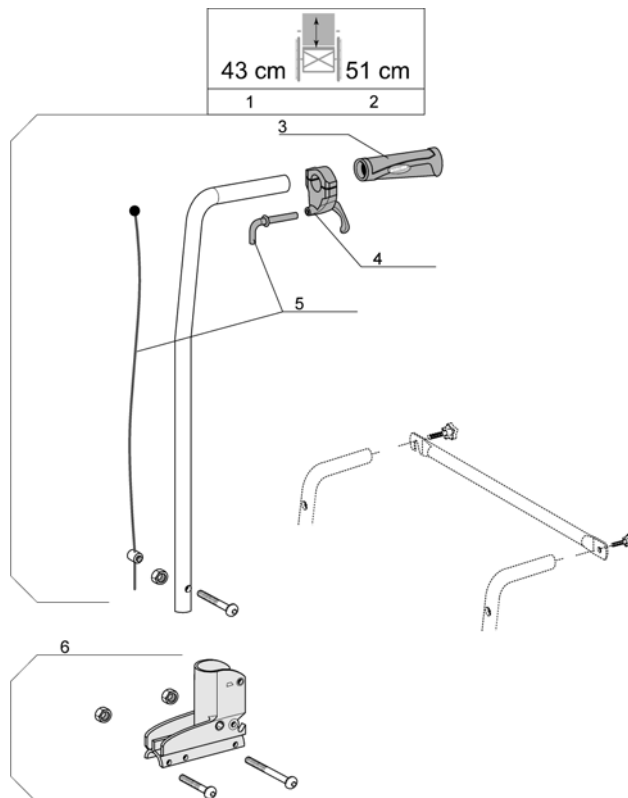
Pos.	P	number	Description	Valid from → until	Qty
1		1485911	Fixed Backrest Cane 35cm (pair)		1
2		1418112	Black cap to be inserted Ø22x15		1
3		1428603	Zinc St 4,8-20F Fbx Screw		1
4		1485913	Backrest Upholstery W 38Cm X H 35Cm		1
5		1485914	Backrest Upholstery W 40,5Cm X H 35Cm		1
6		1486038	Backrest Upholstery W 43Cm X H 35Cm		1
7		1486039	Backrest Upholstery W 45,58Cm X H 35Cm		1
8		1488128	Backrest Upholstery W 48Cm X H 35Cm		1
9		1486040	Backrest Upholstery W 50,5Cm X H 35Cm		1
10		1430848	Fixed Backrest Support Kit		1
11		1488584	Tension Adjustable Backrest Additional Strap		1
12		1425473	Invacare Push Handle <i>Replace 1435421</i>		1

## Adjustable Backrest From -6° To +24°



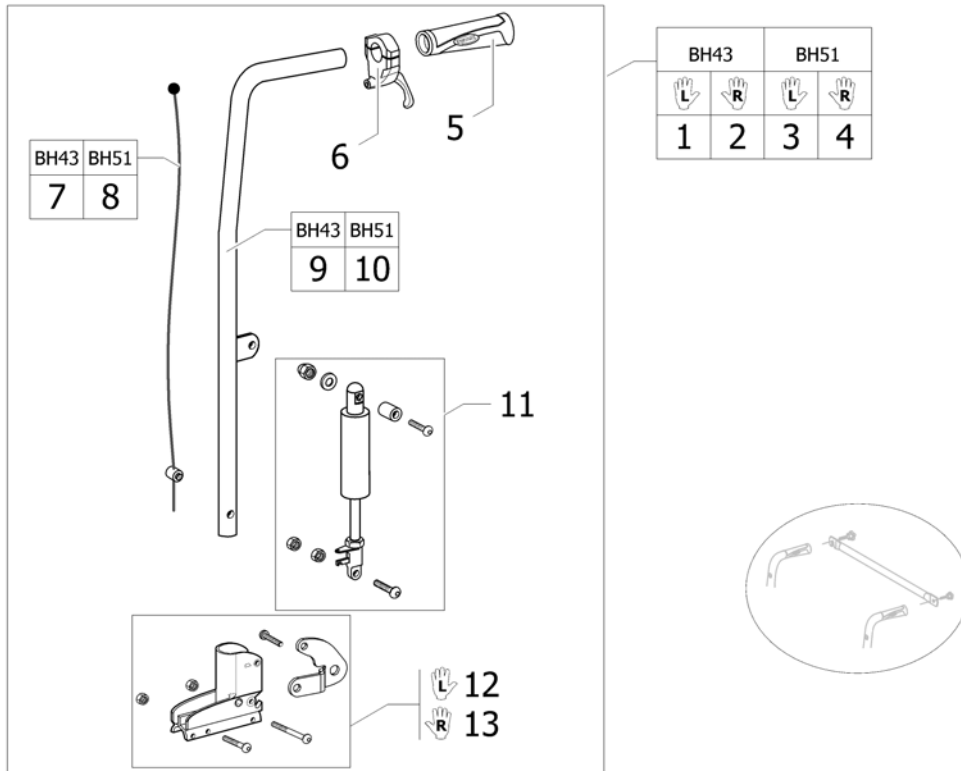
Pos.	P number	Description	Valid from → until	Qty
1	1443021	-6°/+24° Backrest Cane Kit		2
2	1425473	Invacare Push Handle <i>Replace 1435421</i>		2
3	1418112	Black cap to be inserted Ø22x15		2
4	0021-60029	Button Ø32 mm M6x16		2
5	1430848	Fixed Backrest Support Kit		2
6	1442721	Protector Of Backrest Articulation		2

## Recliner Backrest 0° To 30°, Ratchet



Pos.	P	number	Description	Valid from → until	Qty
1		1434491	Recliner backrest ratchet 0° to 30° cane kit SH35-37-39-41-43		2
2		1430849	Reclining Backrest Cane 51 Cm Complete		2
3		1425473	Invacare Push Handle <i>Replace 1435421</i>		2
4		1433747	Recliner Trigger		2
5		1430851	Recliner Cable Kit		2
6		1430850	Recliner Backrest Support Kit		2

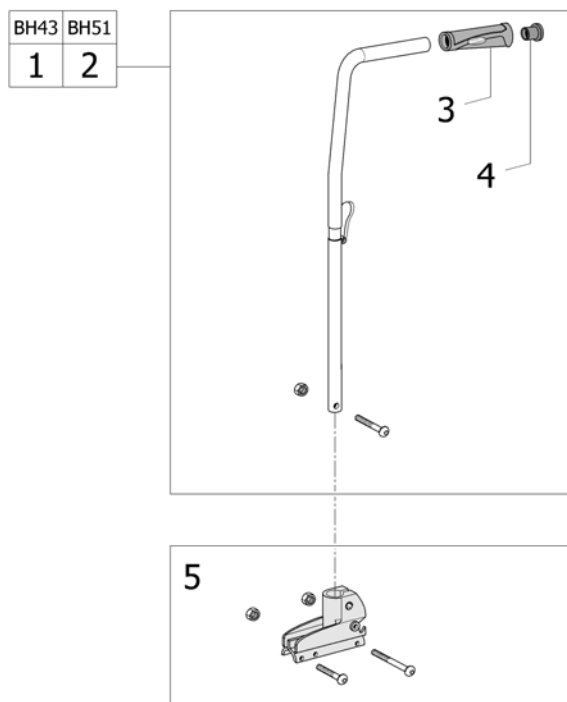
# Recliner Backrest 0° To 30°, Gaz Spring



ISPS1496087

Pos.	P	number	Description	Valid from → until	Qty
1		1442539	Reclining Lh Kit Gas Strut Backrest 43 cm		1
2		1442538	Reclining Rh Kit Gas Strut Backrest 43 cm		1
3		1442540	Reclining Lh Kit Gas Strut Backrest 51 Cm		1
4		1442534	Reclining Rh Kit Gas Strut Backrest 51 Cm		1
5		1425473	Invacare Push Handle <i>Replace 1435421</i>		2
6		1433747	Recliner Trigger		2
7		1440937	Recliner Gas Cable 43 cm		2
8		1485871	Recliner Gas Cable 51 cm		2
9		1484055-0699	Recliner Gas Tube 43 cm		2
10		1484054-0699	Recliner Gas Tube 51 Cm		2
11		1532595	Gas Strut Kit Standard Backrest <i>Replace 1433569</i>	20090317 →	2
11		1528909	Kit, Gas Spring, Laguna2 <i>Replace 1433569</i>	→ 20090316	1
12		1442513	Lh Recliner Gas Backrest Support Kit		1
13		1442507	Rh Recliner Gas Backrest Support Kit		1

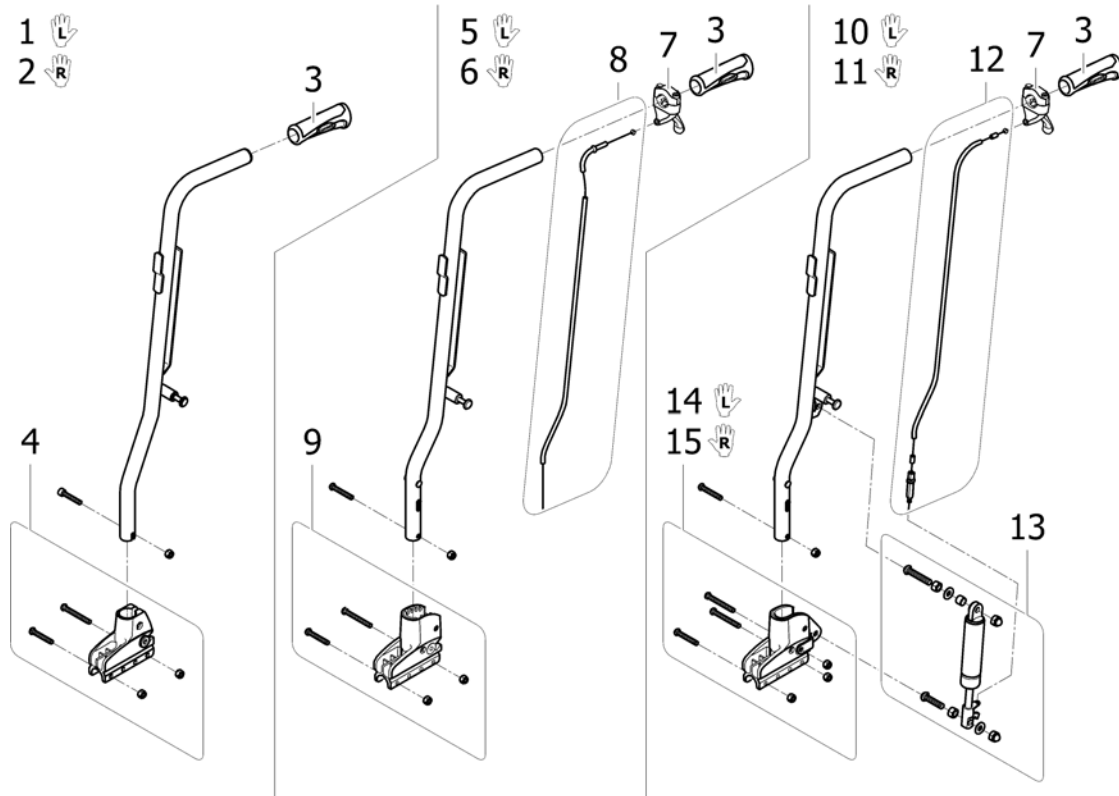
## Fold down backrest



!SPS1494160

Pos.	P number	Description	Valid from → until	Qty
1	1434492	Folding Backrest Cane 43 cm		2
2	1430852	Folding Backrest Cane 51 Cm		2
3	1425473	Invacare Push Handle <i>Replace 1435421</i>		2
4	1418112	Black cap to be inserted Ø22x15		2
5	1430848	Fixed Backrest Support Kit		2

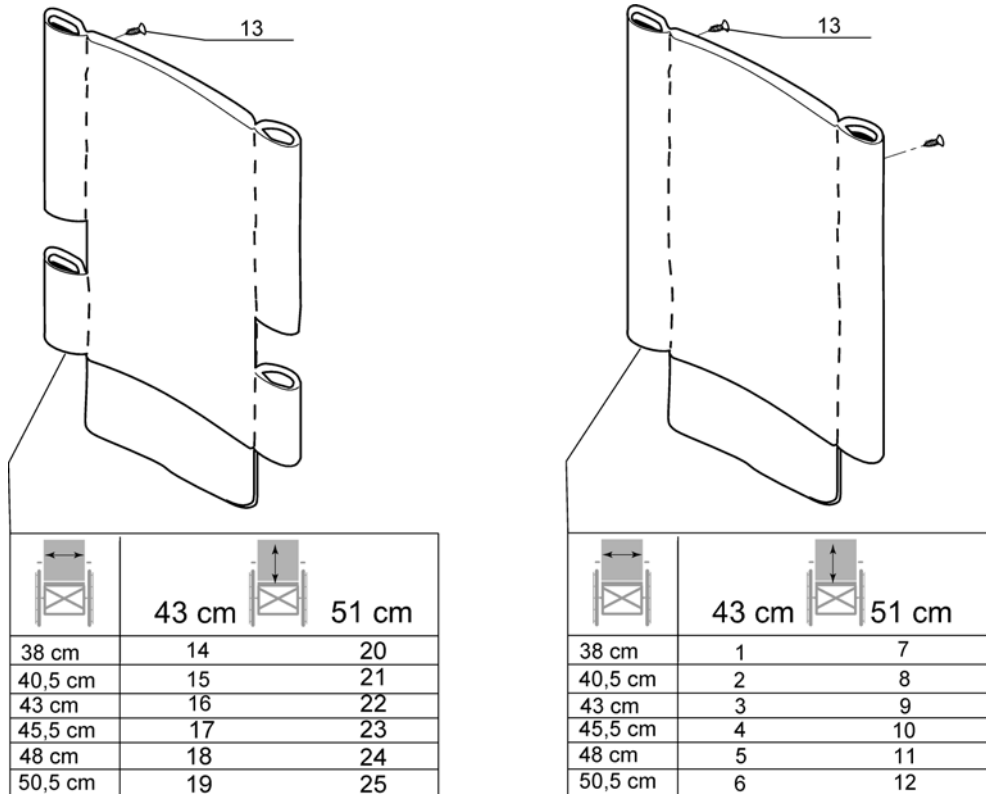
## Laguna backrests



ISPS1514263

Pos.	P	number	Description	Valid from → until	Qty
1		1515663	Kit Backrest post Laguna fixed LH + handle + support		1
2		1515662	Kit Backrest post Laguna fixed RH + handle + support		1
3		1425473	Invacare Push Handle <i>Replace 1435421</i>		2
4		1430848	Fixed Backrest Support Kit		2
5		1515661	Kit Backrest post Laguna recliner ratchet LH + handle + trigger + cable + support		1
6		1515650	Kit Backrest post Laguna recliner ratchet RH + handle + trigger + cable + support		1
7		1433747	Recliner Trigger		2
8		1430851	Recliner Cable Kit		2
9		1430850	Recliner Backrest Support Kit		2
10		1541873	Kit Backrest post Laguna recliner gas LH + handle + trigger + cable + gas spring + support		1
11		1541872	Kit Backrest post Laguna recliner gas RH + handle + trigger + cable + gas spring + support		1
12		1485871	Recliner Gas Cable 51 cm		2
13		1528909	Kit, Gas Spring, Laguna2		2
14		1442513	Lh Recliner Gas Backrest Support Kit		1
15		1442507	Rh Recliner Gas Backrest Support Kit		1

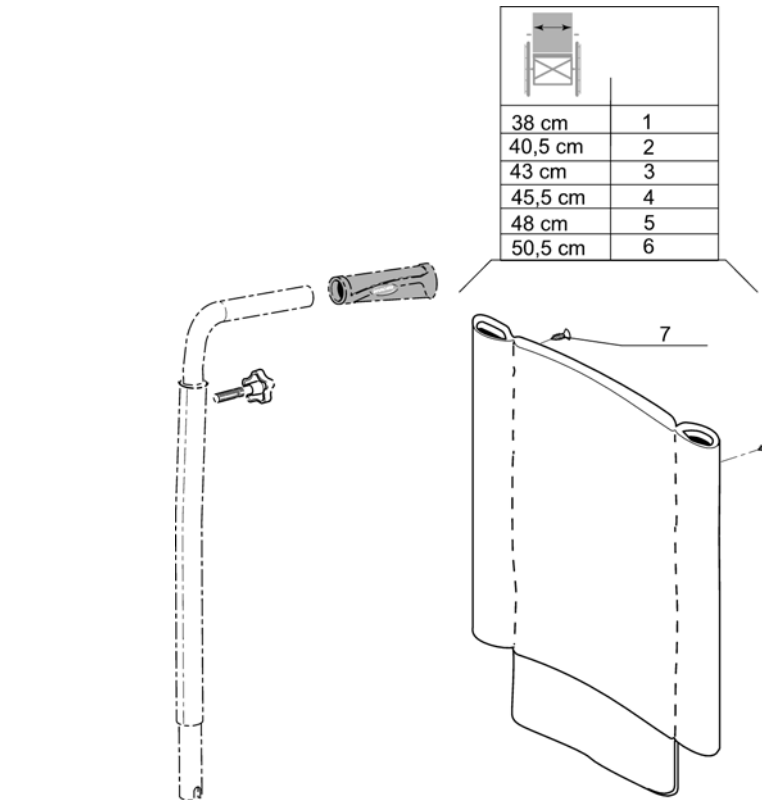
# Backrest Upholstery



Pos.	P number	Description	Valid from → until	Qty
1	1428896	Padded Backrest Upholstery W 38Cm X H 43Cm		1
2	1428897	Padded Backrest Upholstery W 40,5Cm X H 43Cm		1
3	1428898	Padded Backrest Upholstery W 43Cm X H 43Cm		1
4	1428899	Padded Backrest Upholstery W 45,5Cm X H 43Cm		1
5	1428900	Padded Backrest Upholstery W 48Cm X H 43Cm		1
6	1532615	Lombar support padded back upholstery complete SW50,5 x BH43 cm <i>Replace 1428901</i>		1
7	1428902	Padded Backrest Upholstery W 38Cm X H 51Cm		1
8	1532619	Lombar support padded back upholstery complete SW40,5 x BH51 cm <i>Replace 1428903</i>		1
9	1428904	Padded Backrest Upholstery W 43Cm X H 51Cm		1
10	1428905	Padded Backrest Upholstery W 45,5Cm X H 51Cm		1
11	1428906	Padded Backrest Upholstery W 48Cm X H 51Cm		1
12	1532623	Lombar support padded back upholstery complete SW50,5 x BH51 cm <i>Replace 1428559</i>		1
13	1428603	Zinc St 4,8-20F Fbx Screw <i>Replace 0029-40005</i>		2
14	1430291	Backrest upholstery open SW38xSD43		1
15	1430286	Backrest upholstery open SW40,5xSD43		1
16	1430287	Backrest upholstery open SW43xSD43		1
17	1430288	Backrest upholstery open SW45,5xSD43		1
18	1430289	Backrest upholstery open SW48xSD43		1
19	1430290	Hollowed Back Upholstery W 50,5Cm X H 43Cm Rec. Gas Adj.		1
20	1428560	Hollowed Back Upholstery W 38Cm X H 51Cm		1
21	1532619	Lombar support padded back upholstery complete SW40,5 x BH51 cm <i>Replace 1428561</i>		1
22	1532620	Lombar support padded back upholstery complete SW43 x BH51 cm <i>Replace 1428562</i>		1
23	1428563	Hollowed Back Upholstery W 45,5Cm X H 51Cm		1
24	1532622	Lombar support padded back upholstery complete SW48 x BH51 cm <i>Replace 1428564</i>		1
25	1532623	Lombar support padded back upholstery complete SW50,5 x BH51 cm <i>Replace 1428565</i>		1

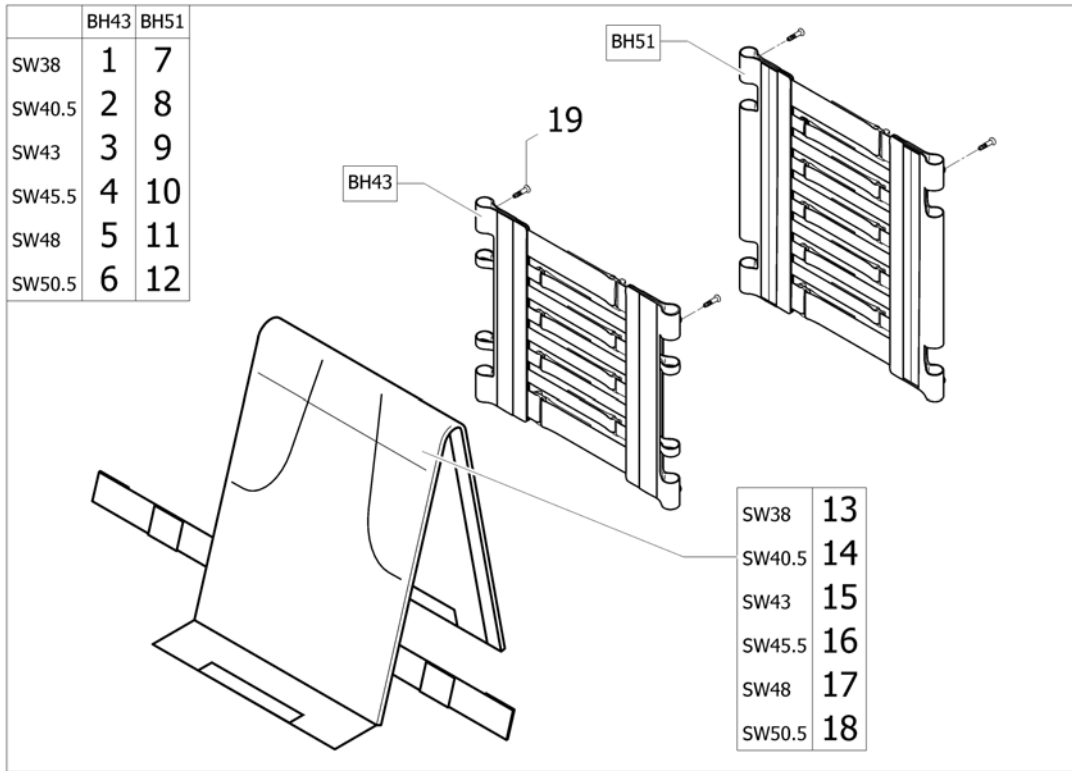


## Backrest Upholstery For Height Adjustable Backrest



Pos.	P number	Description	Valid from → until	Qty
1	1428897	Padded Backrest Upholstery W 40,5Cm X H 43Cm		1
2	1428898	Padded Backrest Upholstery W 43Cm X H 43Cm		1
3	1428899	Padded Backrest Upholstery W 45,5Cm X H 43Cm		1
4	1428900	Padded Backrest Upholstery W 48Cm X H 43Cm		1
5	1532615	Lombar support padded back upholstery complete SW50,5 x BH43 cm <i>Replace 1428901</i>		1
6	1432972	Backrest Upholstery (W 53Cm X H 43Cm) For Wheelchair W 50,5Cm		1
7	1428603	Zinc St 4,8-20F Fbx Screw <i>Replace 0029-40005</i>		2

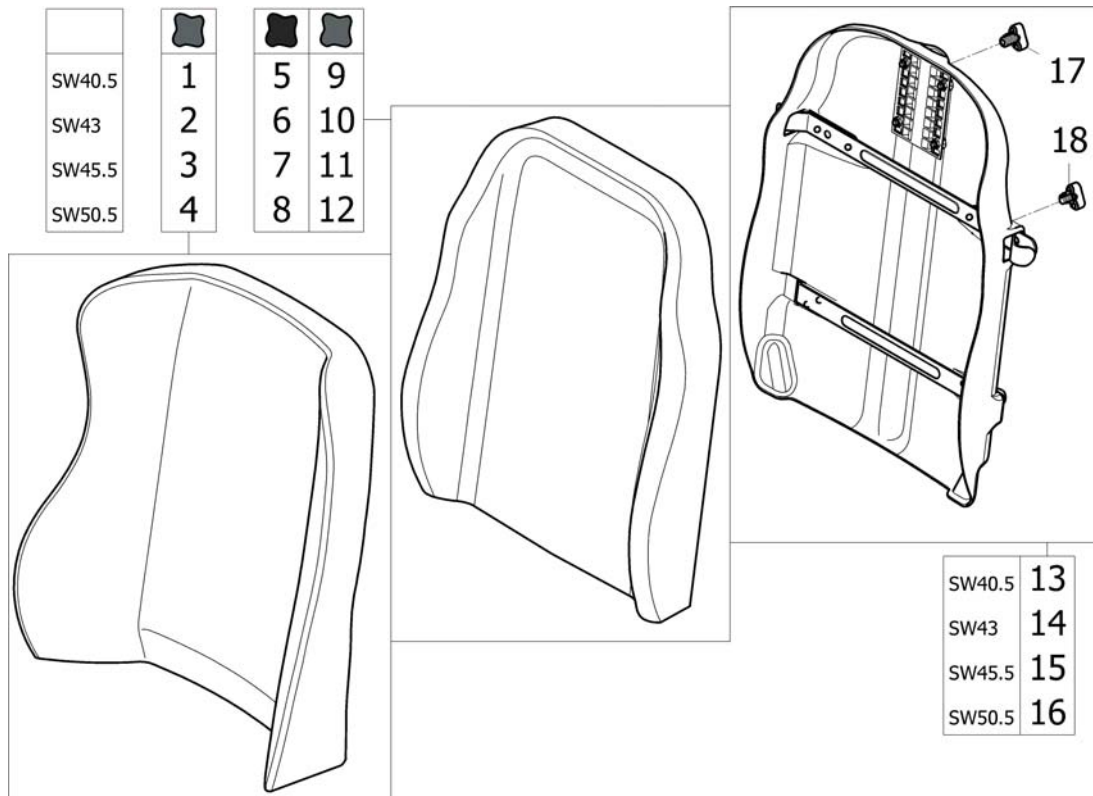
## Contour adjustable nylon type back upholstery



ISPS1535339

Pos.	P	number	Description	Valid from → until	Qty
1		1533860	Contour adjustable nylon type back upholstery complete 8 Straps 4 Loops SW38 xBH43 cm		1
2		1533861	Contour adjustable nylon type back upholstery complete 8 Straps 4 Loops SW40,5 xBH43 cm		1
3		1533862	Contour adjustable nylon type back upholstery complete 8 Straps 4 Loops SW43 xBH43 cm		1
4		1533863	Contour adjustable nylon type back upholstery complete 8 Straps 4 Loops SW45,5 xBH43 cm		1
5		1533864	Contour adjustable nylon type back upholstery complete 8 Straps 4 Loops SW48 xBH43 cm		1
6		1533865	Contour adjustable nylon type back upholstery complete 8 Straps 4 Loops SW50,5 xBH43 cm		1
7		1533866	Contour adjustable nylon type back upholstery complete 10 Straps 3 Loops SW38 xBH51 cm		1
8		1533867	Contour adjustable nylon type back upholstery complete 10 Straps 3 Loops SW40,5 xBH51 cm		1
9		1533868	Contour adjustable nylon type back upholstery complete 10 Straps 3 Loops SW43 xBH51 cm		1
10		1533869	Contour adjustable nylon type back upholstery complete 10 Straps 3 Loops SW45,5 xBH51 cm		1
11		1533870	Contour adjustable nylon type back upholstery complete 10 Straps 3 Loops SW48 xBH51 cm		1
12		1533871	Contour adjustable nylon type back upholstery complete 10 Straps 3 Loops SW50,5 xBH51 cm		1
13		1530914	Shapped cover ActionNG SW38 cm		1
14		1530915	Shapped cover ActionNG SW40,5 cm		1
15		1531053	Shapped cover ActionNG SW43 cm		1
16		1531054	Shapped cover ActionNG SW45,5 cm		1
17		1531055	Shapped cover ActionNG SW48 cm		1
18		1531056	Shapped cover ActionNG SW50,5 cm		1
19		1428603	Zinc St 4,8-20F Fbx Screw <i>Replace 0029-40005</i>		2

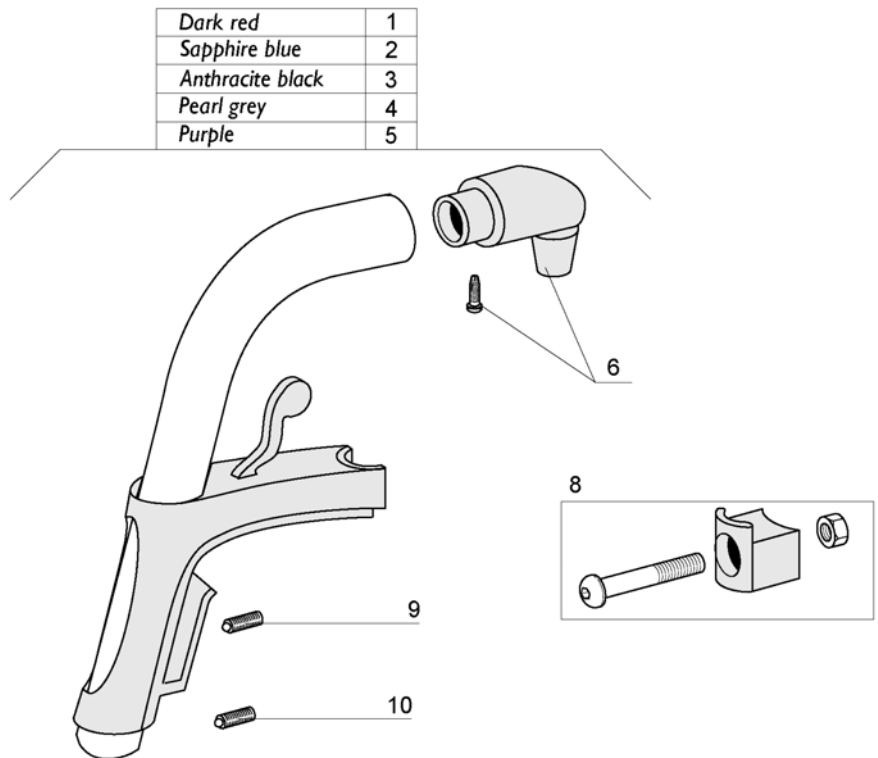
## Comfort Upholstery



ISPS1541874

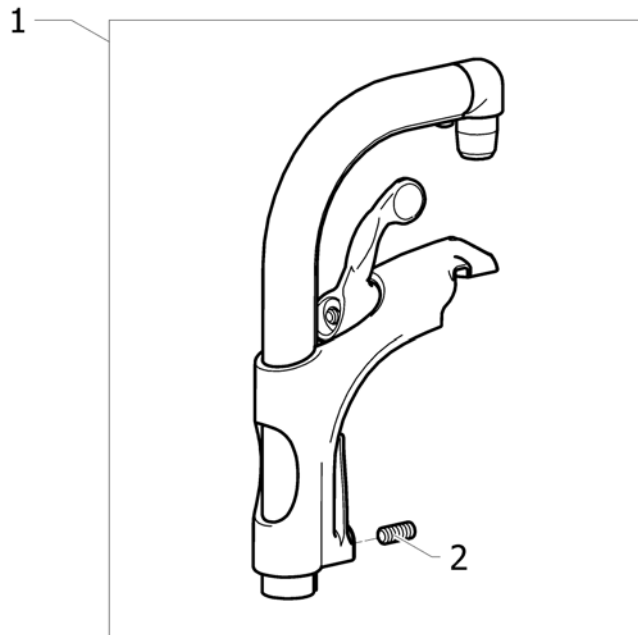
Pos.	P	number	Description	Valid from → until	Qty
1		1440951	Passad 2 Comfort Backrest Cushion (Dartex) W 40,5Cm - Xxs		1
2		1429271	Cushion, Backrest Passad2 440X550, Dartex Grey		1
3		1424647	Cushion, Backrest Passad2 470X550, Dartex Grey		1
4		1424649	Cushion, Backrest Passad2 520X550, Dartex Grey		1
5		1431516	Laguna Complet Backrest Cushion (Black Vinyl) W 40,5Cm		1
6		1420088	Laguna Complet Backrest Cushion (Black Vinyl) W 43Cm		1
7		1420089	Laguna Complet Backrest Cushion (Black Vinyl) W 45,5Cm		1
8		1420090	Laguna Complet Backrest Cushion (Black Vinyl) W 50,5Cm		1
9		1439937	CUSHION, BACKREST "LAGUNA" 340X550, DARTEX GREY		1
10		1427118	Cushion, Backrest Laguna 372X550, Dartex Grey		1
11		1427119	CUSHION, BACKREST LAGUNA 402X550, DARTEX GREY		1
12		1427120	CUSHION, BACKREST LAGUNA 452X550, TR23		1
13		1437532	Laguna Backrest Shell W 40,5Cm		1
14		1437534	Laguna Backrest Shell W 43Cm		1
15		1437536	LAGUNA BACKREST SHELL W 45,5CM		1
16		1437538	Laguna Backrest Shell W 50,5Cm		1
17		1497411	HANDWHEEL M12 LONG NECK/HEADREST <i>Replace 1444116</i>		1
18		1440943	LOCKING BUTTON M8		1

# Hanger fixed 80°



Pos.	P	number	Description	Valid from → until	Qty
1		1428622-0607	Footrest Hanger 80° Dark Red		1
2		1428622-0608	Footrest Hanger 80° Sapphire Blue		1
3		1428622-0609	Hanger 80° Anthracite		1
4		1428622-0515	Footrest hanger 80° Pearl Grey		1
5		1428622-0611	Footrest Hanger 80° Purple		1
6		1430426	Attachment Tap, Hanger		1
7		1434362	Locking House Cpl, Hanger 80 Deg <i>Replace 1442708</i>		1
8		1430427	Kit, Block A3		1
9		1424572	Stop Screw S6Ss M10x12 Din 914 Din 914/Iso 4027		1
10		1424571	Springscrew		1

## Legrest 90°, fixed

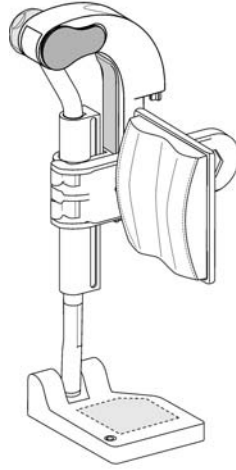


15P51306038

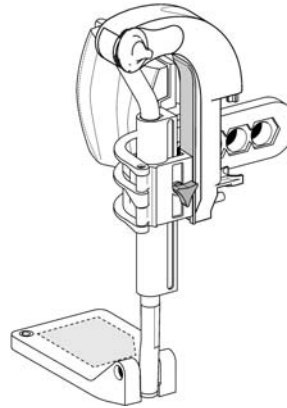
Pos.	P number	Description	Valid from → until	Qty
1	1493056-0509	HANGER FIXED 90		2
2	1424571	Springscrew		2

## Assembly Legrest, Fixed Footrest

R	
38 cm	1
40,5 cm	1
43 cm	2
45,5 cm	3
48 cm	4
50,5 cm	4



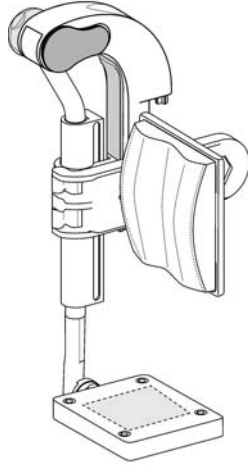
L	
38 cm	5
40,5 cm	5
43 cm	6
45,5 cm	7
48 cm	8
50,5 cm	8



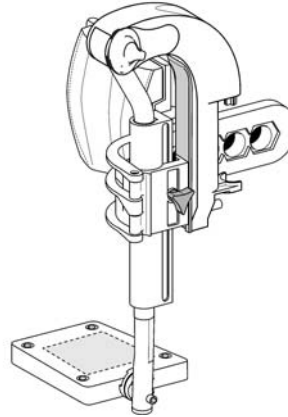
Pos.	P number	Description	Valid from → until	Qty
1	1432973	Rh Elevating Legrest + Fixed Footplate W 38/40,5Cm		1
2	1432975	Rh Elevating Legrest + Fixed Footplate W 43Cm		1
3	1432977	Rh Elevating Legrest + Fixed Footplate W 45,5Cm		1
4	1432979	Rh Elevating Legrest + Fixed Footplate W 48/50,5Cm		1
5	1432974	Lh Elevating Legrest + Fixed Footplate W 38/40,5Cm		1
6	1432976	Lh Elevating Legrest + Fixed Footplate W 43Cm		1
7	1432978	Lh Elevating Legrest + Fixed Footplate W 45,5Cm		1
8	1432980	Lh Elevating Legrest + Fixed Footplate W 48/50,5Cm		1

## Assembly Legrest, Adjustable Footrest

R	
38 cm	1
40,5 cm	2
43 cm	3
45,5 cm	4
48 cm	5
50,5 cm	6

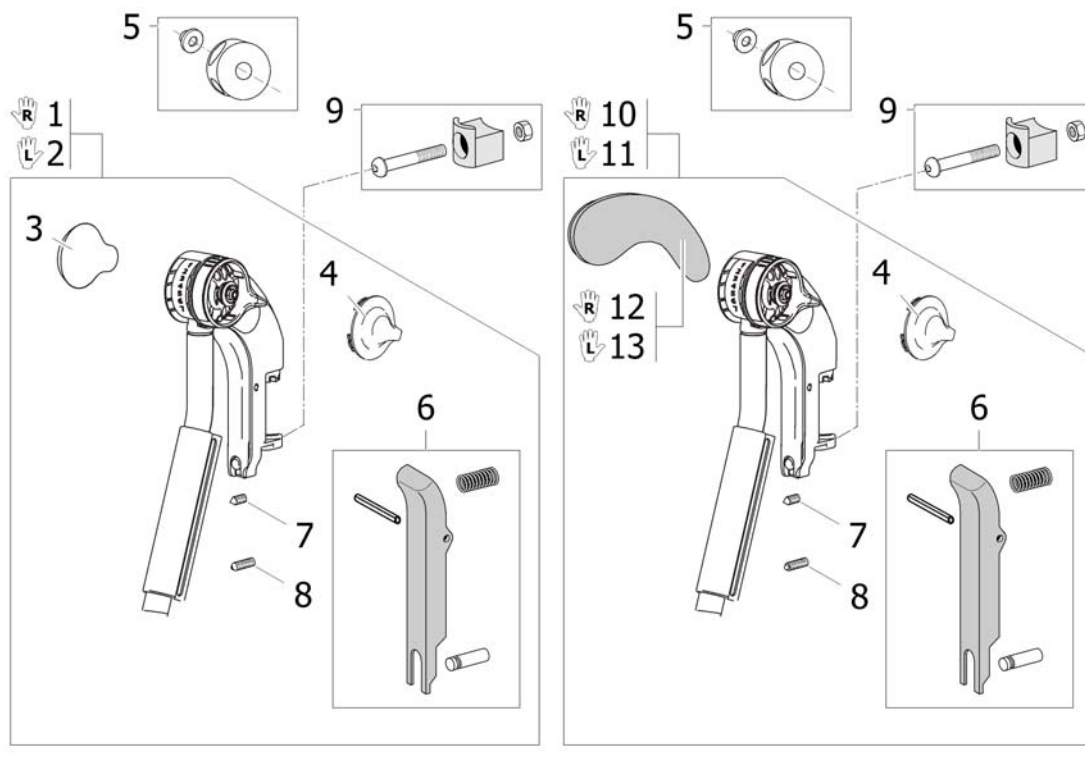


L	
38 cm	7
40,5 cm	8
43 cm	9
45,5 cm	10
48 cm	11
50,5 cm	12



Pos.	P number	Description	Valid from → until	Qty
1	1432981	Rh Elevating Legrest + Adjustable Footplate W 38Cm		1
2	1432983	Rh Elevating Legrest + Adjustable Footplate W 40,5Cm		1
3	1432985	Rh Elevating Legrest + Adjustable Footplate W 43Cm		1
4	1432947	Rh Elevating Legrest + Adjustable Footplate W 45,5Cm		1
5	1432949	Rh Elevating Legrest + Adjustable Footplate W 48Cm		1
6	1432965	Rh Elevating Legrest + Adjustable Footplate W 50,5Cm		1
7	1432982	Lh Elevating Legrest + Adjustable Footplate W 38Cm		1
8	1432984	Lh Elevating Legrest + Adjustable Footplate W 40,5Cm		1
9	1432986	Lh Elevating Legrest + Adjustable Footplate W 43Cm		1
10	1432948	Lh Elevating Legrest + Adjustable Footplate W 45,5Cm		1
11	1432964	Lh Elevating Legrest + Adjustable Footplate W 48Cm		1
12	1432971	Lh Elevating Legrest + Adjustable Footplate W 50,5Cm		1

# Adjustable Legrest

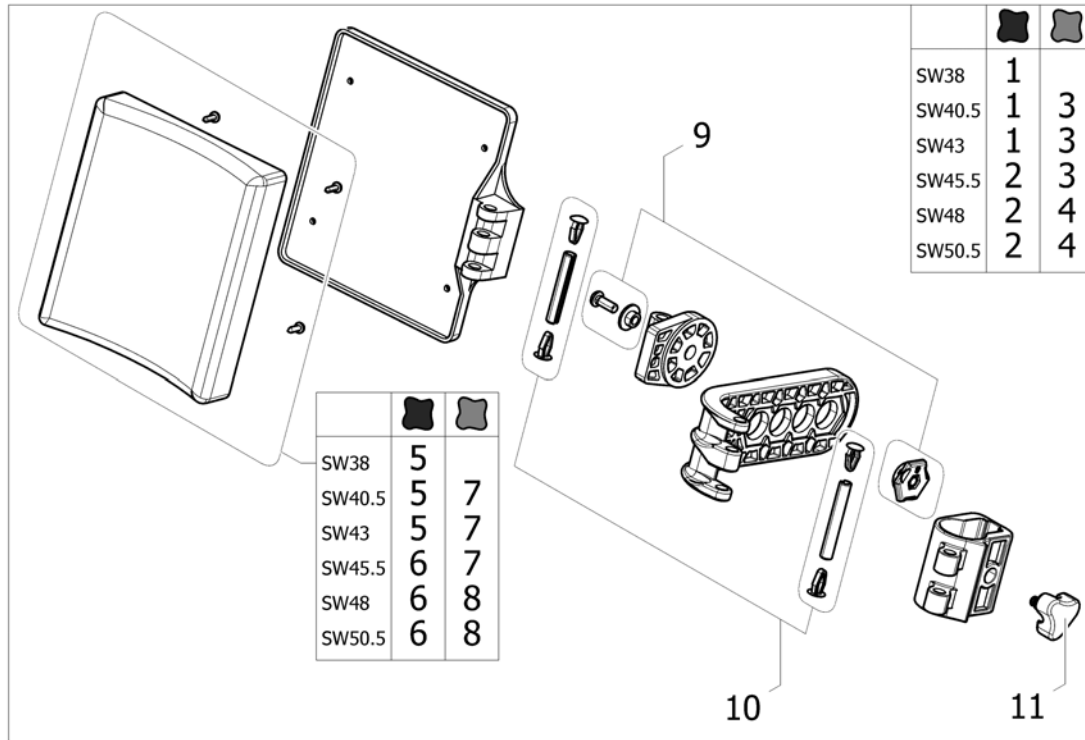


ISPS1496336

Pos.	P	number	Description	Valid from → until	Qty
1		1508948	Hanger, Cpl Right <i>Replace 1428370</i>		1
2		1508945	Hanger, Cpl Left <i>Replace 1428371</i>		1
3		1428336	Knee Pad		2
4		1508943	Cap, Alu2008 Legrest		2
5		1430428	Knob (Alu2003)		2
6		1430429	Legrest Trigger Kit		2
7		1424572	Stop Screw S6Ss M10x12 Din 914 Din 914/Iso 4027		2
8		1424571	Springscrew		2
9		1430427	Kit, Block A3		2
10		1513006	HANGER ALU2008, AA, RIGHT, CPL <i>Replace 1445809-0509</i>		1
11		1513007	HANGER ALU2008, AA, LEFT, CPL <i>Replace 1445810-0509</i>		1
12		1445808	Rh Knee Protection Dartex + Screws		1
13		1445807	Lh Knee Protection Dartex + Screws		1

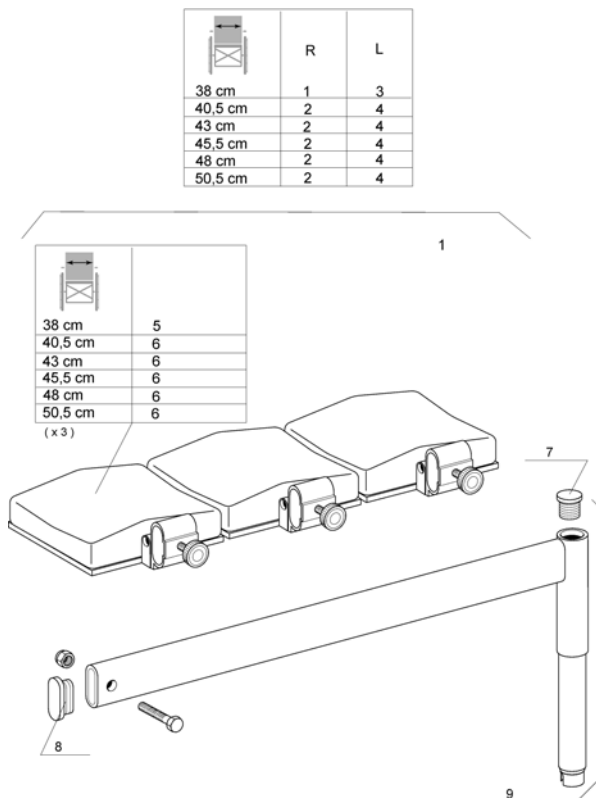


# Calf Pad



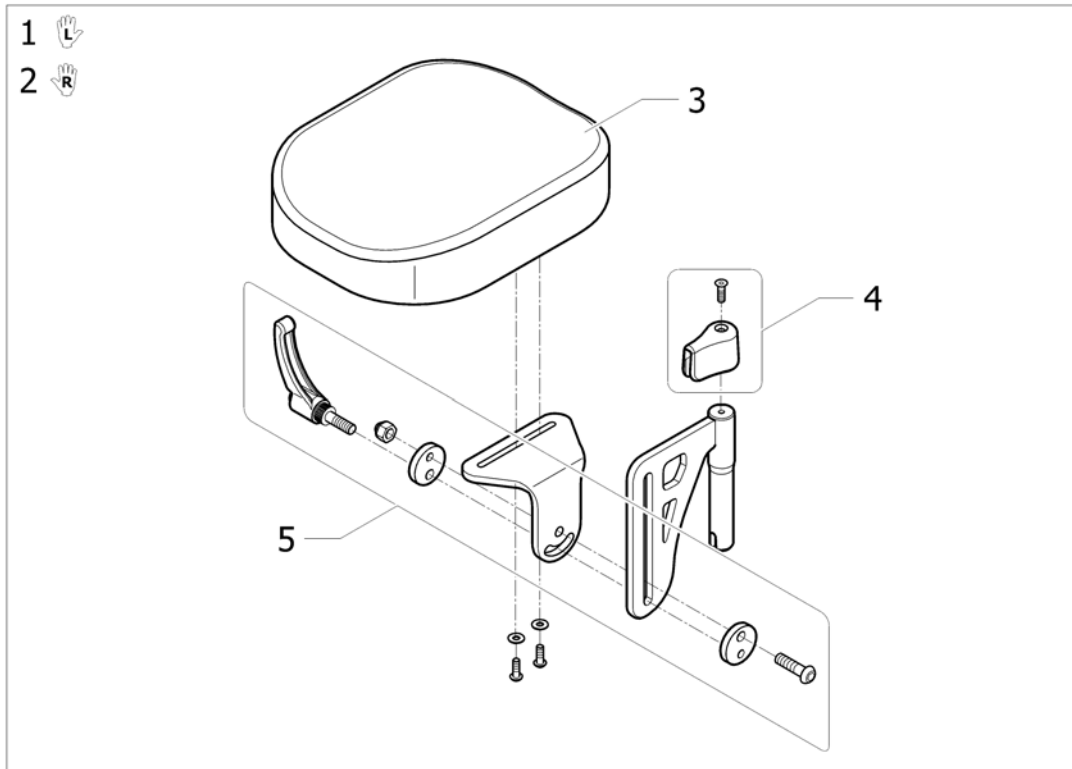
Pos.	P number	Description	Valid from → until	Qty
1	1450932	Complete Polyurethane calf pad (cushion with support) SW38/40.5/43		2
2	1450933	Complete Polyurethane calf pad (cushion with support) SW45.5/48/50.5		2
3	1450934	Complete Dartex calf pad (cushion with support) SW40.5/43/45.5	→ 20081231	2
4	1450935	Complete Dartex calf pad (cushion with support) SW48/50.5	→ 20081231	2
5	1430430	Polyurethane calf pad cushion with fixation SW38/40.5/43		2
6	1430431	Polyurethane calf pad cushion with fixation SW45.5/48/50.5		2
7	1442645	Dartex calf pad cushion with fixation SW40.5/43/45.5	→ 20081231	2
8	1442646	Dartex calf pad cushion with fixation SW48/50.5	→ 20081231	2
9	1440132	Kit fixation angle adjustable calf pad		2
10	1430432	Kit articulations pins calf pad		2
11	1440943	LOCKING BUTTON M8		2

# Plaster Legrest Complete



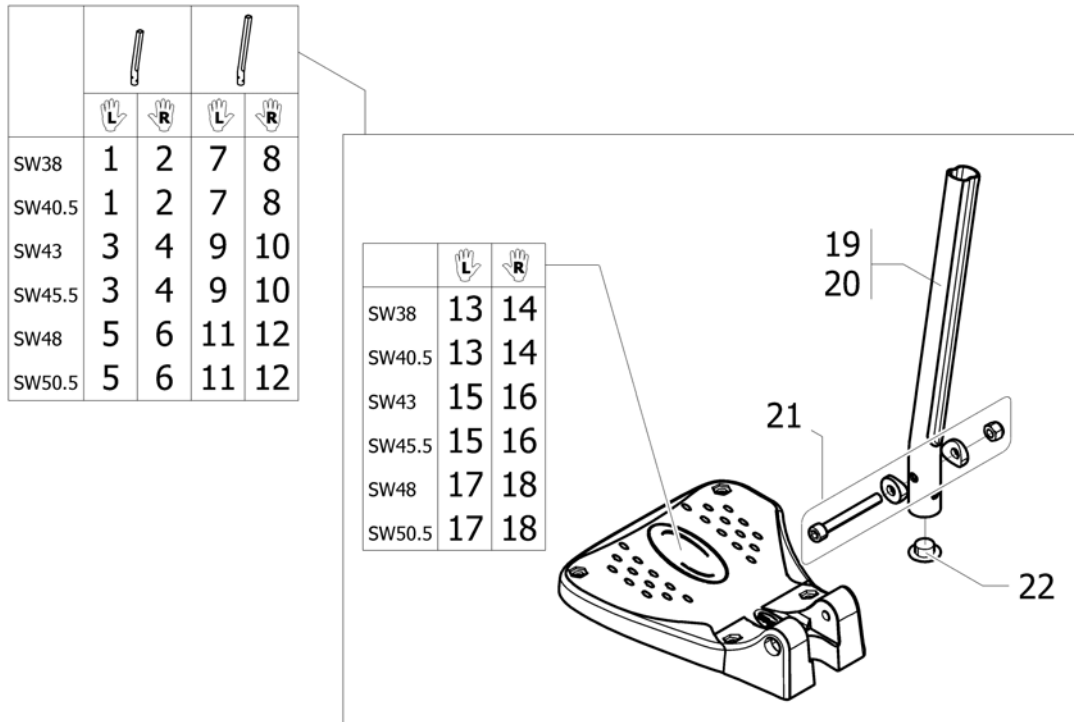
Pos.	P number	Description	Valid from → until	Qty
1	1432612	Rh Plaster Legrest Complete W 38Cm	→ 20061231	1
2	1432613	Rh Plaster Legrest Complete W 40,5 To 50,5Cm	→ 20061231	1
3	1443244	Lh Plaster Legrest Complete W 38Cm	→ 20061231	1
4	1443245	Lh Plaster Legrest Complete W 40,5 To 50,5Cm	→ 20061231	1
5	1403981	Complete Legrest cushion width 38 cm	→ 20061231	2
6	1403982	Complete legrest cushion width 41 cm	→ 20061231	2
7	0021-20003	Black 18 x 1.5 mm cylindrical cap	→ 20061231	2
8	5716498	Plastic cap 13 x 36 x 1.5	→ 20061231	2
9	1432614	Plaster Legrest Support Assy	→ 20061231	2

## Amputee Legrest



Pos.	P	number	Description	Valid from → until	Qty
1		1442991	LEGREST, AMPUTEE, LH		1
2		1442990	LEGREST, AMPUTEE, RH		1
3		5221090-TR03	Amputee Support Cushion		2
4		1446556	Amputee Support Stop + Fixation		2
5		1446557	Amputee Support Slide Fixation Kit		2

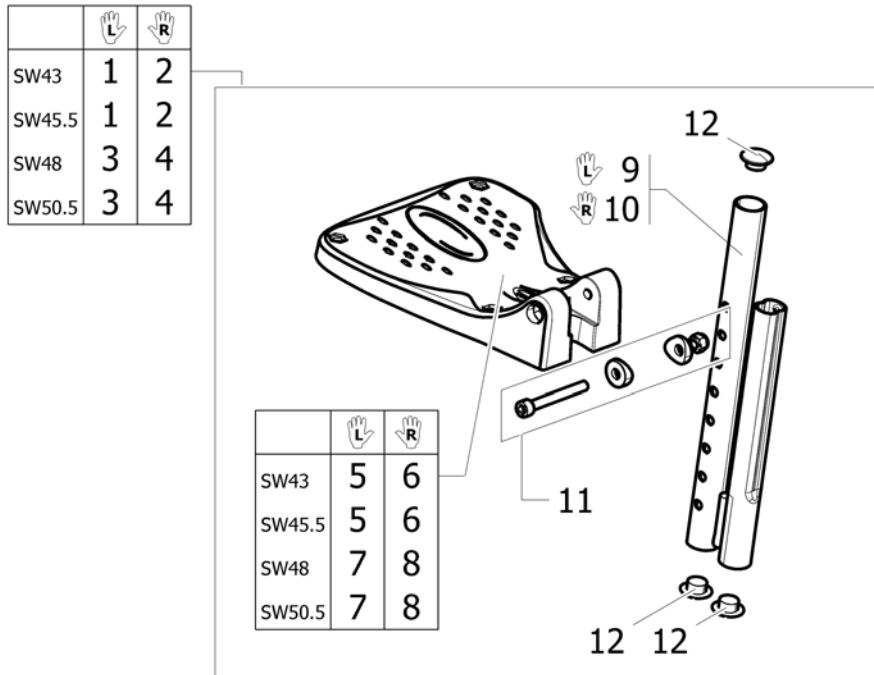
# Footrest



89513303

Pos.	P	number	Description	Valid from → until	Qty
1		1530620	Lh Standard Footrest SW 38Cm/40,5Cm - Short Lower Tube		1
2		1530614	Rh Standard Footrest Sw 38Cm/40,5Cm - Short Lower Tube		1
3		1530622	Lh Standard Footrest SW 43Cm/45,5Cm - Short Lower Tube		1
4		1530616	Rh Standard Footrest Sw 43Cm/45,5Cm - Short Lower Tube		1
5		1530623	Lh Standard Footrest SW 48Cm/50,5Cm - Short Lower Tube		1
6		1530617	Rh Standard Footrest Sw 48Cm/50,5Cm - Short Lower Tube		1
7		1530633	Lh Standard Footrest SW 38Cm/40,5Cm - Long Lower Tube		1
8		1530630	Rh Standard Footrest Sw 38Cm/40,5Cm - Long Lower Tube		1
9		1530634	Lh Standard Footrest SW 43Cm/45,5Cm - Long Lower Tube		1
10		1530631	Rh Standard Footrest Sw 43Cm/45,5Cm - Long Lower Tube		1
11		1530635	Lh Standard Footrest SW 48Cm/50,5Cm - Long Lower Tube		1
12		1530632	Rh Standard Footrest Sw 48Cm/50,5Cm - Long Lower Tube		1
13		1529643	Fixed Footplate Ng Left 174mm (Sw38-40.5)		1
14		1529642	Fixed Footplate Ng Right 174mm (Sw38-40.5)		1
15		1529645	Fixed Footplate Ng Left 199mm (Sw43-45.5)		1
16		1529644	Fixed Footplate Ng Right 199mm (Sw43-45.5)		1
17		1529647	Fixed Footplate Ng Left 224mm (Sw48-50.5)		1
18		1529646	Fixed Footplate Ng Right 224mm (Sw48-50.5)		1
19		1434561-0010	Footrest Tube, Short		2
20		1434563-0010	Footrest Tube, Long		2
21		1430433	Screw Kit, Footrest Fixed		2
22		1424576	Plug lkpt 2017S		2

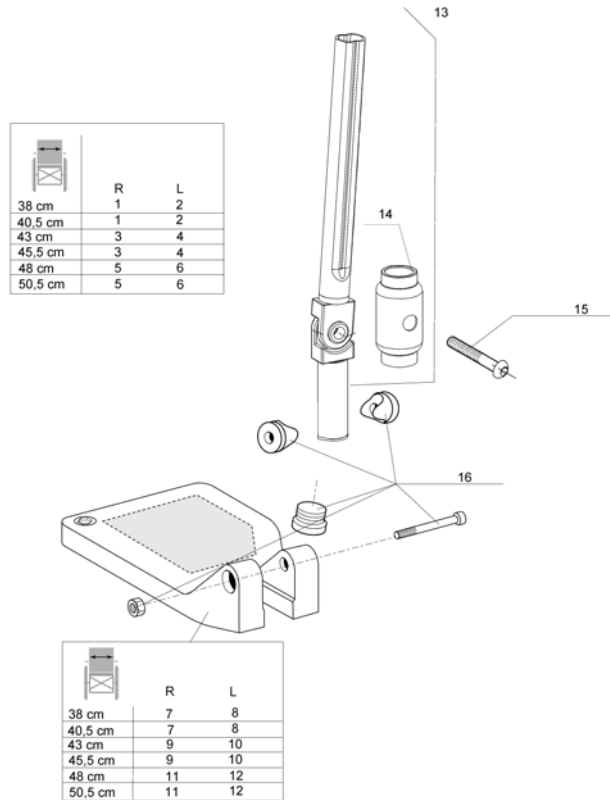
## Footrest with shorter support



8P5133711

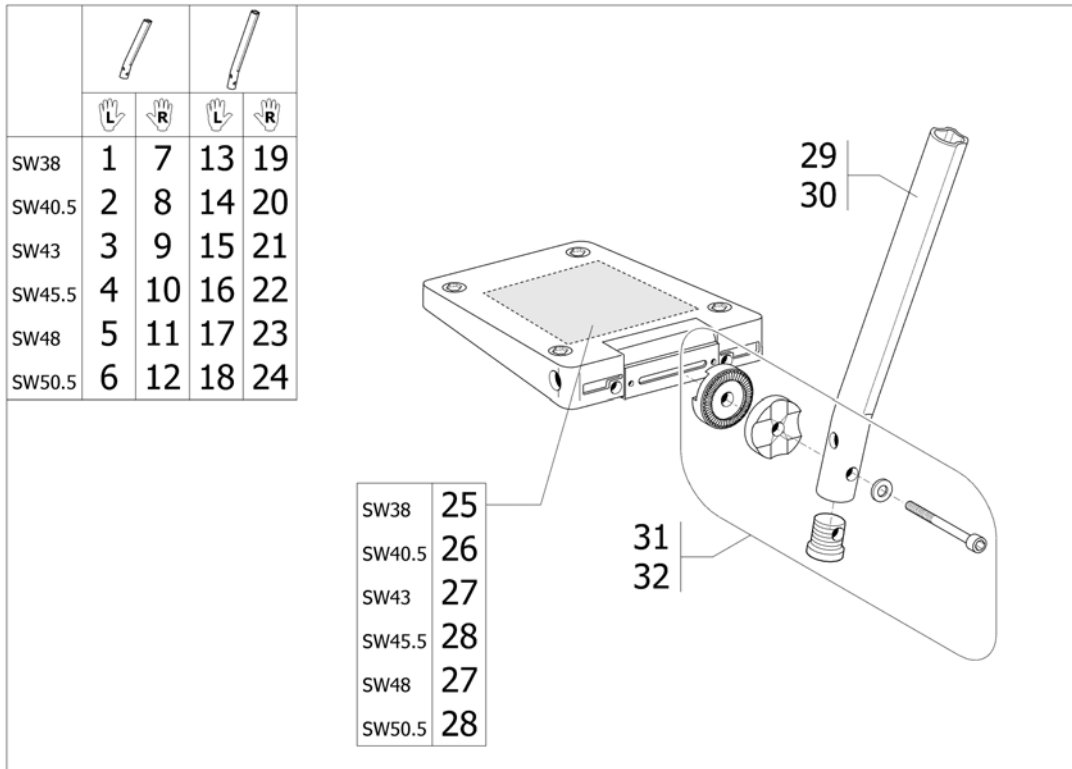
Pos.	P number	Description	Valid from → until	Qty
1	1532070	Fixed footrest with shorter support SW43-45.5 Left		1
2	1532066	Fixed footrest with shorter support SW43-45.5 Right		1
3	1532072	Fixed footrest with shorter support SW48-50.5 Left		1
4	1532068	Fixed footrest with shorter support SW48-50.5 Right		1
5	1529643	Fixed Footplate Ng Left 174mm (Sw38-40.5) <i>Replace 1428340</i>		1
6	1529642	Fixed Footplate Ng Right 174mm (Sw38-40.5) <i>Replace 1428341</i>		1
7	1529645	Fixed Footplate Ng Left 199mm (Sw43-45.5) <i>Replace 1424574</i>		1
8	1529644	Fixed Footplate Ng Right 199mm (Sw43-45.5) <i>Replace 1424575</i>		1
9	1531202-0699	Shorter footrest support Left		1
10	1531203-0699	Shorter footrest support Right		1
11	1430433	Screw Kit, Footrest Fixed		2
12	1424576	Plug lkpt 2017S		6

# Angle adjustable footrest



Pos.	P number	Description	Valid from → until	Qty
1	1530637	Rh Adjustable Footrest SW 38-40,5Cm <i>Replace 1488959</i>	→ 20100921	1
2	1530640	Lh Adjustable Footrest SW 38-40,5Cm <i>Replace 1488960</i>	→ 20100921	1
3	1530631	Rh Standard Footrest Sw 43Cm/45,5Cm - Long Lower Tube <i>Replace 1485222</i>	→ 20100921	1
4	1530641	Lh Adjustable Footrest SW 43-45,5Cm <i>Replace 1485223</i>	→ 20100921	1
5	1485224	Rh Adjustable Footrest W 44Cm-CI / 48-50,5Cm A3/A4	→ 20100921	1
6	1485225	Lh Adjustable Footrest W 44Cm-CI / 48-50,5Cm A3/A4	→ 20100921	1
7	1529642	Fixed Footplate Ng Right 174mm (Sw38-40.5) <i>Replace 1428341</i>		1
8	1529643	Fixed Footplate Ng Left 174mm (Sw38-40.5) <i>Replace 1428340</i>		1
9	1529644	Fixed Footplate Ng Right 199mm (Sw43-45.5) <i>Replace 1424575</i>		1
10	1529645	Fixed Footplate Ng Left 199mm (Sw43-45.5) <i>Replace 1424574</i>		1
11	1529646	Fixed Footplate Ng Right 224mm (Sw48-50.5) <i>Replace 1428347</i>		1
12	1529647	Fixed Footplate Ng Left 224mm (Sw48-50.5) <i>Replace 1428346</i>		1
13	1485167	FOOTREST TUBE AA, SHORT	→ 20100921	1
14	1485944	Adjustable Footrest Sleeve	→ 20100921	1
15	0029-40046	Screw CBHC M8X20		1
16	1430433	Screw Kit, Footrest Fixed		1

## Angle and depth adjustable footrest



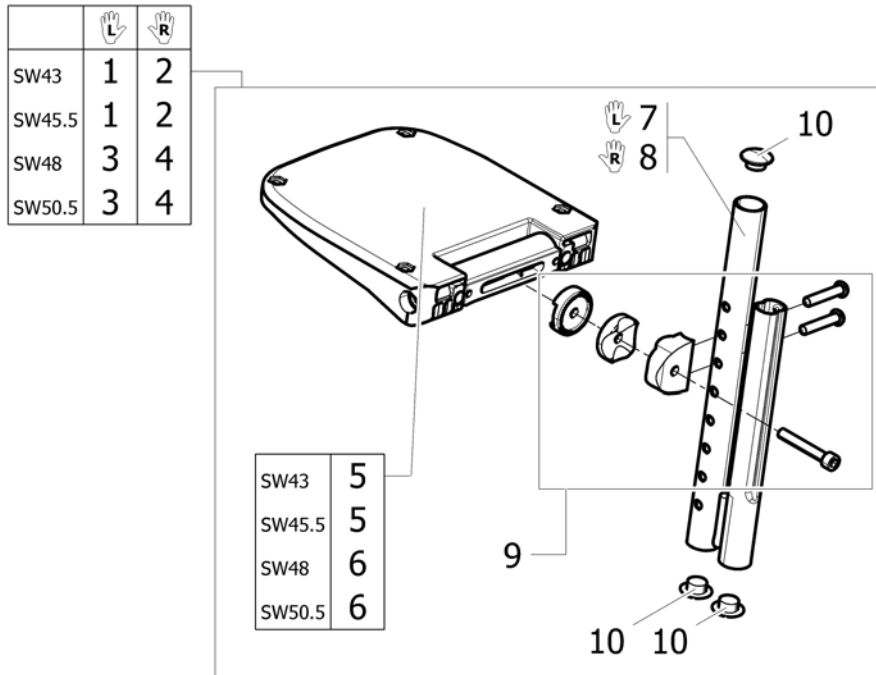
Pos.	P	number	Description	Valid from → until	Qty
1		1428657	Lh angle and depth adjustable footrest short tube SW38		1
2		1428658	Lh angle and depth adjustable footrest short tube SW40,5		1
3		1428659	Lh angle and depth adjustable footrest short tube SW43		1
4		1428660	Footplate, depth- and angleadjustable, SW46, LH, cpl., 80°		1
5		1428661	Lh angle and depth adjustable footrest short tube SW48		1
6		1428662	Lh angle and depth adjustable footrest short tube SW50,5-55,5-60,5		1
7		1428651	Rh angle and depth adjustable footrest short tube SW38		1
8		1428652	Rh angle and depth adjustable footrest short tube SW40,5		1
9		1428653	Rh angle and depth adjustable footrest short tube SW43		1
10		1428654	Footplate, depth- and angleadjustable, SW46, LH, cpl., 80°		1
11		1428655	Rh angle and depth adjustable footrest short tube SW48		1
12		1428656	Rh angle and depth adjustable footrest short tube SW50,5-55,5-60,5		1
13		1440816	Lh angle and depth adjustable footrest long tube SW38		1
14		1440817	Lh angle and depth adjustable footrest long tube SW40,5		1
15		1440818	Lh angle and depth adjustable footrest long tube SW43		1
16		1440819	Lh angle and depth adjustable footrest long tube SW45,5		1
17		1440820	Lh angle and depth adjustable footrest long tube SW48		1
18		1440821	Lh angle and depth adjustable footrest long tube SW50,5		1
19		1440810	Rh angle and depth adjustable footrest long tube SW38		1
20		1440811	Rh angle and depth adjustable footrest long tube SW40,5		1
21		1440812	Rh angle and depth adjustable footrest long tube SW43		1
22		1440813	Rh angle and depth adjustable footrest long tube SW45,5		1
23		1440814	Rh angle and depth adjustable footrest long tube SW48		1
24		1440815	Rh angle and depth adjustable footrest long tube SW50,5		1
25		5106374	Footplate 14 aa, Cpl.		2
26		5106375	Footplate 16 aa, Cpl.		2
27		5106594	Footplate 17 aa, Cpl.		2
28		5106376	Footplate 18 aa, Cpl.		2
29		1434561-0010	Footrest Tube, Short		2
30		1434563-0010	Footrest Tube, Long		2
31		1430839	Screw Kit, Footrest aa		2

## Angle and depth adjustable footrest

Pos.	Part number	Description	Valid from → until	Qty
32	1430840	Screw Kit, Footrest aa Ext		2




## Angle and depth adjustable footrest with shorter support

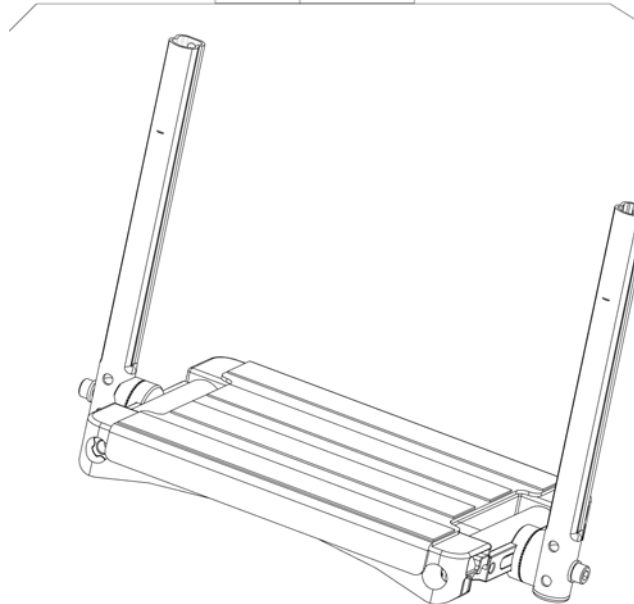


895133715

Pos.	P	number	Description	Valid from → until	Qty
1		1532078	Angle and depth adjustable footrest with shorter support SW43-45.5 Left		1
2		1532074	Angle and depth adjustable footrest with shorter support SW43-45.5 Right		1
3		1532080	Angle and depth adjustable footrest with shorter support SW48-50.5 Left		1
4		1532076	Angle and depth adjustable footrest with shorter support SW48-50.5 Right		1
5		5106374	Footplate 14 aa, Cpl.		2
6		5106594	Footplate 17 aa, Cpl.		2
7		1531202-0699	Shorter footrest support Left		1
8		1531203-0699	Shorter footrest support Right		1
9		1533714	Screws kit for angle and depth adjustable footrest with shorter support		2
10		1424576	Plug Ikpt 2017S		6

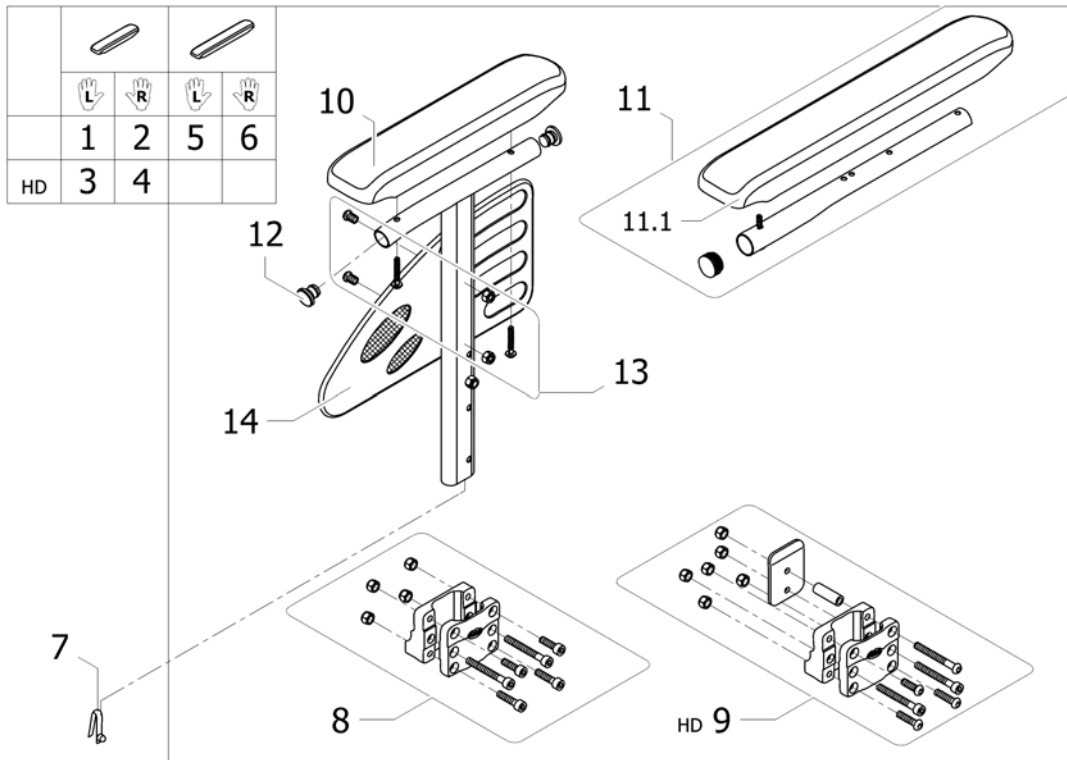
# One piece footboard

	
38 cm	1
40,5 cm	2
43 cm	3
45,5 cm	4
48 cm	5
50,5 cm	6



Pos.	P number	Description	Valid from → until	Qty
1	1496945	FOOTREST OP, 38, CPL DEPTH AND A/A,SHORT, 80		1
2	1496946	FOOTREST OP, 40.5, CPL DEPTH AND A/A,SHORT, 80		1
3	1496947	FOOTREST OP, 43, CPL DEPTH AND A/A,SHORT, 80		1
4	1496948	FOOTREST OP, 45.5, CPL DEPTH AND A/A,SHORT, 80		1
5	1496949	FOOTREST OP, 48, CPL DEPTH AND A/A,SHORT, 80		1
6	1496953	FOOTREST OP, 50.5, CPL DEPTH AND A/A,SHORT, 80		1

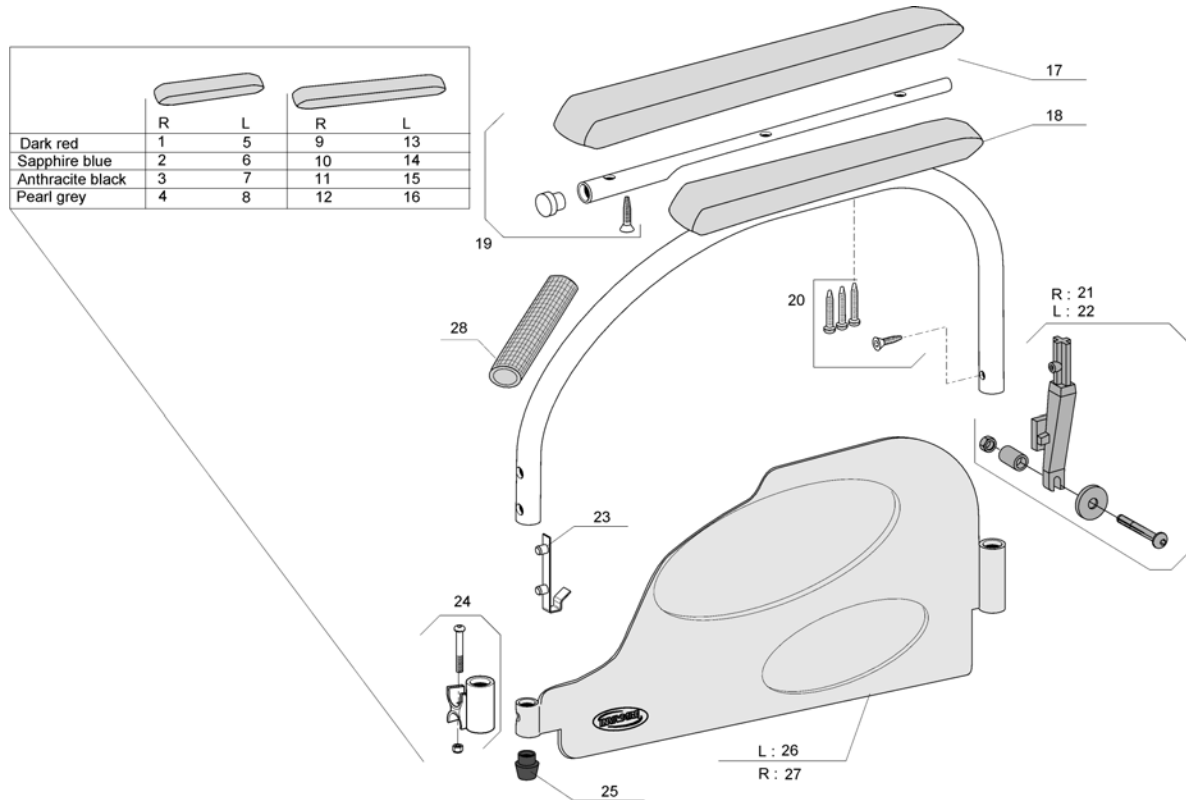
# Armrest n°1 - Removable and height adjustable



ISPS1495339

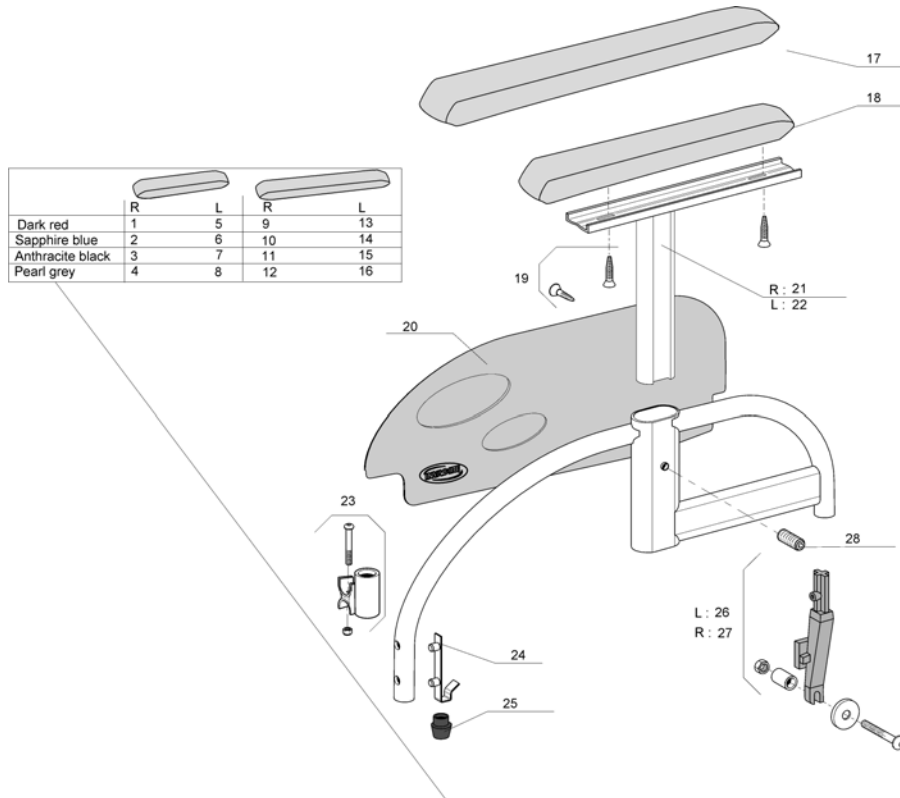
Pos.	P	number	Description	Valid from → until	Qty
1		1534086-0601	Lh Desk Armrest n°1 - Removable and height adjustable <i>Replace 1428597-0601</i>		1
2		1534085-0601	Rh Desk Armrest n°1 - Removable and height adjustable <i>Replace 1428596-0601</i>		1
3		1541935	Armrest n°1 - Removable and height adjustable short armpad Left heavy		1
4		1541934	Armrest n°1 - Removable and height adjustable short armpad Right heavy		1
5		1534088-0601	Lh Long Armrest n°1 - Removable and height adjustable <i>Replace 1428599-0601</i>		1
6		1534087-0601	Rh Long Armrest n°1 - Removable and height adjustable <i>Replace 1428598-0601</i>		1
7		0027-10003	Stud spring Ø6mm		2
8		1430421	Armrest Attachment		2
9		1532575	Central Support Armrest 1 Kit Hd		2
10		1543220	Kit armpad short 280mm + 2 screws <i>Replace 1426721</i>		2
11		1432595	Long armpad kit + tube + screw		2
11.1		1543247	Kit armpad long 380mm + 3 screws <i>Replace 1426723</i>		2
12		0021-20028	Plastic cap black Ø19x1,5 mm		2
13		1430422	Armrest n°1 screws kit		2
14		1425601	Armrest Skirtguard 1		2

## Swing Away & Detachable Armrest 2



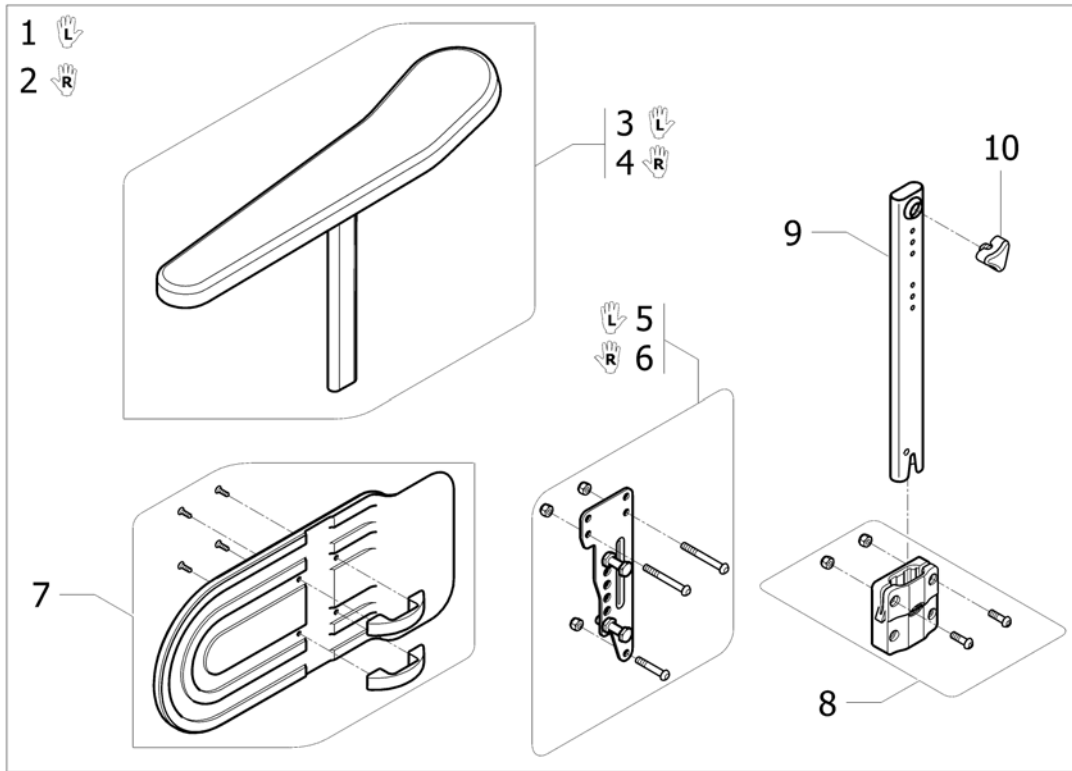
Pos.	P	number	Description	Valid from → until	Qty
1		1428604-0607	Rh Desk Armrest 2; Dark Red		1
2		1428604-0608	Rh Desk Armrest 2; Sapphire Blue		1
3		1428604-0609	Rh Desk Armrest 2; Anthracite Black		1
4		1428604-0515	Rh Desk Armrest 2; Pearl Grey		1
5		1428605-0607	Lh Desk Armrest 2; Dark Red		1
6		1428605-0608	Lh Desk Armrest 2; Sapphire Blue		1
7		1428605-0609	Lh Desk Armrest 2; Anthracite Black		1
8		1428605-0515	Lh Desk Armrest 2; Pearl Grey		1
9		1428606-0607	Rh Long Armrest 2; Dark Red		1
10		1428606-0608	Rh Long Armrest 2; Sapphire Blue		1
11		1428606-0609	Rh Long Armrest 2; Anthracite Black		1
12		1428606-0515	Rh Long Armrest 2; Pearl Grey		1
13		1428607-0607	Lh Long Armrest 2; Dark Red		1
14		1428607-0608	Lh Long Armrest 2; Sapphire Blue		1
15		1428607-0609	Lh Long Armrest 2; Anthracite Black		1
16		1428607-0515	Lh Long Armrest 2; Pearl Grey		1
17		1543219	Kit armpad long 380mm + 4 screws <i>Replace 1426723</i>		2
18		1543195	Kit armpad short 280mm + 3 screws <i>Replace 1426721</i>		2
19		1432595	Long armpad kit + tube + screw		1
20		1430424	Armrest 2 Screws Kit N°2		1
21		1430423	Rh Armrest Rear Support Kit		1
22		1431284	Lh Armrest Rear Support Kit		1
23		1018225	Double stud spring		1
24		0572-05368	Crossbar and armrest support kit		1
25		0572-03405	Short conical cap		1
26		1491220	Lh armrest skirtguard 2 <i>Replace 1532799</i>		1
27		1491219	Rh armrest skirtguard 2 <i>Replace 1532800</i>		1
28		0572-02851	Armrest handle cover		1

# Height Adjustable Armrest 3



Pos.	P	number	Description	Valid from → until	Qty
1		1428612-0607	Rh Desk Armrest 3; H & D Adjustable; Dark Red		1
2		1428612-0608	Rh Desk Armrest 3; H & D Adjustable; Sapphire Blue		1
3		1428612-0609	Rh Desk Armrest 3; H & D Adjustable; Anthracite Black		1
4		1428612-0515	Rh Desk Armrest 3; H & D Adjustable; Pearl Grey		1
5		1428613-0607	Lh Desk Armrest 3; H & D Adjustable; Dark Red		1
6		1428613-0608	Lh Desk Armrest 3; H & D Adjustable; Sapphire Blue		1
7		1428613-0609	Lh Desk Armrest 3; H & D Adjustable; Anthracite Black		1
8		1428613-0515	Lh Desk Armrest 3; H & D Adjustable; Pearl Grey		1
9		1428614-0607	Rh Long Armrest 3; H & D Adjustable; Dark Red		1
10		1428614-0608	Rh Long Armrest 3; H & D Adjustable; Sapphire Blue		1
11		1428614-0609	Rh Long Armrest 3; H & D Adjustable; Anthracite Black		1
12		1428614-0515	Rh Long Armrest 3; H & D Adjustable; Pearl Grey		1
13		1428615-0607	Lh Long Armrest 3; H & D Adjustable; Dark Red		1
14		1428615-0608	Lh Long Armrest 3; H & D Adjustable; Sapphire Blue		1
15		1428615-0609	Lh Long Armrest 3; H & D Adjustable; Anthracite Black		1
16		1428615-0515	Lh Long Armrest 3; H & D Adjustable; Pearl Grey		1
17		1434677	Long Armpad Flat Support		1
18		1434676	Armpad, Short		1
19		0029-40532	Fbz Screw D 4,8X19		1
20		1426725	Armrest Skirtguard 3		1
21		1449638-0010	Armpad Support Lh		1
22		1449637-0010	Adjustable Mounting Tube Lh		1
23		0572-05368	Crossbar and armrest support kit		1
24		1018225	Double stud spring		1
25		0572-03405	Short conical cap		1
26		1430423	Rh Armrest Rear Support Kit		1
27		1431284	Lh Armrest Rear Support Kit		1
28		5106533	Locking Screw M12x10		1

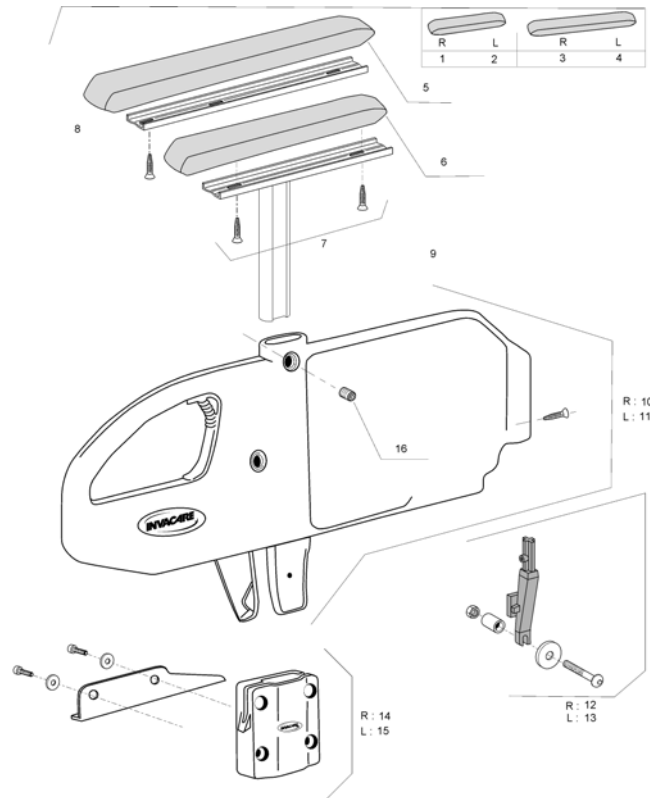
# Height Adjustable Comfort Armrest



ISPS1495342 ~ spst1495342\_11

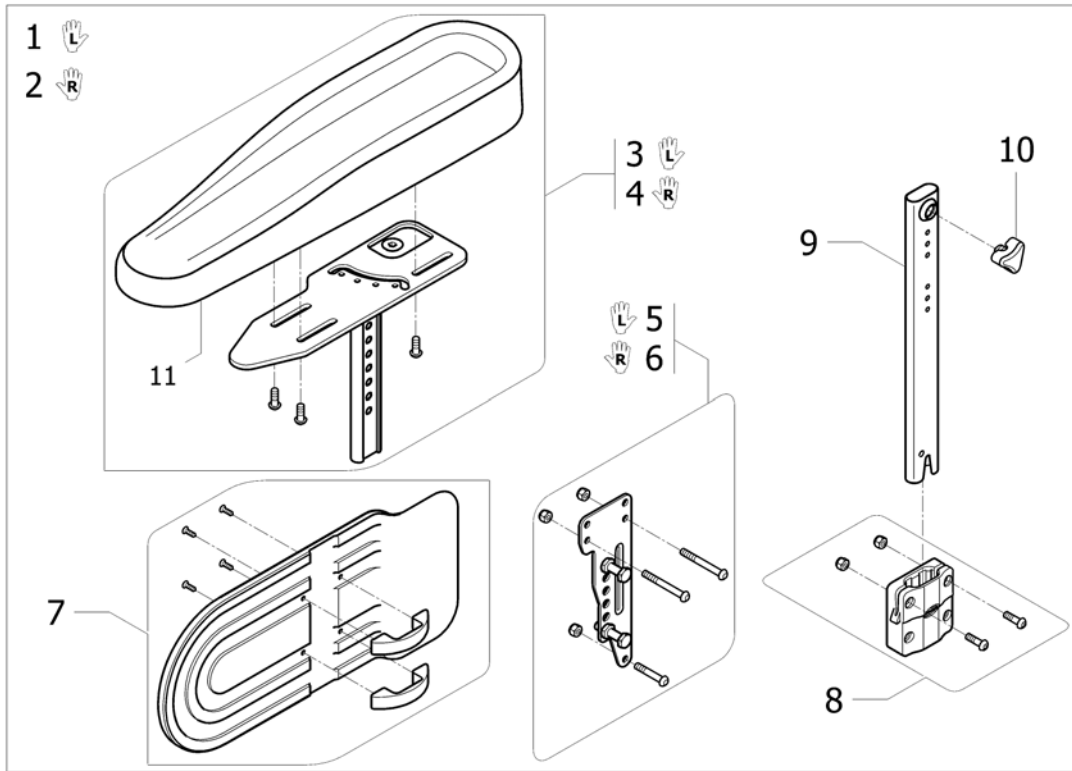
Pos.	P	number	Description	Valid from → until	Qty
1		1440894	Lh comfort armrest 4; H & D Adjustable		1
2		1440893	Rh comfort armrest 4; H & D Adjustable		1
3		1518702	ARMREST UPPER PART, HIGHT ADJ. LEFT <i>Replace 1435833</i>		1
4		1518701	ARMREST UPPER PART, HIGHT ADJ. RIGHT <i>Replace 1435832</i>		1
5		1430425	Skirtguard Armrest 4 Fixation Kit		2
6		1440953	Rh Armrest Support Plate		1
7		1442896	Lh Armrest Support Plate		1
8		1440952	Central Support Armrest Kit Comfort		2
9		1440895	Lower support adjustable armrest comfort		2
10		1434623	Ball Screw Court 7,5mm <i>Replace 5106533</i>		1

## Height Adjustable Monobloc Armrest



Pos.	P number	Description	Valid from → until	Qty
1	1450202	Monobloc Armrest Flip Up Short Pad Rh		1
2	1450203	Monobloc Armrest Flip Up Short Pad Lh		1
3	1450204	Monobloc Armrest Flip Up Long Pad Rh		1
4	1450205	Monobloc Armrest Flip Up Long Pad Lh		1
5	1434677	Long Armpad Flat Support		1
6	1434676	Armpad, Short		1
7	0029-40532	Fbz Screw D 4,8X19		1
8	1439876	Long Armpad Reinforced Plate		1
9	1435382-0008	Monobloc Armpad Support		1
10	1450623	Monobloc Support Base Rh		1
11	1497342	Monobloc Support Base Lh		1
12	1430423	Rh Armrest Rear Support Kit		1
13	1431284	Lh Armrest Rear Support Kit		1
14	1444808	Rh Monobloc Central Support		1
15	1444809	Lh Monobloc Central Support		1
16	5106533	Locking Screw M12x10		1

# Hemi Dartex Armpad Multiposition

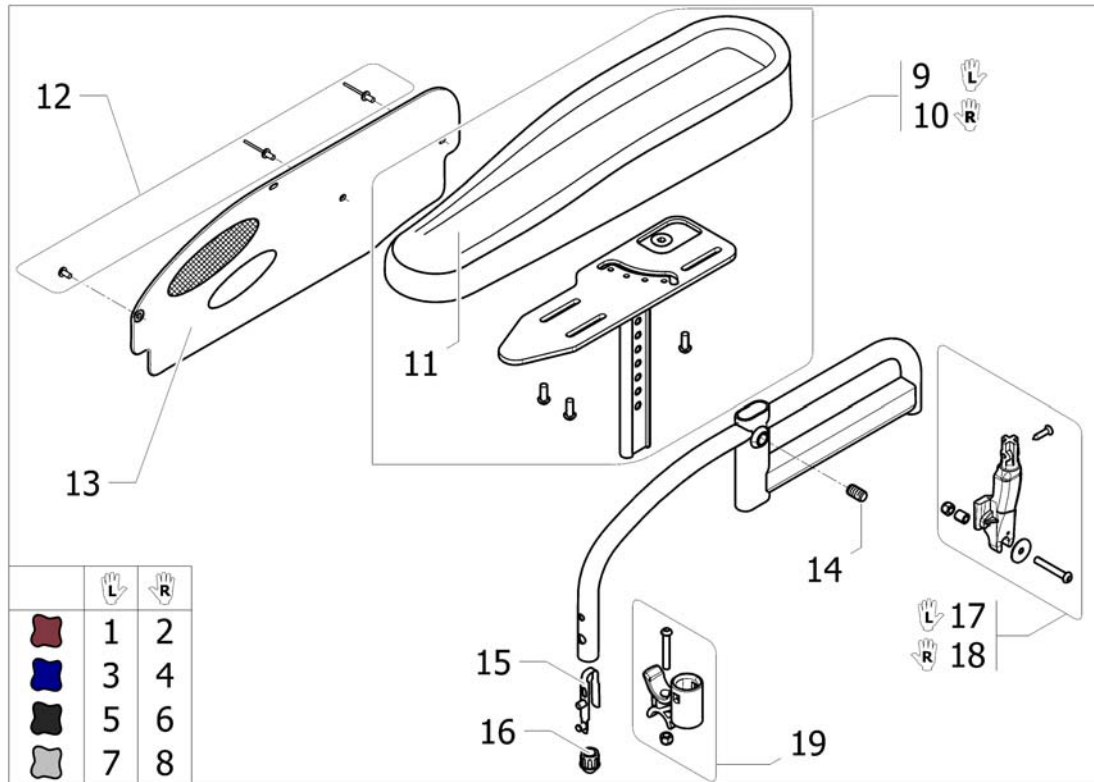


ISPS1497341 ~ sps1497341\_jl

Pos.	P	number	Description	Valid from → until	Qty
1		1497039	Lh hemi armrest 4; multiposition		1
2		1497008	Rh hemi armrest 4; multiposition		1
3		1493220	ARMREST HEMI LE, AZALEA		1
4		1493219	ARMREST HEMI RI, AZALEA		1
5		1442896	Lh Armrest Support Plate		1
6		1440953	Rh Armrest Support Plate		1
7		1430425	Skirtguard Armrest 4 Fixation Kit		2
8		1440952	Central Support Armrest Kit Comfort		2
9		1440895	Lower support adjustable armrest comfort		2
10		1434623	Ball Screw Court 7,5mm <i>Replace 5106533</i>		2
11		1493251	Armpad, Hemi Armrest, Azalea		2

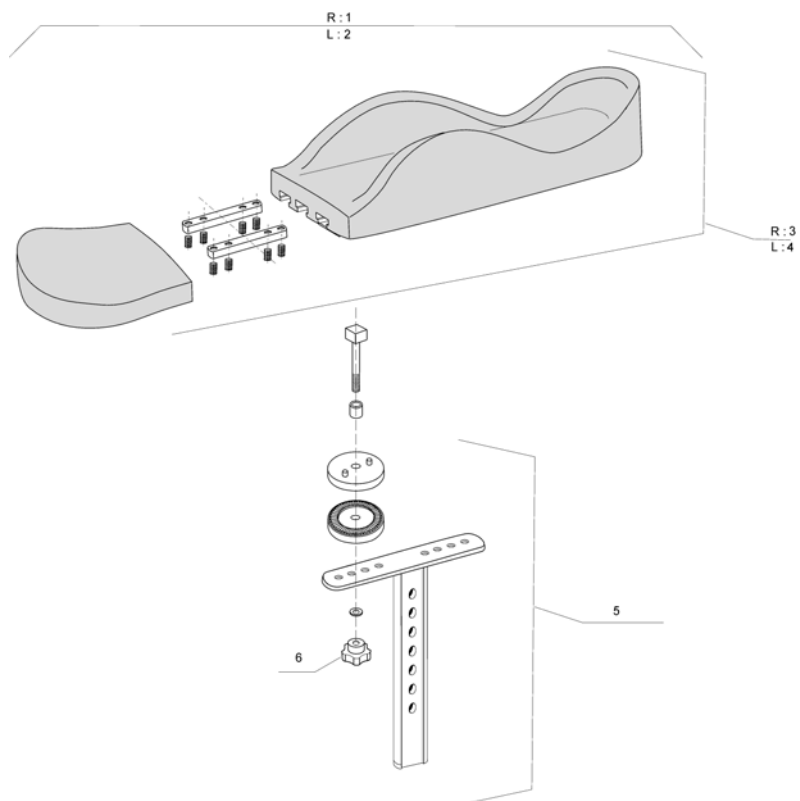


# Hemiplegic Armrest Support



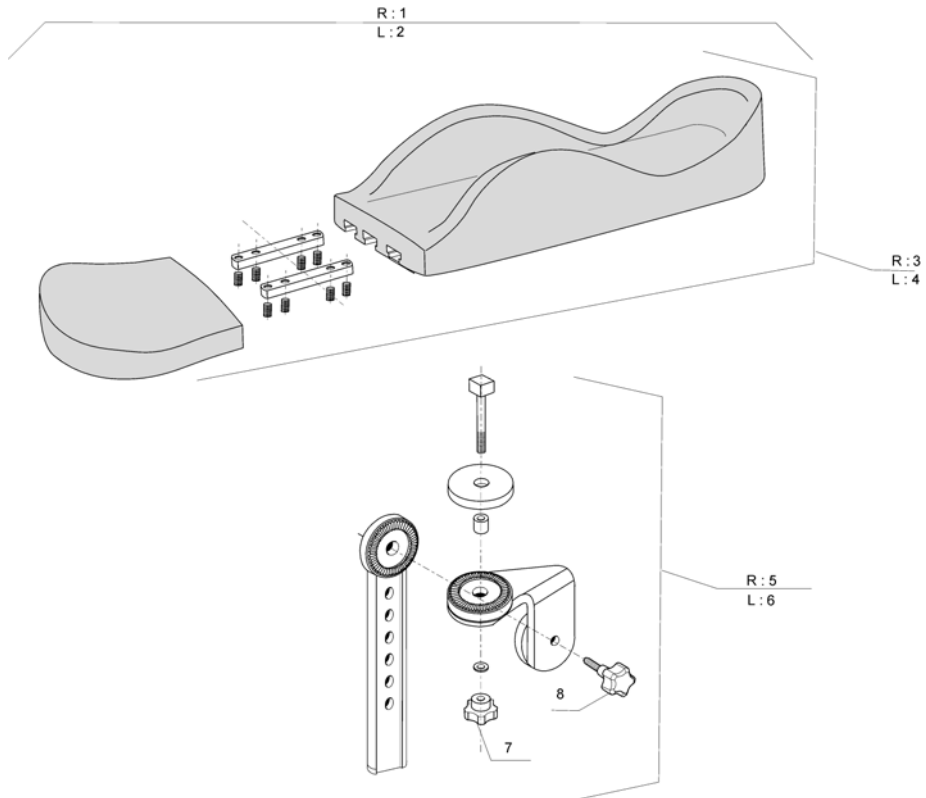
Pos.	P	number	Description	Valid from → until	Qty
1		1434558-0607	Lh Hemi Armpad Action3 Dark Red		1
2		1434557-0607	Rh Hemi Armpad Action3 Dark Red		1
3		1434558-0608	Lh Hemi Armpad Action3 Sapphire Blue		1
4		1434557-0608	Rh Hemi Armpad Action3 Sapphire Blue		1
5		1434558-0609	Lh Hemi Armpad Action3 Anthracite Black		1
6		1434557-0609	Rh Hemi Armpad Action3 Anthracite Black		1
7		1434558-0515	Lh Hemi Armpad Action3 Pearl Grey		1
8		1434557-0515	Rh Hemi Armpad Action3 Pearl Grey		1
9		1493220	ARMREST HEMI LE, AZALEA		1
10		1493219	ARMREST HEMI RI, AZALEA		1
11		1493251	Armpad, Hemi Armrest, Azalea		1
12		1536586	Armrest 3 Screws Kit		2
13		1426725	Armrest Skirtguard 3 <i>Replace 1532801 1532802</i>		2
14		5106533	Locking Screw M12x10		2
15		1018225	Double stud spring		2
16		0572-03405	Short conical cap		2
17		1431284	Lh Armrest Rear Support Kit		1
18		1430423	Rh Armrest Rear Support Kit		1
19		0572-05368	Crossbar and armrest support kit		2

# Armpad Hemi Motion Simple Adjustable



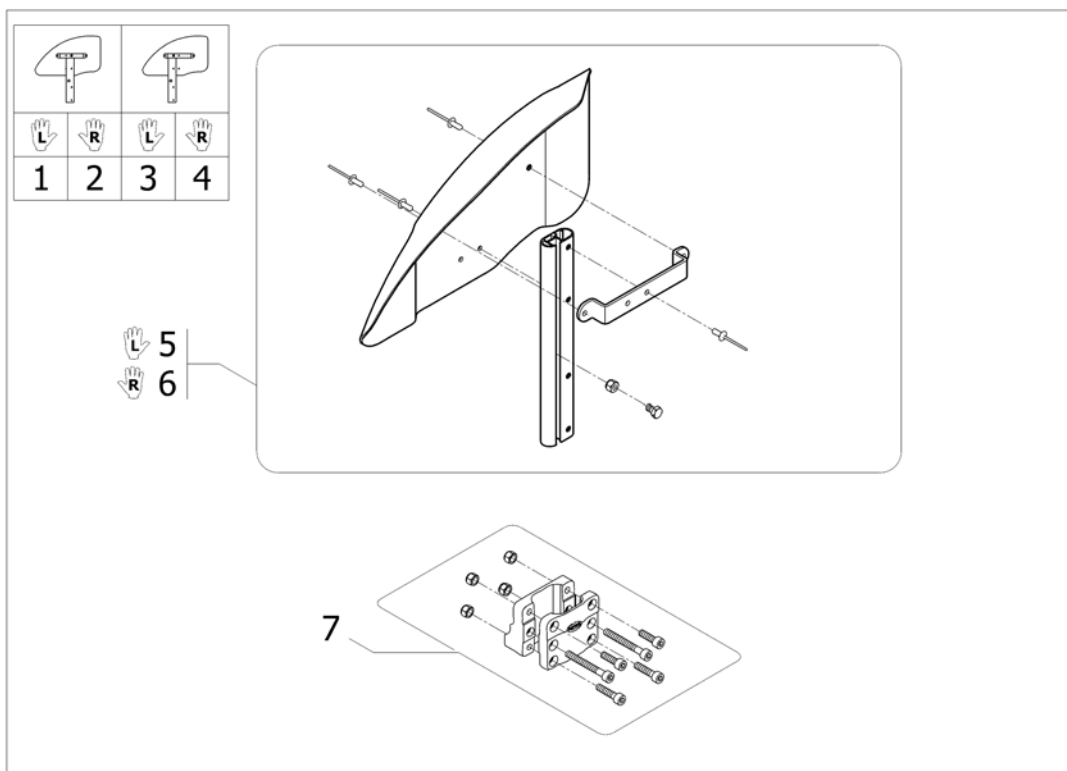
Pos.	P	number	Description	Valid from → until	Qty
1		1443024	Rh Hemi Motion Armpad Simple Adjustable		1
2		1443025	Lh Hemi Motion Armpad Simple Adjustable		1
3		1444965	Rh Motion Armpad		1
4		1442973	Lh Motion Armpad		1
5		1443028	Mounting Kit Motion Armpad Simple Adjustable		1
6		0021-60032	Button M6-25		1

# Armpad Hemi Motion Multi Adjustable



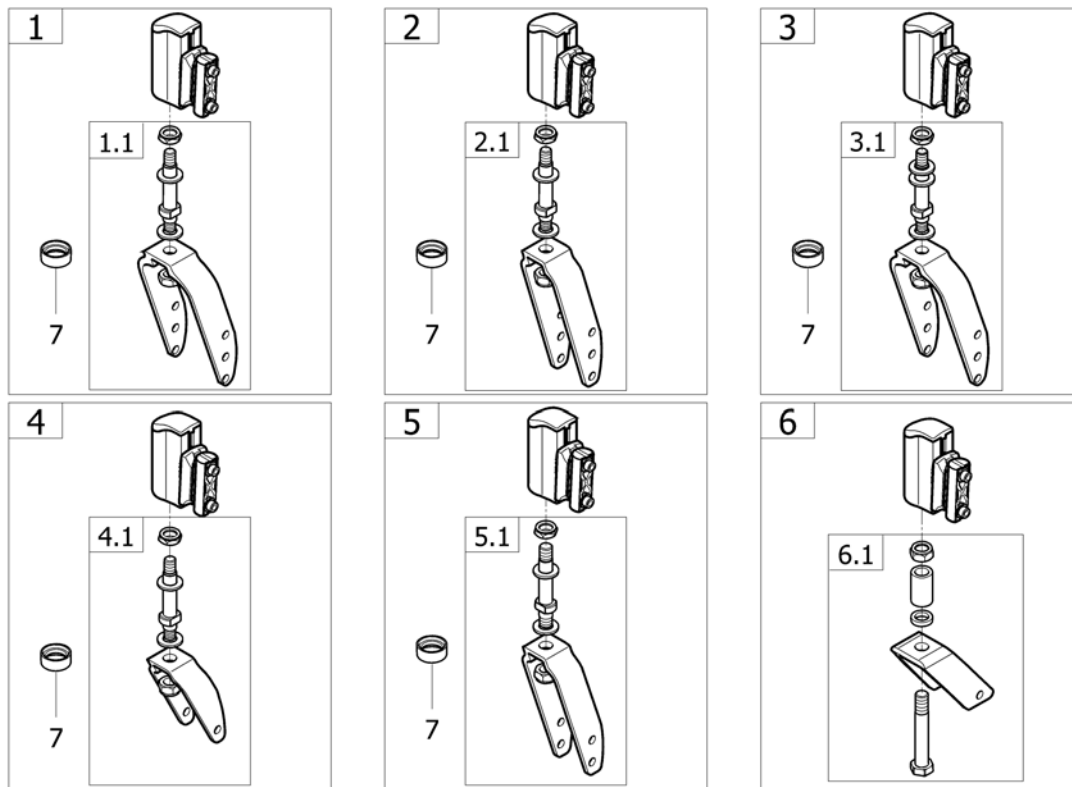
Pos.	P	number	Description	Valid from → until	Qty
1		1443029	Rh Hemi Motion Armpad Multi Adjustable		1
2		1443030	Lh Hemi Motion Armpad Multi Adjustable		1
3		1444965	Rh Motion Armpad		1
4		1442973	Lh Motion Armpad		1
5		1443031	Rh Mounting Kit Motion Armpad Multi Adjustable		1
6		1443032	Lh Mounting Kit Motion Armpad Multi Adjustable		1
7		0021-60032	Button M6-25		1
8		0021-60029	Button Ø32 mm M6x16		1

# Mudguard Xtra



Pos.	P	number	Description	Valid from → until	Qty
1		1486042	Lh Mudguard A3 Complete		1
2		1486041	Rh Mudguard A3 Complete		1
3		1492739	Lh Mudguard A3-A3J Complete Back Position		1
4		1492738	Rh Mudguard A3-A3J Complete Back Position		1
5		1488806	Lh Mudguard + Fixation		1
6		1488805	Rh Mudguard + Fixation		1
7		1430421	Armrest Attachment		2

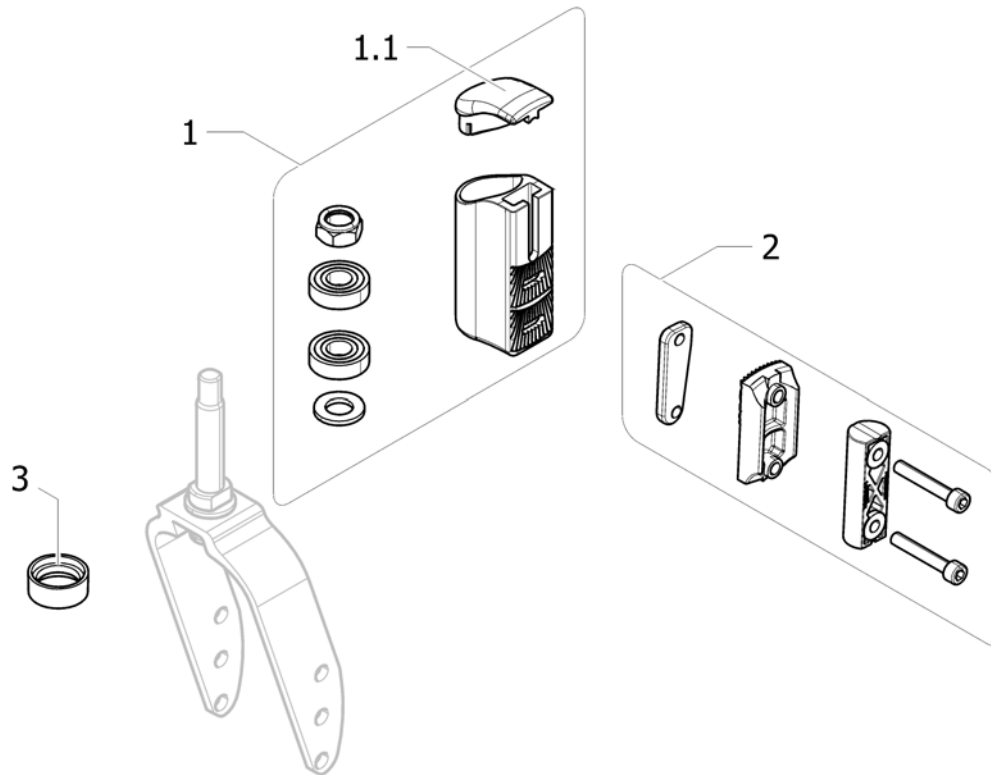
# Forks



ISPS1535348 ~ sps1535348\_11

Pos.	P	number	Description	Valid from → until	Qty
1		1450025	Kit fork L60 + axle + support + fixation (Wheels 8" & 6")		2
1.1		1444802	Kit fork L60 + axle (Wheels 8" & 6")		2
2		1450026	Kit fork L36 + axle + support + fixation (Wheels 6")		2
2.1		1444803	Kit fork L36 + axle (Wheels 6")		2
3		1538177	Kit fork L60 + axle + support + fixation (Wheels 5"1/2)		2
3.1		1515699	Kit fork L60 + axle (Wheels 5"1/2)		2
4		1450027	Kit fork L36 + axle + support + fixation (Wheels 5")		2
4.1		1451775	Kit fork L36 + axle + (Wheels 5")		2
5		1513247	Kit fork L36 + axle + support + fixation (Wheels 5"x1") <i>replace 1529518</i>		2
5.1		1513536	Kit fork L36 + axle (Wheels 5"x1")		2
6		1548510	Kit fork L36 ultra low + axle + support + fixation (Wheels 5")		2
6.1		1548801	Kit fork L36 ultra low + axle (Wheels 5")		2
7		1529516-0618	Fork Ring "Champagne"		2

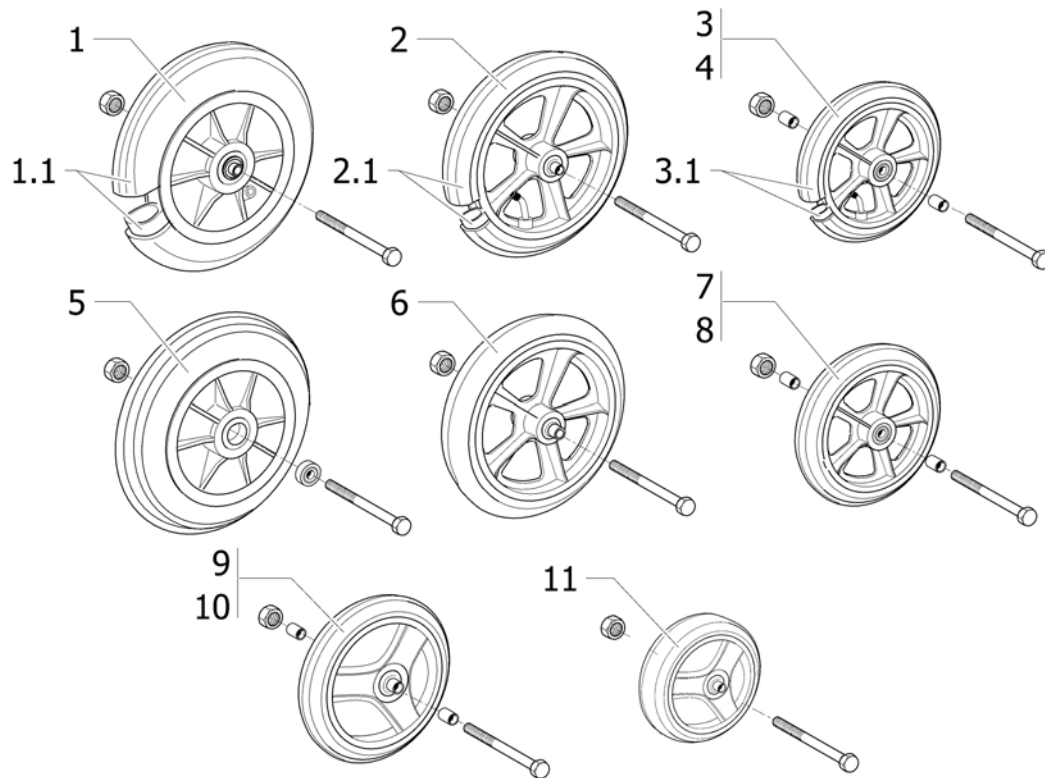
## Forks supports



15P133968

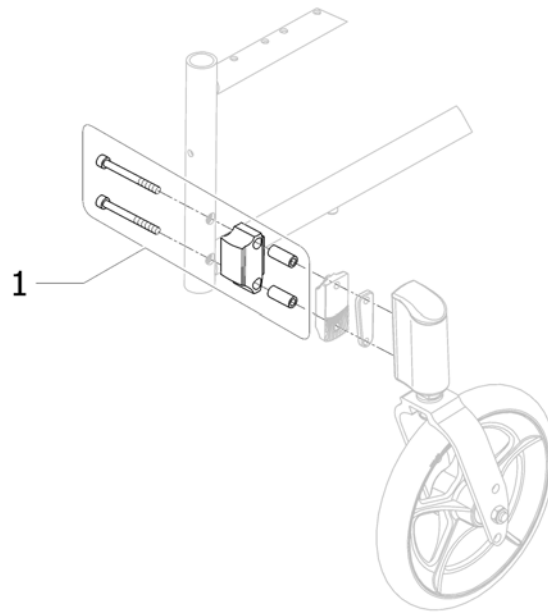
Pos.	P number	Description	Valid from → until	Qty
1	1444804	Kit fork support		2
1.1	1449245	Fork support plastic cap		2
2	1450028	Kit fork support fixation		2
3	1529516-0618	Fork Ring "Champagne"		2

## Front wheels



Pos.	P	number	Description	Valid from → until	Qty
1		0572-02071	8" x 2" castor pneumatic tyre complete		2
1.1		1430874	8" x 2" pneumatic tyre + inner tube		2
2		0572-01859	8" x 1.1/4" castor pneumatic tyre complete		2
2.1		1430873	8" x 1.1/4" pneumatic tyre + inner tube		2
3		1450175	Castor 150mm (6" x 1.1/4"), Pneumatic, Cpl.		2
3.1		1431275	6" x 1.1/4" pneumatic tyre + inner tube		2
4		1428894	6" x 1.1/4" castor pneumatic tyre complete 60 mm		2
5		0572-06128	8" x 2" castor solid tyre complete		2
6		0572-02013	8" x 1.1/4" castor solid tyre complete		2
7		1450174	Castor 150mm (6" x 1.1/4"), Solid, Cpl.		2
8		1428895	6" x 1.1/4" castor solid tyre complete L 60		2
9		1450622	Castor 150mm (6" x 1.1/4"), Solid Medium Hard, Cpl.		2
10		1450176	A4 6 Castor Medium Hard Type Complete L : 60 Mm		2
11		1515254	Castor 140mm (5.1/2" x 1.3/4"), Solid Medium Hard, Cpl.		2

## Front wheel extension kit












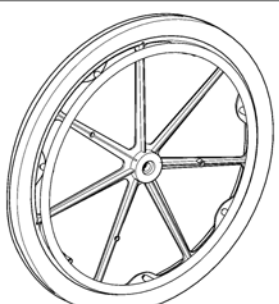




!SPS1498031

Pos.	P number	Description	Valid from → until	Qty
1	1497767	Front wheel extension kit		1












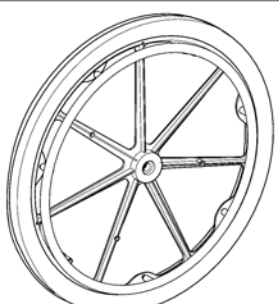




## 24" Standard Wheels < 03/2007

24" <03/2007		 1" 	 1" 	 1" 3/8 	 1" 3/8 
		1	2	3	4
		5	-	6	7
		-	-	8	9
		-	-	10	11

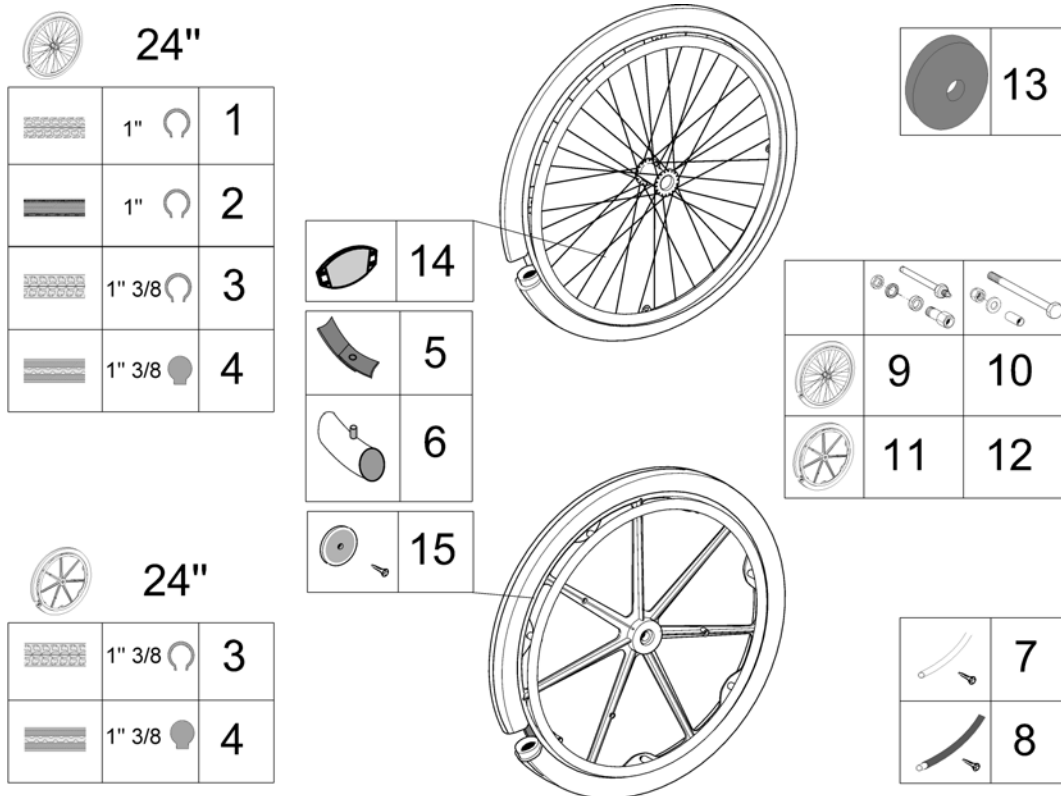
Pos.	P number	Description	Valid from → until	Qty
1	1505309	Pair 24"x1" spoked + anodized handrim + notched pneumatic tyre + QR axle < 03/2007		1
2	1507797-0609	Pair 24"x1" spoked + anodized handrim + non marking tyre + QR axle + anthracite rim < 03/2007		1
2	1507796	Pair 24"x1" spoked + anodized handrim + non marking tyre + QR axle < 03/2007		1
2	1507797-0608	Pair 24"x1" spoked + anodized handrim + non marking tyre + QR axle + sapph. blue rim < 03/2007		1
2	1507797-0607	Pair 24"x1" spoked + anodized handrim + non marking tyre + QR axle + dark red rim < 03/2007		1
3	1519397	Pair 24"x1.3/8" spoked + anodized handrim + pneumatic tyre + fixed axle		1
3	1505305	Pair 24"x1.3/8" spoked + anodized handrim + pneumatic tyre + QR axle < 03/2007		1
4	1519399	Pair 24"x1.3/8" spoked + anodized handrim + solid tyre + fixed axle		1
4	1505307	Pair 24"x1.3/8" spoked + anodized handrim + solid tyre + QR axle < 03/2007		1
5	1505618	Pair 24"x1" spoked + anti-slip handrim + notched pneumatic tyre + QR axle < 03/2007		1
6	1505393	Pair 24"x1.3/8" spoked + anti-slip handrim + pneumatic tyre + QR axle < 03/2007		1
6	1519401	Pair 24"x1.3/8" spoked + anti-slip handrim + pneumatic tyre + fixed axle		1
7	1519403	Pair 24"x1.3/8" spoked + anti-slip handrim + solid tyre + fixed axle		1
7	1505595	Pair 24"x1.3/8" spoked + anti-slip handrim + solid tyre + QR axle < 03/2007		1
8	0572-05909	24" x 1.3/8" composite + anodized handrim + pneumatic tyre		1
9	0572-05908	24" x 1.3/8" composite + anodized handrim + solid tyre		1
10	0572-05193	24" x 1.3/8" composite + anti-slip handrim + pneumatic tyre		1
11	0572-05195	24" x 1.3/8" composite + anti-slip handrim + solid tyre		1

## 24" Standard Wheels > 03/2007

24" >03/2007		 1" 	 1" 	 1" 3/8 	 1" 3/8 
		1	2	3	4
		5	-	6	7
		-	-	8	9
		-	-	10	11





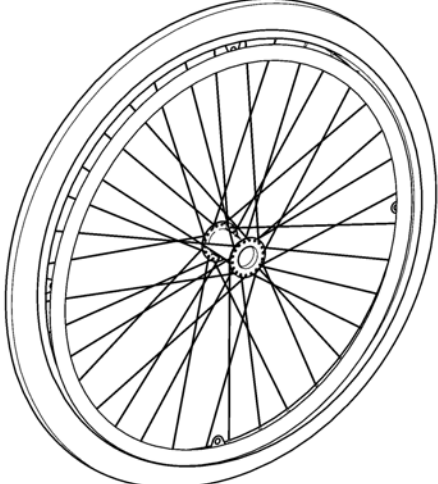
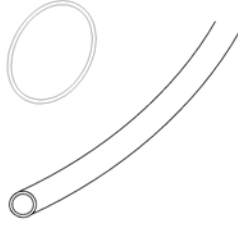
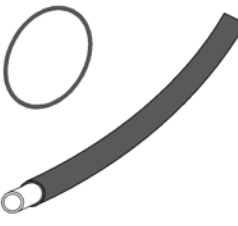
Pos.	P number	Description	Valid from → until	Qty
1	1498425	24" x 1" wheel, spoked, standard hub, anodized handrim, notched pneumatic tyre, without axle Ø12		1
2	1498431-0607	24" x 1" spoked + anodized handrim + non marking pneumatic tyre + dark red rim > 03/2007		1
2	1498431-0608	24" x 1" spoked + anodized handrim + non marking pneumatic tyre + sapphire blue rim > 03/2007		1
2	1498431	24" x 1" spoked + anodized handrim + non marking pneumatic tyre > 03/2007		1
2	1498431-0609	24" x 1" spoked + anodized handrim + non marking pneumatic tyre + anthracite black rim > 03/2007		1
3	1498423	24" x 1.3/8" spoked + anodized handrim + pneumatic tyre		1
4	1498263	24" x 1.3/8" wheel, spoked, standard hub, anodized handrim, solid tyre, without axle Ø12		1
5	1498426	24" x 1" spoked + anti-slip handrim + notched pneumatic tyre > 03/2007		1
6	1498424	24" x 1.3/8" spoked + anti-slip handrim + pneumatic tyre > 03/2007		1
7	1498422	24" x 1.3/8" spoked + anti-slip handrim + solid tyre > 03/2007		1
8	0572-05909	24" x 1.3/8" composite + anodized handrim + pneumatic tyre		1
9	0572-05908	24" x 1.3/8" composite + anodized handrim + solid tyre		1
10	0572-05193	24" x 1.3/8" composite + anti-slip handrim + pneumatic tyre		1
11	0572-05195	24" x 1.3/8" composite + anti-slip handrim + solid tyre		1

## 24" Standard Wheels accessories





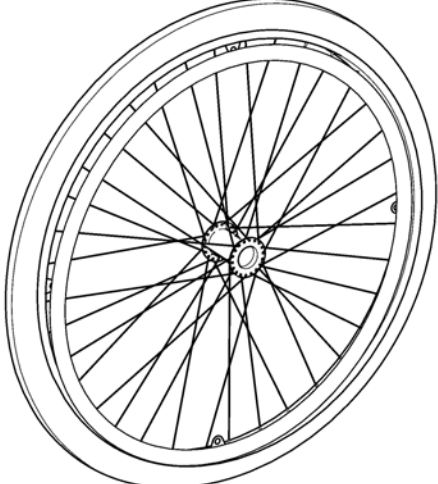
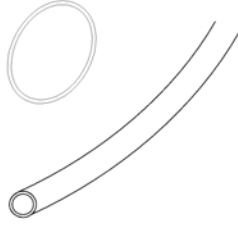
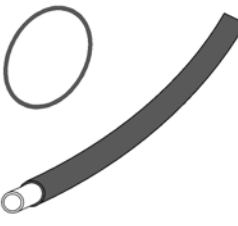


Pos.	P	number	Description	Valid from → until	Qty
1		0036-30013	24" x 1" notched pneumatic tyre		2
2		1026138	24" x 1" non marking pneumatic tyre		2
3		0036-30001	24" x 1.3/8" pneumatic tyre		2
4		0036-10013	24" x 1.3/8" solid tyre		2
5		0036-40003	24" rim tape		2
6		1032240	24" x 1" inner tube		2
6		0036-20001	24" x 1.3/8" inner tube		2
7		1431317	24" anodized handrim 7 fixations		2
7		1431314	24" anodized handrim 4 fixations <i>Replaced by 1505291</i>	20021025 → 20070304	2
7		1505291	24" anodized handrim 4 fixations <i>Replace 1431314</i>	20070305 →	2
8		1431318	24" anti-slip handrim 7 fixations		2
8		1431315	24" anti-slip handrim 4 fixations <i>Replaced by 1505298</i>	20021025 → 20070304	2
8		1505298	24" anti-slip handrim 4 fixations <i>Replace 1431315</i>	20070305 →	2
9		1431276	QR axle for spoked wheels < 03/2007		2
9		1505288	QR axle with axle support Ø12		2
10		1431277	Fixed axle for spoked wheels < 03/2007 <i>Replaced by 1505289</i>	→ 20070228	2
10		1505289	Fixed axle for spoked wheels <i>Replace 1431277</i>	20070301 →	2
11		1434129	QR axle for composite wheels		2
12		1431279	Fixed axle for composite wheels		2
		0789-04400	Spoke guards 24"		1
		N90003	Kit reflectors orange for spoked wheels		2
		9037-30001	Kit reflectors orange for composite wheels		2

## 22" Standard Wheels < 03/2007

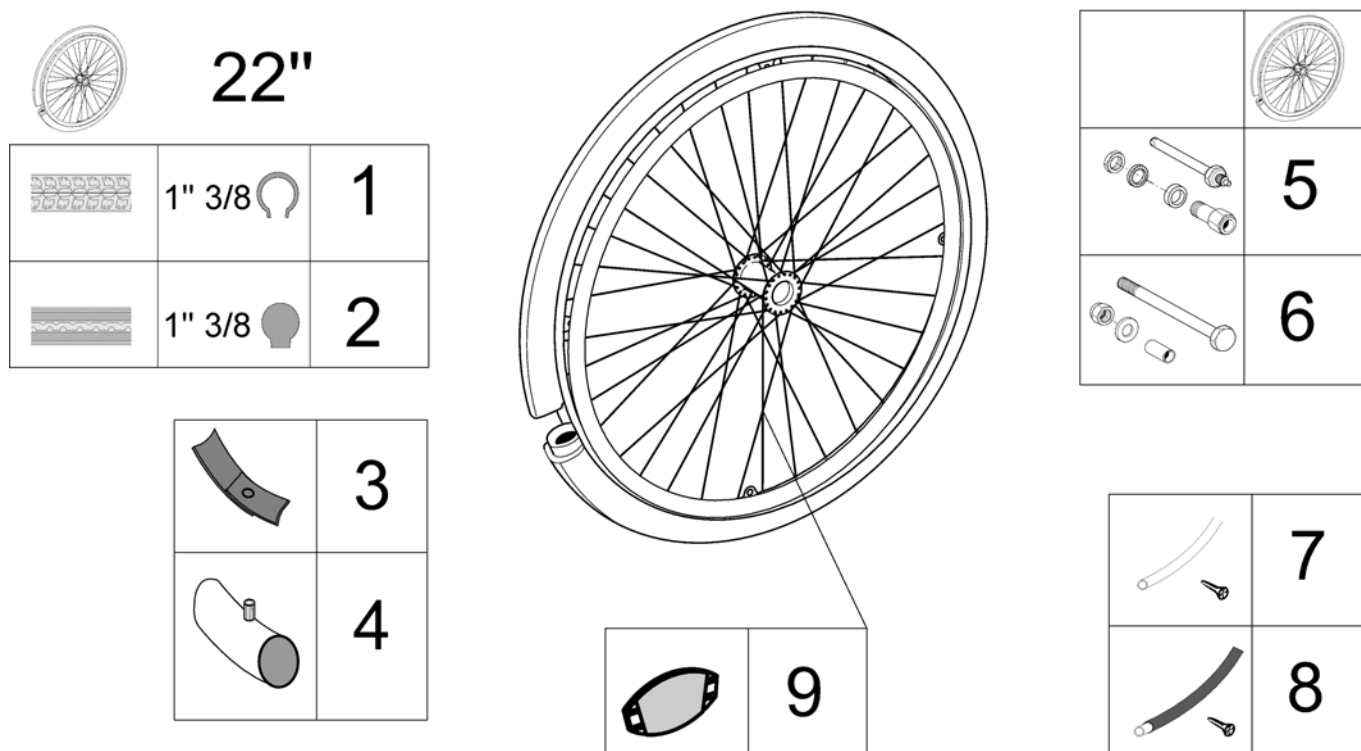
<h1>22"</h1> <p>&lt;03/2007</p>			
		<p>1" 3/8 </p>	<p>1" 3/8 </p>
		1	2
		3	4

Pos.	P number	Description	Valid from → until	Qty
1	1519398	Pair 22"x1.3/8" spoked + anodized handrim + pneumatic tyre + fixed axle		1
1	1505306	Pair 22"x1.3/8" spoked + anodized handrim + pneumatic tyre + QR axle < 03/2007		1
2	1505308	Pair 22"x1.3/8" spoked + anodized handrim + solid tyre + QR axle < 03/2007		1
2	1519400	Pair 22"x1.3/8" spoked + anodized handrim + solid tyre + fixed axle		1
3	1505410	Pair 22"x1.3/8" spoked + anti-slip handrim + pneumatic tyre + QR axle < 03/2007		1
3	1519402	Pair 22"x1.3/8" spoked + anti-slip handrim + pneumatic tyre + fixed axle		1
4	1519404	Pair 22"x1.3/8" spoked + anti-slip handrim + solid tyre + fixed axle		1
4	1505608	Pair 22"x1.3/8" spoked + anti-slip handrim + solid tyre + fixed axle < 03/2007		1

<h1>22"</h1> <p>&gt;03/2007</p>		 1" 3/8 	 1" 3/8 
		1	2
		3	4

Pos.	P number	Description	Valid from → until	Qty
1	1498434	22" Pneumatic Basic/19" Alu. Handrim		1
2	1498432	22" x 1.3/8" spoked + anodized handrim + solid tyre > 03/2007		1
3	1498435	22" x 1.3/8" spoked + anti-slip handrim + pneumatic tyre > 03/2007		1
4	1498433	22" x 1.3/8" spoked + anti-slip handrim + solid tyre > 03/2007		1

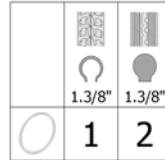
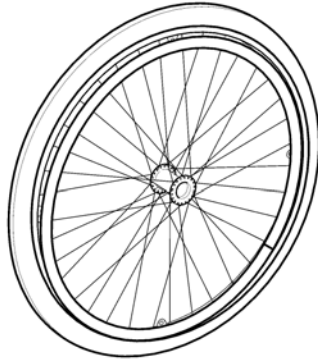
## 22" Standard Wheels accessories



Pos.	P number	Description	Valid from → until	Qty
1	0036-30035	22" x 1.3/8" pneumatic tyre		2
2	0036-10014	22" x 1.3/8" solid tyre grey		2
3	5750029	Rim tape 22" <i>Replace 0036-40002</i>		2
4	0036-20007	22" x 1.3/8" inner tube		2
5	1431276	QR axle for spoked wheels < 03/2007		2
5	1505288	QR axle with axle support Ø12		2
6	1431277	Fixed axle for spoked wheels < 03/2007		2
6	1505289	Fixed axle for spoked wheels		2
7	1505299	22" anodized handrim 4 fixations <i>Replace 1431320</i>	20070305 →	2
7	1431320	22" anodized handrim 4 fixations <i>Replaced by 1505299</i>	20060101 → 20070304	2
8	1505920	22" anti-slip handrim 4 fixations <i>Replace 1430419</i>	20070305 →	2
8	1430419	22" anti-slip handrim 4 fixations <i>Replaced by 1505920</i>	20060101 → 20070304	2
9	N90003	Kit reflectors orange for spoked wheels		2

## 20" Standard Wheels

20"

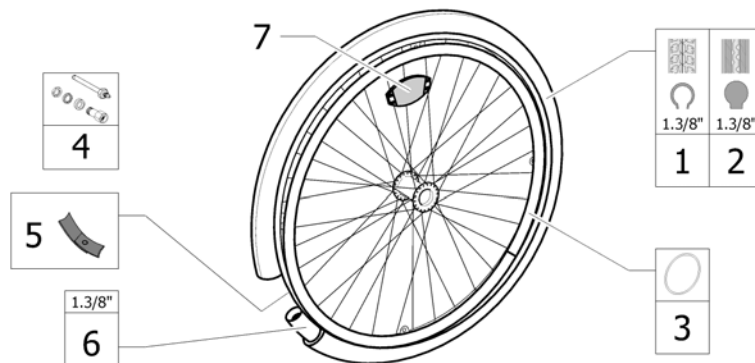


15P5132414

Pos.	P number	Description	Valid from → until	Qty
1	1445041	20" Pneumatic Basic/19" Alu. Handrim		2
2	1445042	20" Solid Basic/19" Alu. Handrim		2

## 20" Standard Wheels accessories

20"



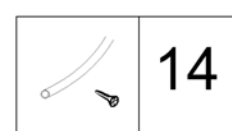
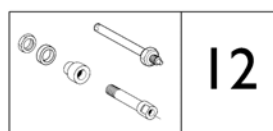
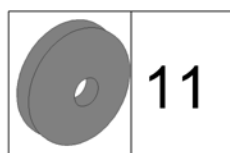
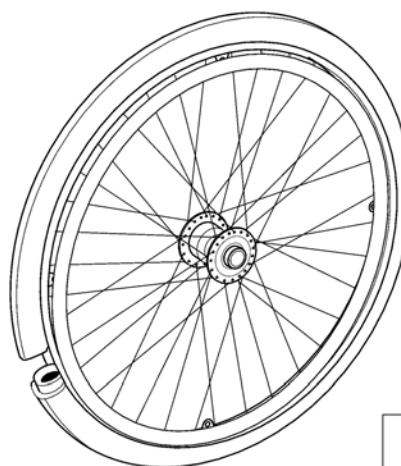
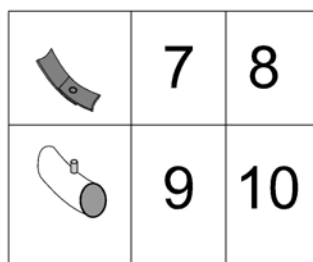
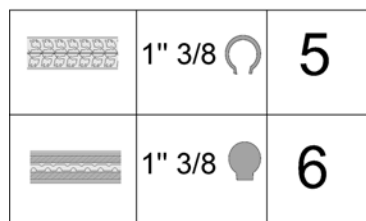
1591324185

Pos.	P number	Description	Valid from → until	Qty
1	M11009	Tyre - 20" x 1 3/8"		2
2	1TYR2002	Solid Tyre - 20" x 1 3/8"		2
3	1507241	20" Anodised Handrim		2
4	1505288	QR axle with axle support Ø12		2
5	1507198	20" Rim Tape		2
6	0036-20006	20" Inner Tube		2
7	N90003	Kit reflectors orange for spoked wheels		2



## 24" / 22" hub brake wheels with accessories < 06 / 2007

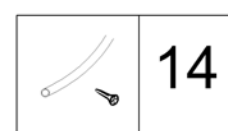
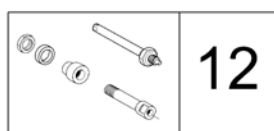
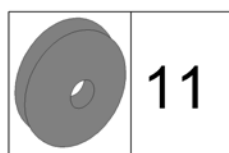
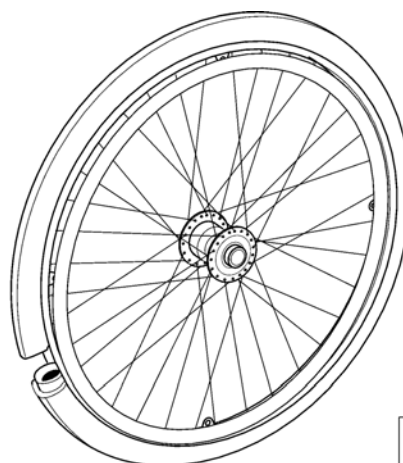
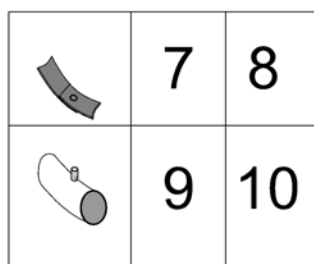
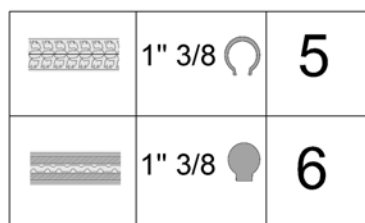
24" / 22"  
<06/2007



Pos.	P	number	Description	Valid from → until	Qty
1		1505301	Pair 24"x1.3/8" hub brake spoked + anodized handrim + pneumatic tyre + QR axle < 06/2007		1
2		1505302	Pair 24"x1.3/8" hub brake spoked + anodized handrim + solid tyre + QR axle < 06/2007		1
3		1505303	Pair 22"x1.3/8" hub brake spoked + anodized handrim + pneumatic tyre + QR axle < 06/2007		1
4		1505304	Pair 22"x1.3/8" hub brake spoked + anodized handrim + solid tyre + QR axle < 06/2007		1
5		0036-30001	24" x 1.3/8" pneumatic tyre		2
5		0036-30035	22" x 1.3/8" pneumatic tyre		2
6		0036-10013	24" x 1.3/8" solid tyre		2
6		0036-10014	22" x 1.3/8" solid tyre grey		2
7		0036-40003	24" rim tape		2
8		5750029	Rim tape 22" <i>Replace 0036-40002</i>		2
9		0036-20001	24" x 1.3/8" inner tube		2
10		0036-20007	22" x 1.3/8" inner tube		2
11		0789-04400	Spoke guards 24"		1
12		1505290	QR axle for hub brake spoked wheels		2
13		N90003	Kit reflectors orange for spoked wheels		2
14		1505291	24" anodized handrim 4 fixations <i>Replace 1431314</i>	20070305 →	2
14		1431314	24" anodized handrim 4 fixations <i>Replaced by 1505291</i>	20021025 → 20070304	2
14		1431320	22" anodized handrim 4 fixations <i>Replaced by 1505299</i>	20021025 → 20070304	2
14		1505299	22" anodized handrim 4 fixations <i>Replace 1431320</i>		2

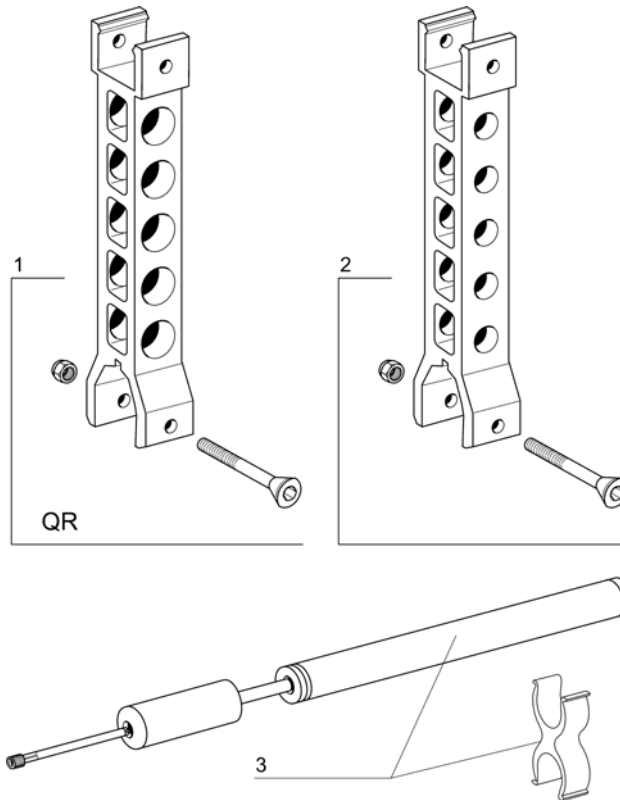
## 24" / 22" hub brake wheels with accessories > 06 / 2007

24" / 22"  
>06/2007



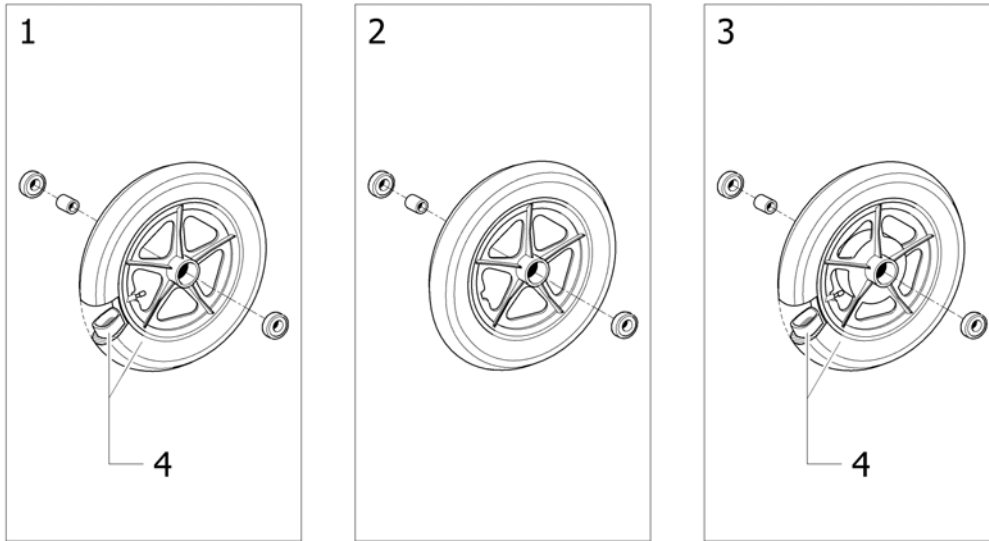
Pos.	P	number	Description	Valid from → until	Qty
1		1498428	24" x 1.3/8" hub brake spoked + anodized handrim + pneumatic tyre >06/2007		2
2		1498427	24" x 1.3/8" hub brake spoked + anodized handrim + solid tyre > 06/2007		2
3		1498466	22" x 1.3/8" hub brake spoked + anodized handrim + pneumatic tyre >06/2007		2
4		1498461	22" x 1.3/8" hub brake spoked + anodized handrim + solid tyre > 06/2007		2
5		0036-30001	24" x 1.3/8" pneumatic tyre		2
5		0036-30035	22" x 1.3/8" pneumatic tyre		2
6		0036-10013	24" x 1.3/8" solid tyre		2
6		0036-10014	22" x 1.3/8" solid tyre grey		2
7		0036-40003	24" rim tape		2
8		5750029	Rim tape 22" <i>Replace 0036-40002</i>		2
9		0036-20001	24" x 1.3/8" inner tube		2
10		0036-20007	22" x 1.3/8" inner tube		2
11		0789-04400	Spoke guards 24"		1
12		1505290	QR axle for hub brake spoked wheels		2
13		N90003	Kit reflectors orange for spoked wheels		2
14		1505291	24" anodized handrim 4 fixations		2
14		1505299	22" anodized handrim 4 fixations		2

## Rear Wheel Supports & Pump



Pos.	P number	Description	Valid from → until	Qty
1	1534886	Rear wheel support for QR axle <i>Replace 1431282</i>		1
2	1534887	Rear wheel support for fixed axle <i>Replace 1431283</i>		1
3	1419910	Kit pump + support		1

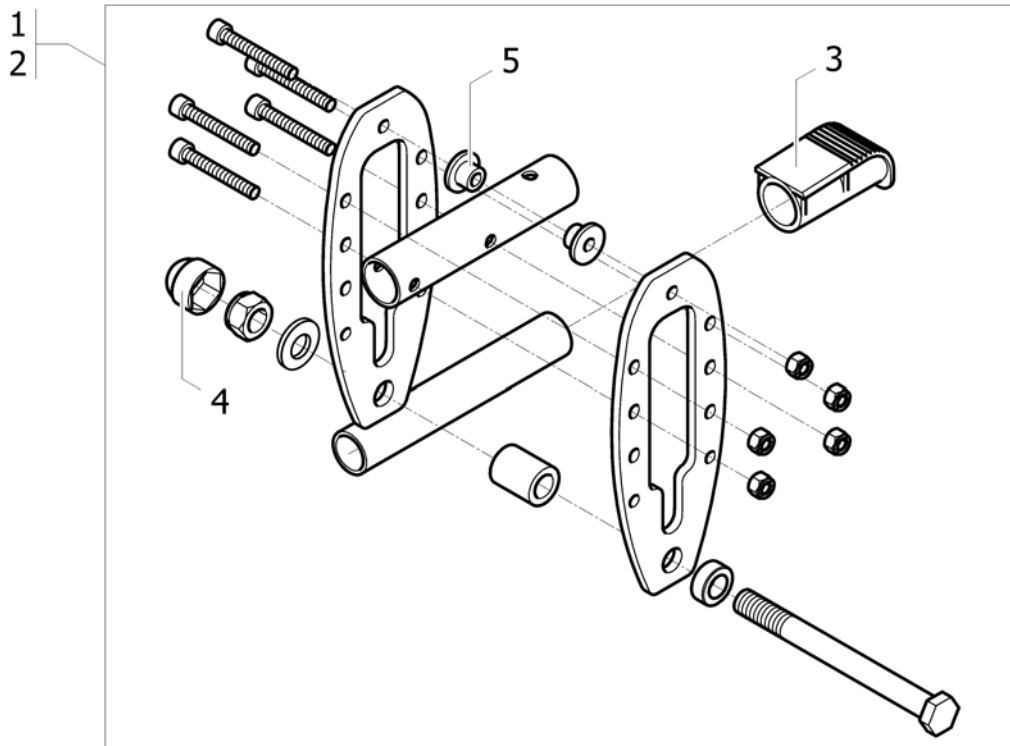
## 12" Rear Wheels



15P133305

Pos.	P number	Description	Valid from → until	Qty
1	6001789	12" PNEUMATIC COMPLETE WHEEL		2
2	1535037	12" rear wheel, composite, standard hub, solid tyre, without axle Ø12 <i>Replace 6001790</i>	20091015 →	2
2	1530448	Pair of 12.1/2" solid wheels	20041125 → 20091014	1
3	0572-03002	Complete 70 Hub Brake Composite 12.1/2" Wheel		2
4	1431313	12" transit Pneumatic Tyre + Inner tube		2

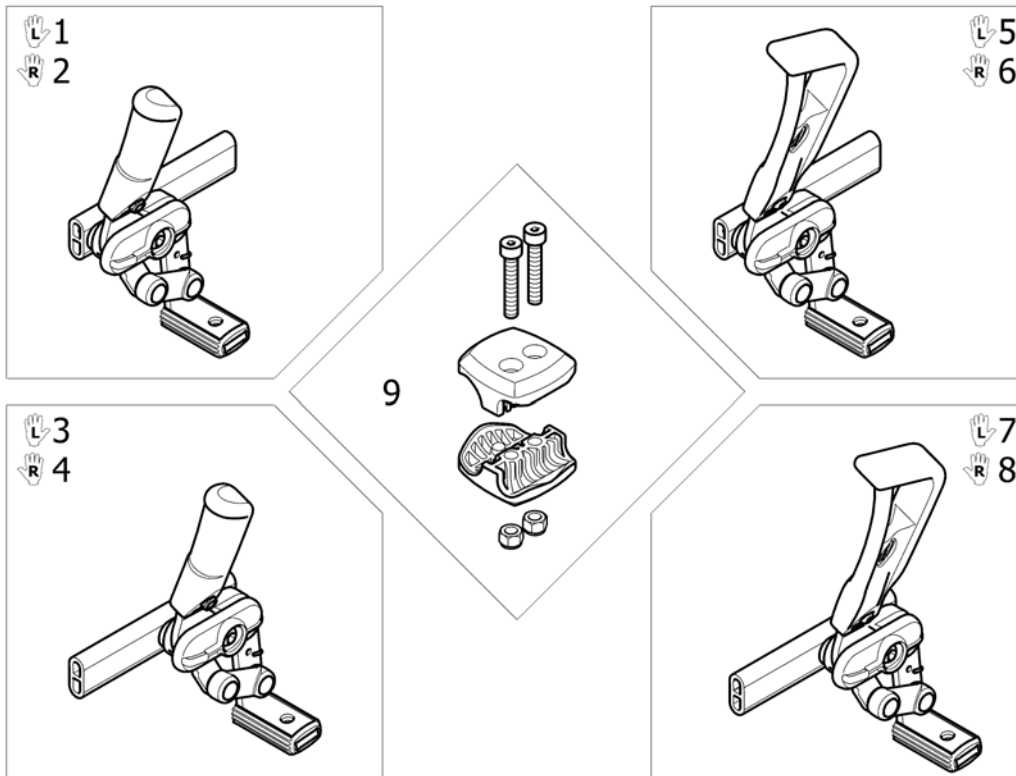
## Rear wheel support transit



ISPS1535357

Pos.	P number	Description	Valid from → until	Qty
1	1431280	Standard Transit Rear Axle		2
2	1431281	Hub Brake Transit Rear Axle		2
3	0021-20011	Black end cap for tipping aid		2
4	0021N20030	C54 Plastic Cap BlackRear Whl		2
5	1428838	Washer Transit P1		4

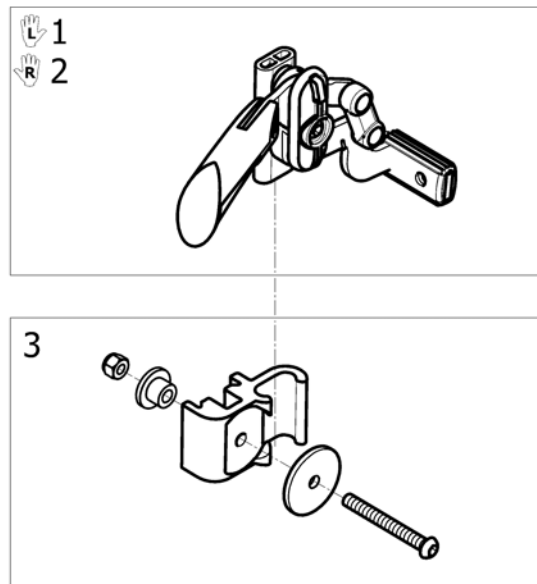
## Push Brakes : Standard And With Extension



12951-05728

Pos.	P	number	Description	Valid from → until	Qty
1		1425634	Brake Lh Long		1
2		1425635	Brake Rh Long		1
3		1425642	Self Propel Brake Assembly LH		1
4		1425643	Self Propel Brake Assembly RH		1
5		1425602	Extended Brake Lh Long		1
6		1425603	Extended Brake Rh Long		1
7		1425640	Self Propel Extended Brake Assembly LH		1
8		1425641	Self Propel Extended Brake Assembly RH		1
9		1423107	Attachment kit, brake		2
9		0572-05715	Brake Support Kit		2

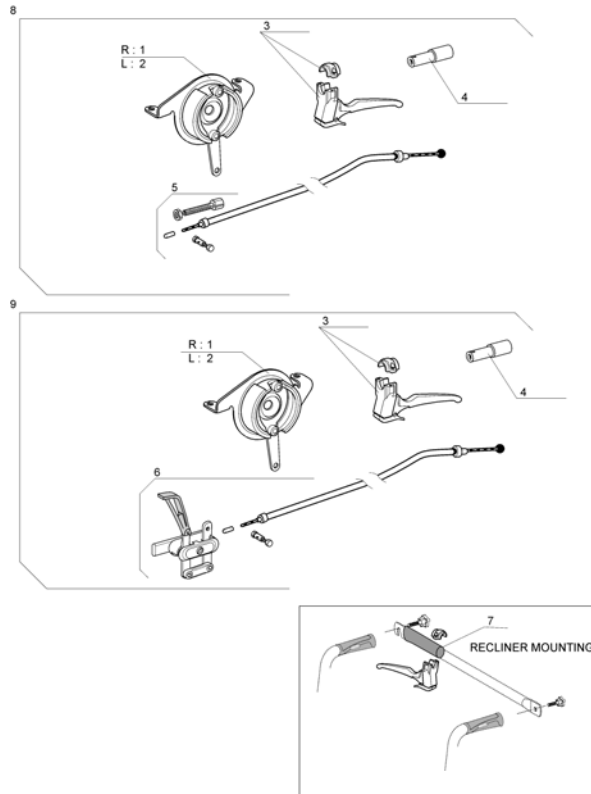
## Push brake Transit



!SPS1535356

Pos.	P number	Description	Valid from → until	Qty
1	1431992	Rh Transit Push to Lock Brake		1
2	1431991	Lh Transit Push to Lock Brake		1
3	1430853	Transit Brake Support Kit		2

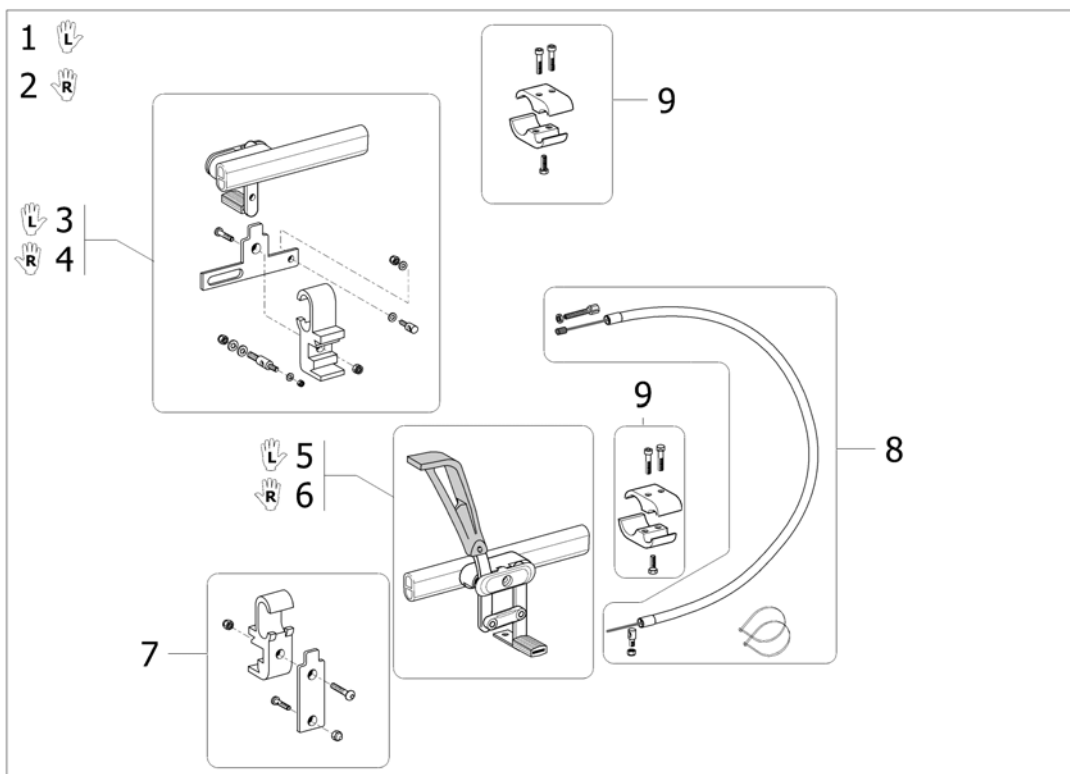
# Attendant Hub Brake



Pos.	P	number	Description	Valid from → until	Qty
1		1423292	Rh Hub Brake Plate 70mm		1
2		1423293	Lh Hub Brake Plate 70mm		1
3		1420527	Black Brake Lever dia 22mm		2
4		1430412	Back brace insert for fixed backrest tube		2
5		1430204	Attendant Hub Brakes Complete Mechanism (pair)		1
6		1430205	Dual hub brakes complete mechanism (pair)	→ 20061231	1
7		1434626	Backbrace Handle		2
8		1445674	Attendant Hub Brakes Complet Kit (Without Wheel & Axle)		1
9		1445675	Dual Hub Brakes Complet Kit (Without Wheel & Axle)	→ 20061231	1
-		AP1543359	Transformation kit hub brake attendant Action 3 NG 12 pneumatic (including wheels)		1
-		AP1543360	Transformation kit hub brake attendant Action 3 NG 24 pneumatic (including wheels)		1
-		AP1543361	Transformation kit hub brake attendant Action 3 NG 24 solid (including wheels)		1
-		AP1543362	Transformation kit hub brake attendant Action 3 NG 22 pneumatic (including wheels)		1
-		AP1543363	Transformation kit hub brake attendant Action 3 NG 22 solid (including wheels)		1

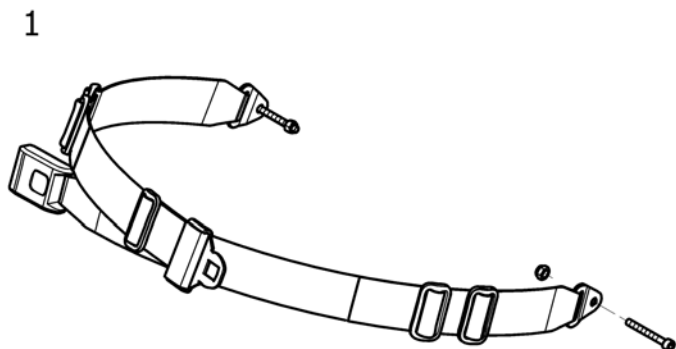


# Oad Wire Control Brake



Pos.	P	number	Description	Valid from → until	Qty
1		1430203	One Arm Brake Cpl, Le		1
2		1430202	One Arm Brake Cpl, Ri		1
3		1433461	Brake Unit Cpl, Le, One Arm Brake		1
4		1433462	Brake Unit Cpl, Ri, One Arm Brake		1
5		1430253	Brake Le, One Arm Brake		1
6		1430254	Brake Ri, One Arm Brake		1
7		1433463	Clamp Kit, Wire Control		1
8		1433464	Wire Control Cpl, One Arm Brake		1
9		0572-05715	Brake Support Kit		2

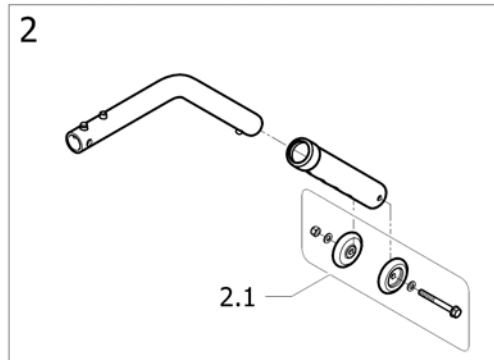
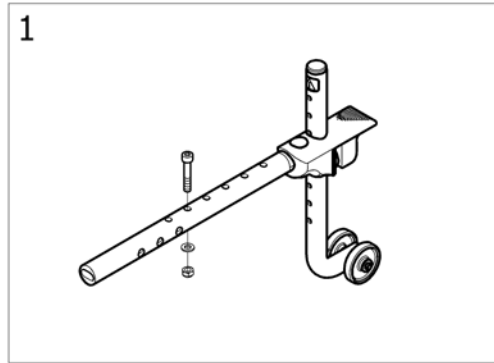
# Lapt belts



0572-05389

Pos.	P number	Description	Valid from → until	Qty
1	0572-05389	Pelvic Belt, Spirea4Ng <i>Replace 0572-02049</i>		1

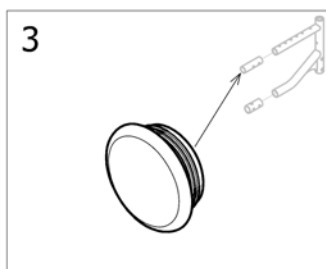
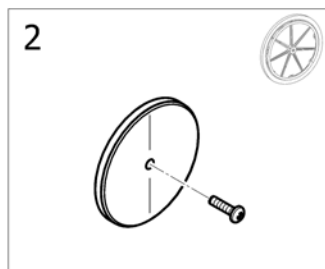
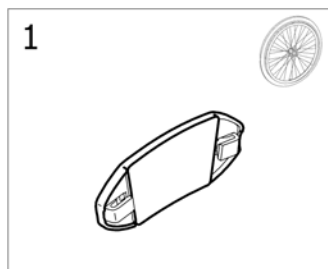
## Rear Anti Tipper And Tipping Tube



!SPS1550875 ~ sps1548725\_01

Pos.	P number	Description	Valid from → until	Qty
1	1484890	Anti-tippers A3/A4 types (one side only)		2
2	0572-05848	Kit anti-tippers		2
2.1	1548802	Kit wheels + attachment anti-tippers (washers out)		2

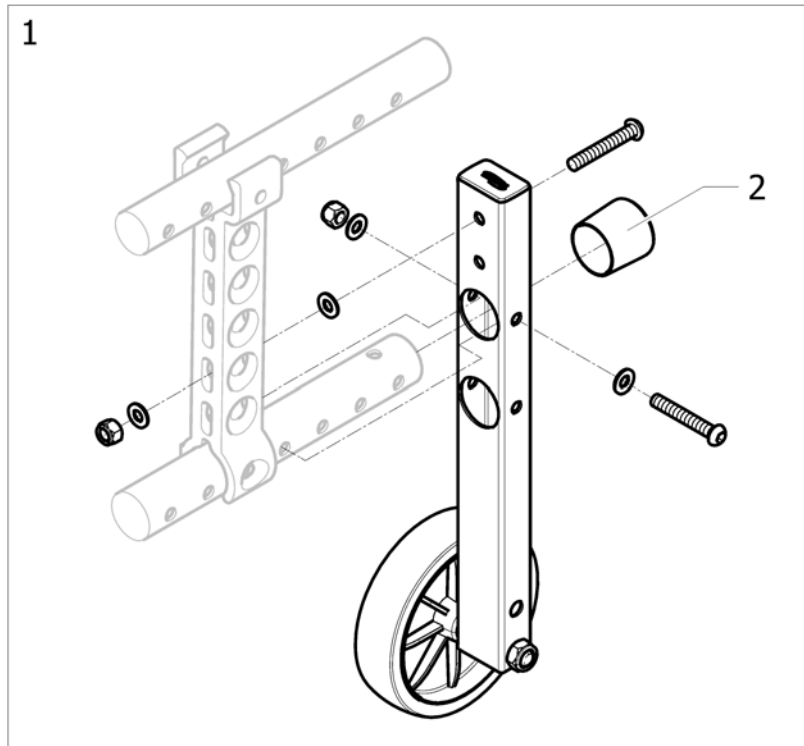
# Reflectors



!SPS1495928

Pos.	P number	Description	Valid from → until	Qty
1	N90003	Kit reflectors orange for spoked wheels		2
2	9037-30001	Kit reflectors orange for composite wheels		2
3	1545553	End tube Ø22 reflector red		2

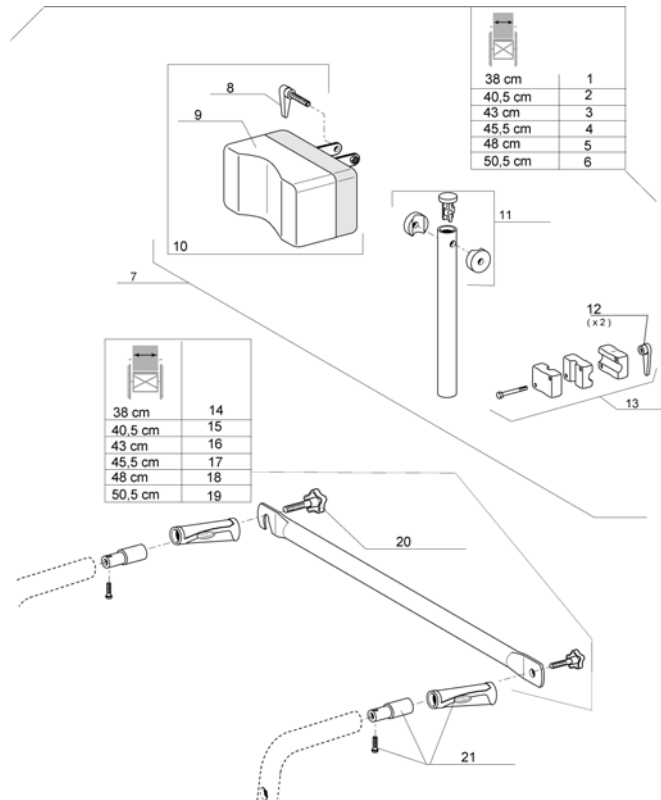
# Transfer Kit



15751495040

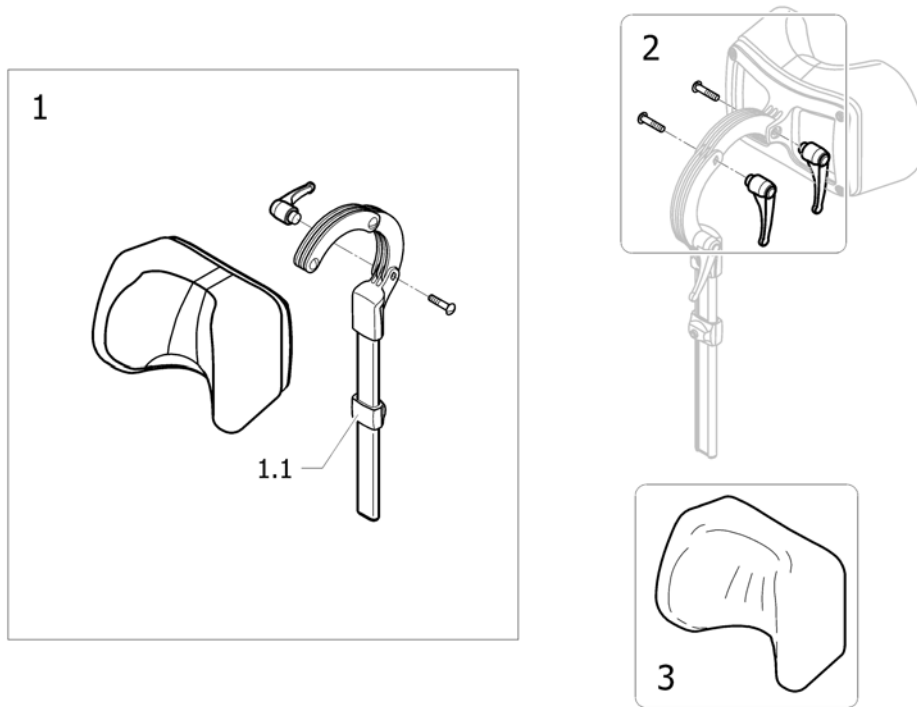
Pos.	P number	Description	Valid from → until	Qty
1	1492139	Pair of anti-barrier wheels kit		1
2	0021N05386	Frame cap black 1		2

# Standard Headrest



Pos.	P number	Description	Valid from → until	Qty
1	1433028	Headrest + Backbrace + Fixation Set W 38Cm		1
2	1433029	Headrest + Backbrace + Fixation Set W 40,5Cm		1
3	1433030	Headrest + Backbrace + Fixation Set W 43Cm		1
4	1433031	Headrest + Backbrace + Fixation Set W 45,5Cm		1
5	1433032	Headrest + Backbrace + Fixation Set W 48Cm		1
6	1433033	Headrest + Backbrace + Fixation Set W 50,5Cm		1
7	1433702	Comfort Headrest + Support Tube		1
8	1428595	Indexable Lever; M6X40		1
9	1420507	Headrest Pad Comfort Vinyle		1
10	1432623	Headrest Cushion + Fixation		1
11	1432622	Headrest Tube Kit		1
12	1428547	Indexable Lever; Female M6		1
13	1432617	Headrest Support Kit		1
14	1434099	Back brace with inserts and handles SW38		1
15	1434100	Back brace with inserts and handles SW40.5		1
16	1433707	Back brace with inserts and handles SW43		1
17	1433708	Back brace with inserts and handles SW45.5		1
18	1433716	Back brace with inserts and handles SW48		1
19	1434105	Back brace with inserts and handles SW50,5		1
20	0021-60029	Button Ø32 mm M6x16		2
21	1430412	Back brace insert for fixed backrest tube		2


## Comfort Headrest

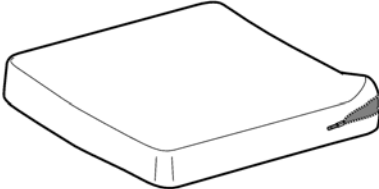


!SPS1548246

Pos.	P	number	Description	Valid from → until	Qty
1		1508848	Neckrest		1
1.1		1448661	Stop Cpl., Neck- & Headrest		1
2		1445693	Clinic Kit, Neck- & Headrest		1
3		1518517	Cover, Neckrest		1

# Cushions

		
	SD40	SD45
SW38	1	4
SW40.5	1	4
SW43	2	5
SW45.5	2	5
SW48	3	6
SW50.5	3	6

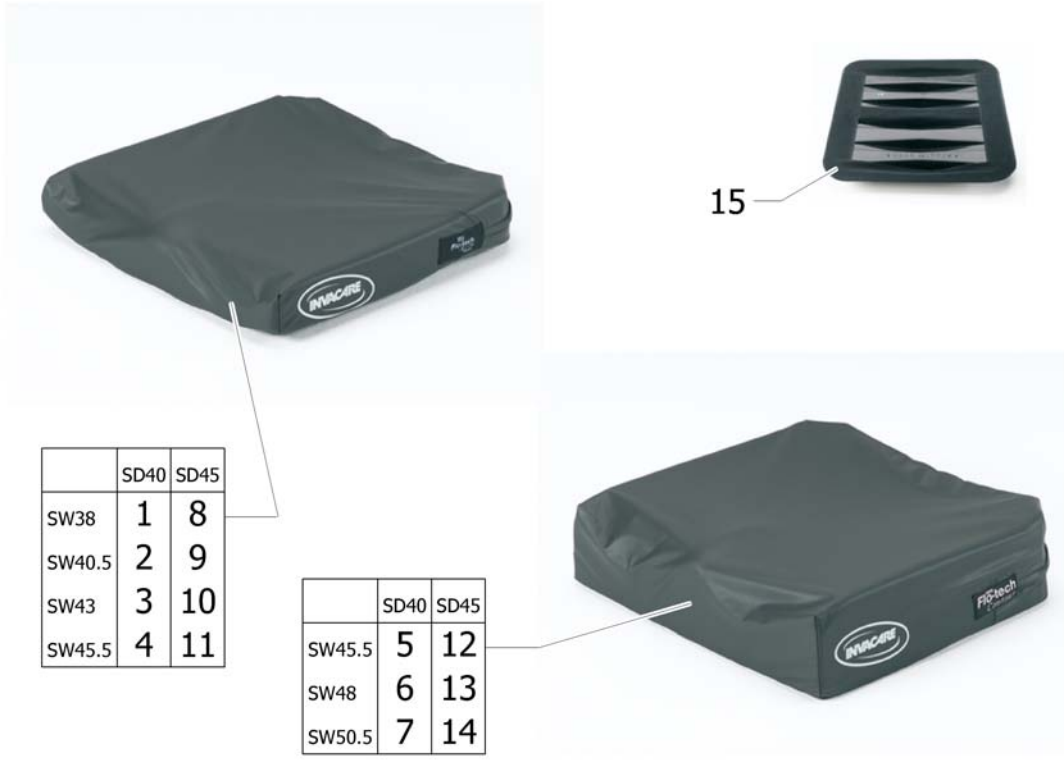


!SPS1495877

Pos.	P	number	Description	Valid from → until	Qty
1		1541977	Cushion Foam Nylon W 38 x D 40 cm <i>Replace 0572-05013</i>		1
2		1541979	Cushion Foam Nylon W 43 x D 40 cm <i>Replace 0572-05017</i>		1
3		1541981	Cushion Foam Nylon W 48 x D 40 cm <i>Replace 1418615</i>		1
4		1541978	Cushion Foam Nylon W 38 x D 45 cm <i>Replace 0572-05014</i>		1
5		1541980	Cushion Foam Nylon W 43 x D 45 cm <i>Replace 0572-05018</i>		1
6		1541982	Cushion Foam Nylon W 48 x D 45 cm <i>Replace 1418616</i>		1



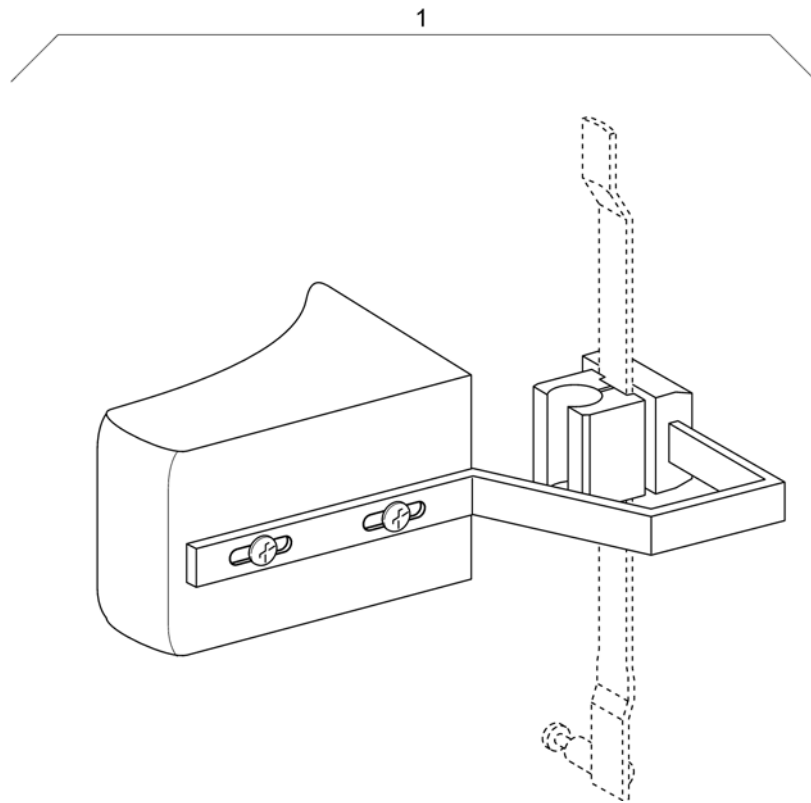
## Cushions Visco



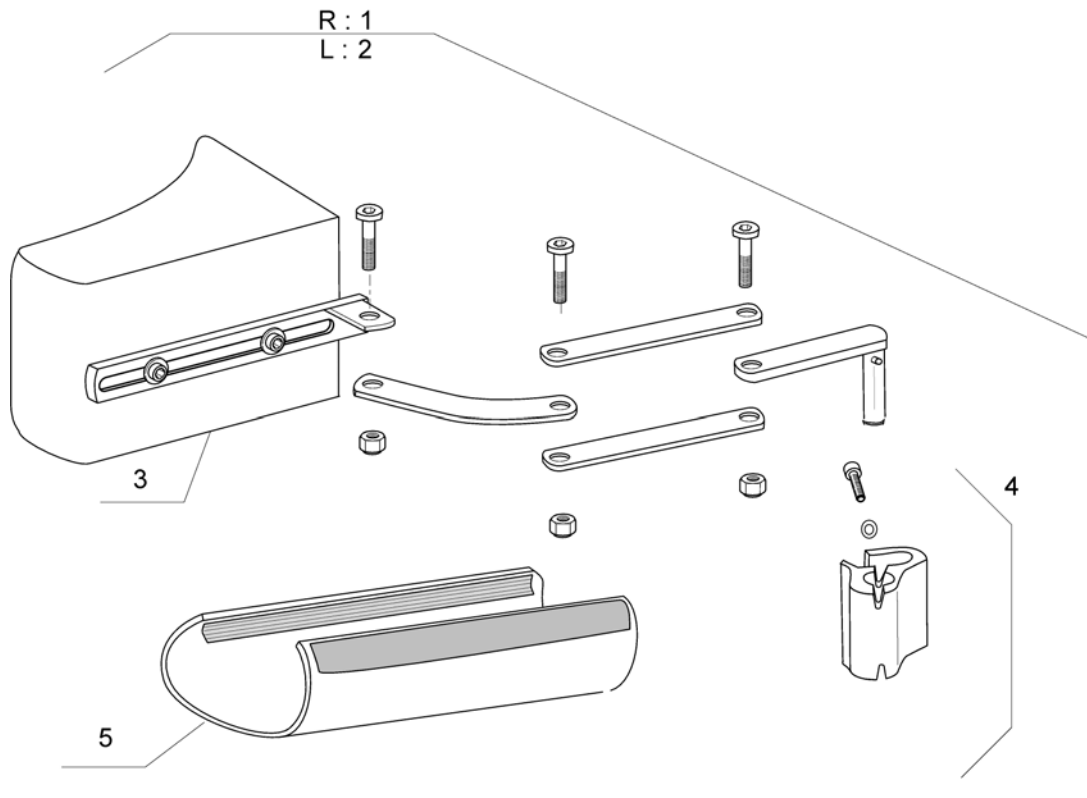
15PIS1528882

Pos.	P	number	Description	Valid from → until	Qty
1	1501111		Flo-tech Lite Visco - W38 x D40,5 x H7,8cm low memory firm MUW:100Kg (FLSB15/16/LMF/SGL)		1
2	1501109		Flo-tech Lite Visco - W40,5 x D40,5 x H7,8cm low memory firm MUW:100Kg (FLSB16/16/LMF/SGL)		1
3	1501107		Flo-tech Lite Visco - W43 x D40,5 x H7,8cm low memory firm MUW:100Kg (FLSB17/16/LMF/SGL)		1
4	1523826		Flo-tech Lite Visco - W45,5 x D40,5 x H7,8cm low memory firm MUW:100Kg (FLSB18/16/LMF/SGL)		1
5	1501114		Flo-tech Contour Visco - W45,5 x D40,5 x H12cm low memory firm MUW:100Kg (FCSB18/16/LMF/SGL)		1
6	1501116		Flo-tech Contour Visco - W48 x D40,5 x H12cm low memory firm MUW:100Kg (FCSB19/16/LMF/SGL)		1
7	1501118		Flo-tech Contour Visco - W50,5 x D40,5 x H12cm low memory very firm MUW:125Kg (FCSB20/16/LMF/SGL)		1
8	1525532		Flo-tech Lite Visco - W38 x D45,5 x H7,8cm low memory firm MUW:100Kg (FLSB15/18/LMF/SGL) <i>Replace 1501112</i>		1
9	1525533		Flo-tech Lite Visco - W40,5 x D45,5 x H7,8cm low memory firm MUW:100Kg (FLSB16/18/LMF/SGL) <i>Replace 1501110</i>		1
10	1525534		Flo-tech Lite Visco - W43 x D45,5 x H7,8cm low memory firm MUW:100Kg (FLSB17/18/LMF/SGL) <i>Replace 1501108</i>		1
11	1525535		Flo-tech Lite Visco - W45,5 x D45,5 x H7,8cm low memory firm MUW:100Kg (FLSB18/18/LMF/SGL)		1
12	1526608		Flo-tech Contour Visco - W45,5 x D45,5 x H12cm low memory firm MUW:100Kg (FCSB18/18/LMF/SGL) <i>Replace 1501115</i>		1
13	1525020		Flo-tech Contour Visco - W48 x D45,5 x H12cm low memory very firm MUW:125Kg (FCSB19/18/LMF/SGL) <i>Replace 1501117</i>		1
14	1525021		Flo-tech Contour Visco - W50,5 x D45,5 x H12cm low memory very firm MUW:125Kg (FCSB20/18/LMF/SGL) <i>Replace 1501119</i>		1
15	AP1487165		Seat cushion rigidiser		1

# Trunk Support

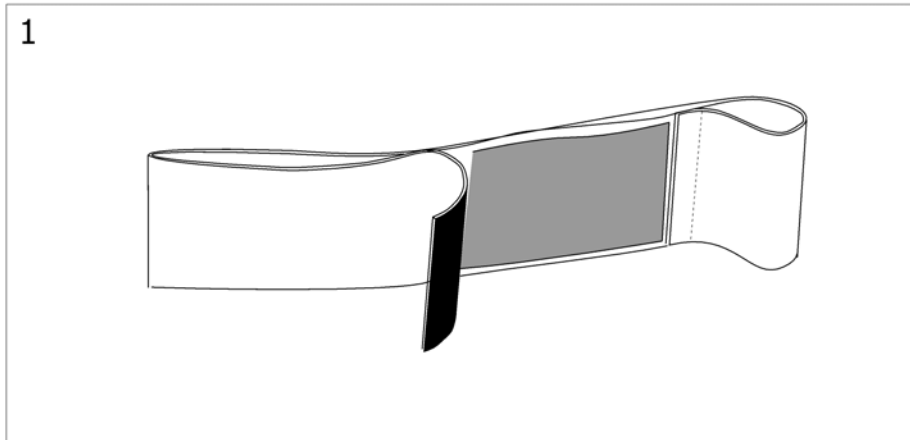


Pos.	P number	Description	Valid from → until	Qty
1	1422587	Trunk Support	→ 20061231	2



Pos.	P	number	Description	Valid from → until	Qty
1		1436044	Complet Rh Trunk Support Comfort Dartex	→ 20081231	1
2		1436032	Complet Lh Trunk Support Comfort Dartex	→ 20081231	1
3		1440896	Trunk Support Pad Dartex	→ 20081231	2
4		1442517	Trunk Support Fixation	→ 20081231	2
5		1437642	Cover, Trunksupport Swingaway	→ 20081231	2

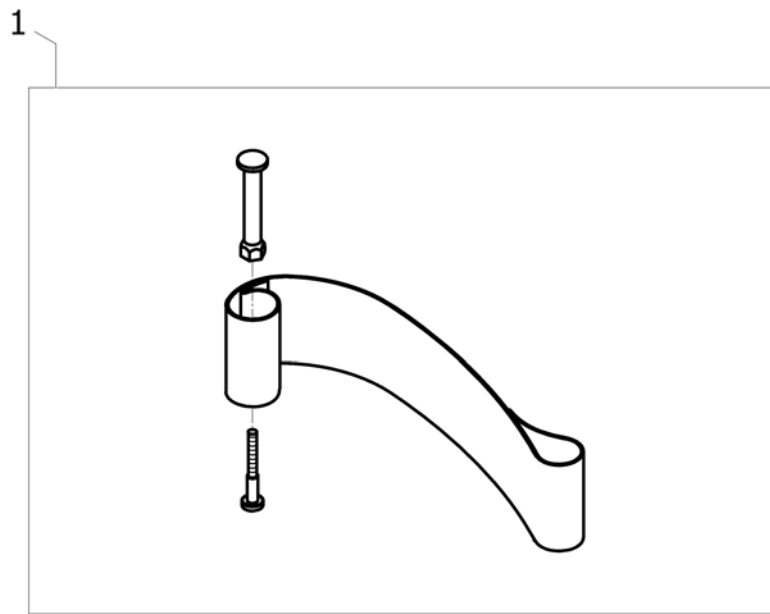
# Calf Strap



15751-092880

Pos.	P number	Description	Valid from → until	Qty
1	1433580	Adjustable Calf Strap w 38cm 48 cm		1

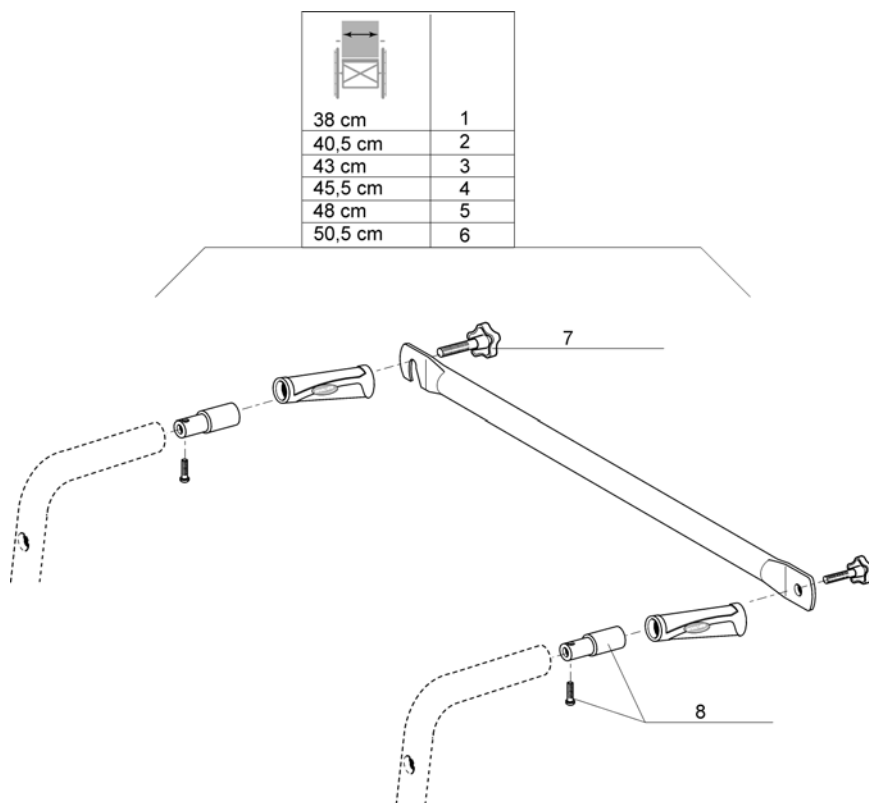
## Heels strap



1534891

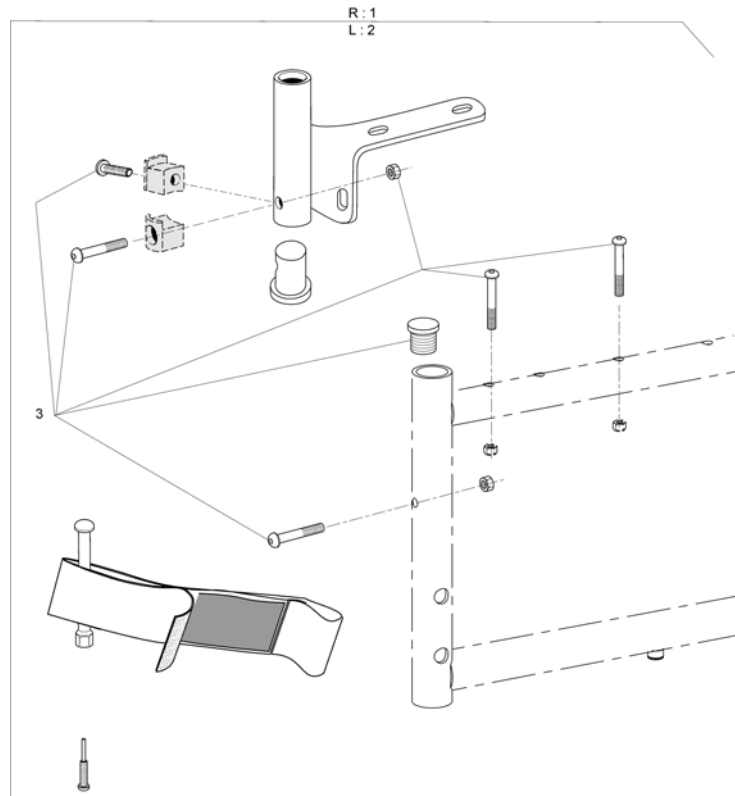
Pos.	P number	Description	Valid from → until	Qty
1	1492315	Heels Strap Adjustable <i>Replace 1534891</i>		2

## Back Brace



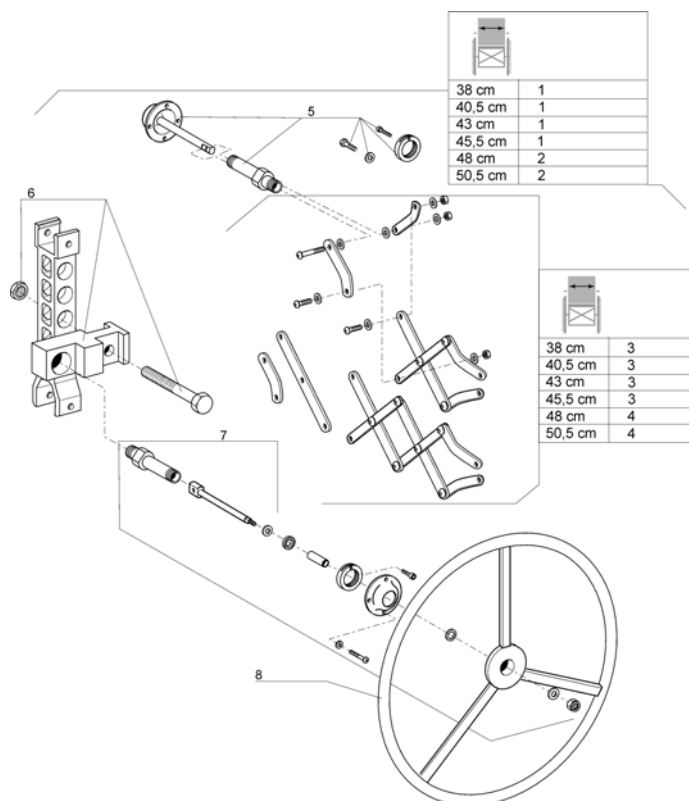
Pos.	P number	Description	Valid from → until	Qty
1	1434099	Back brace with inserts and handles SW38		1
2	1434100	Back brace with inserts and handles SW40.5		1
3	1433707	Back brace with inserts and handles SW43		1
4	1433708	Back brace with inserts and handles SW45.5		1
5	1433716	Back brace with inserts and handles SW48		1
6	1434105	Back brace with inserts and handles SW50,5		1
7	0021-60029	Button Ø32 mm M6x16		2
8	1430412	Back brace insert for fixed backrest tube		2

# Hanger Adaptator



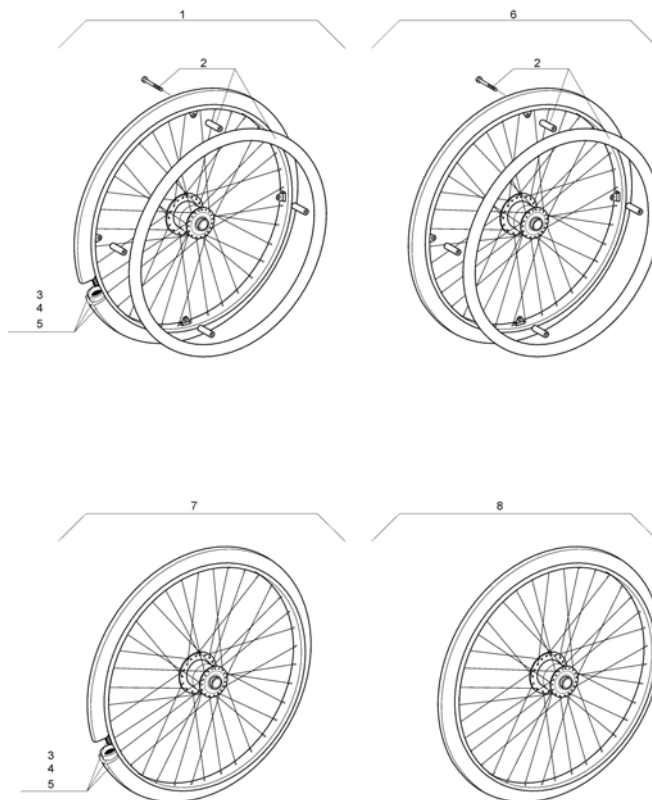
Pos.	P number	Description	Valid from → until	Qty
1	1442992	Rh Hanger Adaptator	→ 20081231	1
2	1442993	Lh Hanger Adaptator	→ 20081231	1
3	1443022	Mounting Kit Hanger Adaptator	→ 20081231	2

## Dual Handrim, Fixed Axle



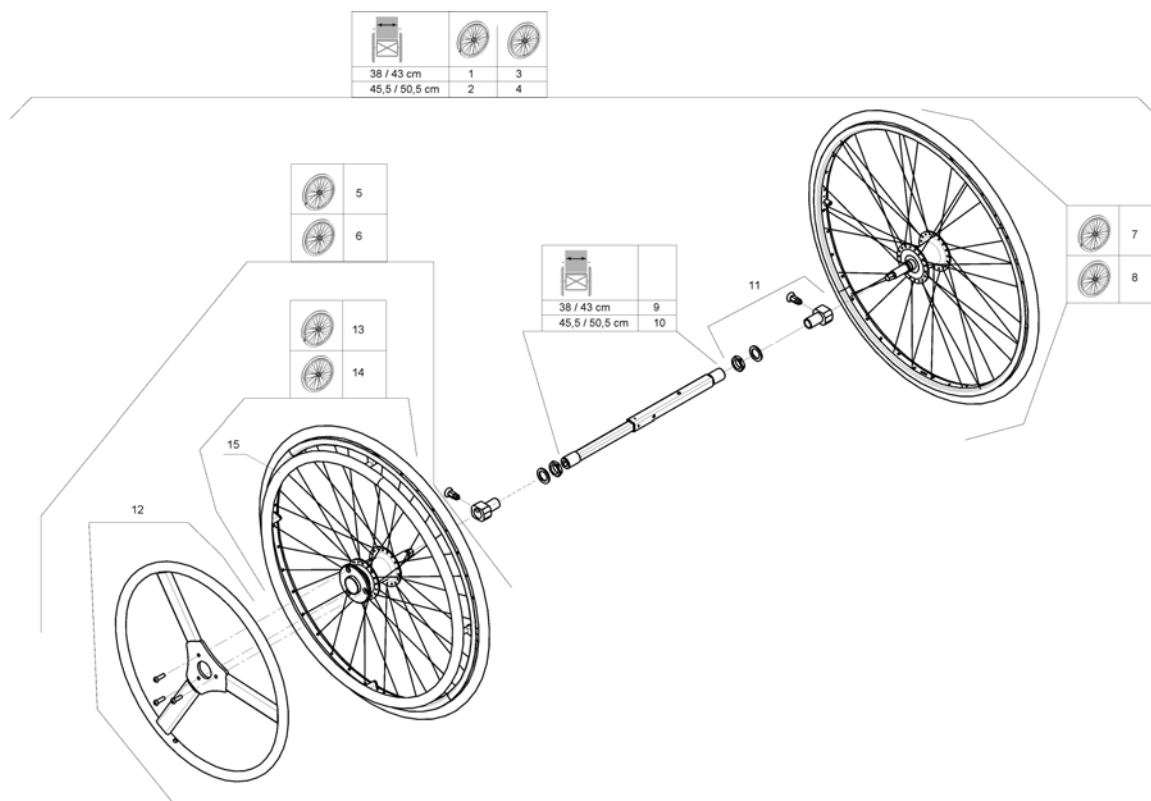
Pos.	P number	Description	Valid from → until	Qty
1	1432528	Dual Handrim Fixed Axle Assy W 38/40,5/43/ 45,5Cm	→ 20071231	1
2	1432531	Dual Handrim Fixed Axle Assy W 48/ 50,5Cm	→ 20071231	1
3	1432526	Short Pantograph W 38/40,5/43/ 45,5Cm	→ 20071231	1
4	1432527	Long Pantograph W 48/ 50,5Cm	→ 20071231	1
5	1432621	Dual Handrim Complete Axle Without Handrim Side	→ 20071231	1
6	1432619	Dual Handrim Fixed Wheel Support Fixation Kit	→ 20071231	1
7	1432620	Dual Handrim Complete Axle Handrim Side	→ 20071231	1
8	0410K05234	External hand rim for double control hand rim	→ 20071231	1





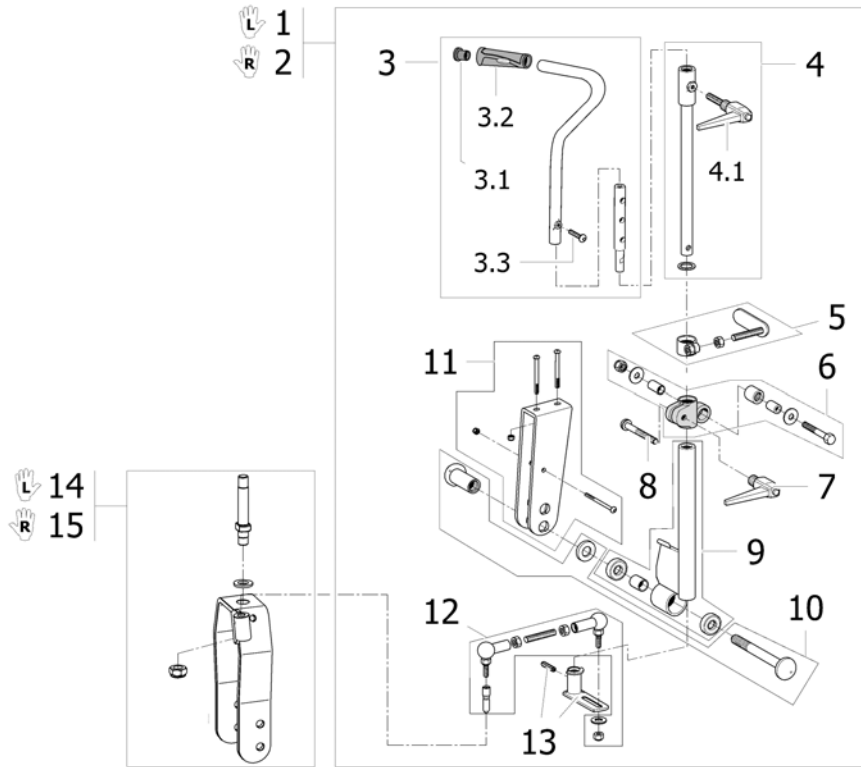
Pos.	P number	Description	Valid from → until	Qty
1	0572-06842	24" hemi hub spoked wheel + pneumatic tyre		1
2	1431316	24" chromed hand rim 4 fixations		1
3	0036-30001	24" x 1.3/8" pneumatic tyre		1
4	0036-20001	24" x 1.3/8" inner tube		1
5	0036-40003	24" rim tape		1
6	0572-06843	24" hemi hub spoked wheel + solid tyre		1
7	0572-06914	24" hemi hub spoked wheel + pneumatic tyre w/o hand rim		1
8	0572-06915	24" hemi hub spoked wheel + solid tyre w/o hand rim		1

## Dual handrim QR axle



Pos.	P	number	Description	Valid from → until	Qty
1		1513269	Dual handrim DHR pneumatic kit assy 38/43 cm <i>Parts from old system (before 10/2007) must be rep</i>		1
2		1513270	Dual handrim DHR pneumatic kit assy 45,5/50,5 cm <i>Parts from old system (before 10/2007) must be rep</i>		1
3		1513271	Dual handrim DHR solid kit assy 38,5/43 cm <i>Parts from old system (before 10/2007) must be rep</i>		1
4		1513272	Dual handrim DHR solid kit assy 45,5/50,5 cm <i>Parts from old system (before 10/2007) must be rep</i>		1
5		1509382	24"Pneu, With Rim, One Hand Drive Wheel		1
6		1509436	24" DHR active wheel solid		1
7		1508491	24"Pneu, One Hand Drive Wheel		1
8		1508490	24" DHR passive wheel solid		1
9		1511769	Telescopic Shaft 270-385		1
10		1508487	Telescopic Shaft 345-460		1
11		1513658	DHR wheel axle support complet		1
12		1508484	Small handrim + fixations		1
13		1508485	24" DHR active wheel pneumatic w/o small handrim		1
14		1508486	24" DHR active wheel solid w/o small handrim		1
15		1514223	24" Aluminium handrim + 6 fixations		1

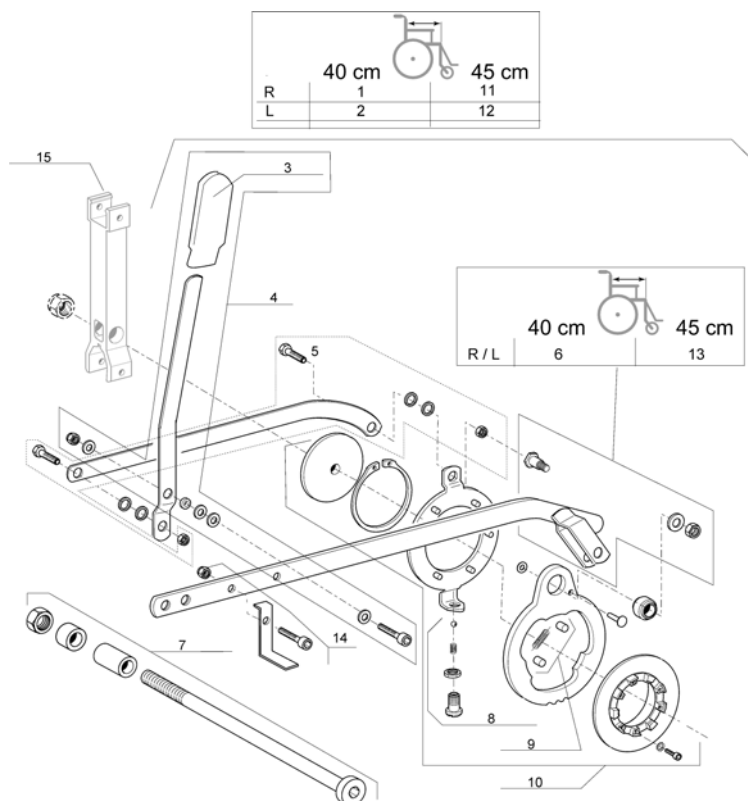
# Hand Control For Oad By Lever



15P31-05872

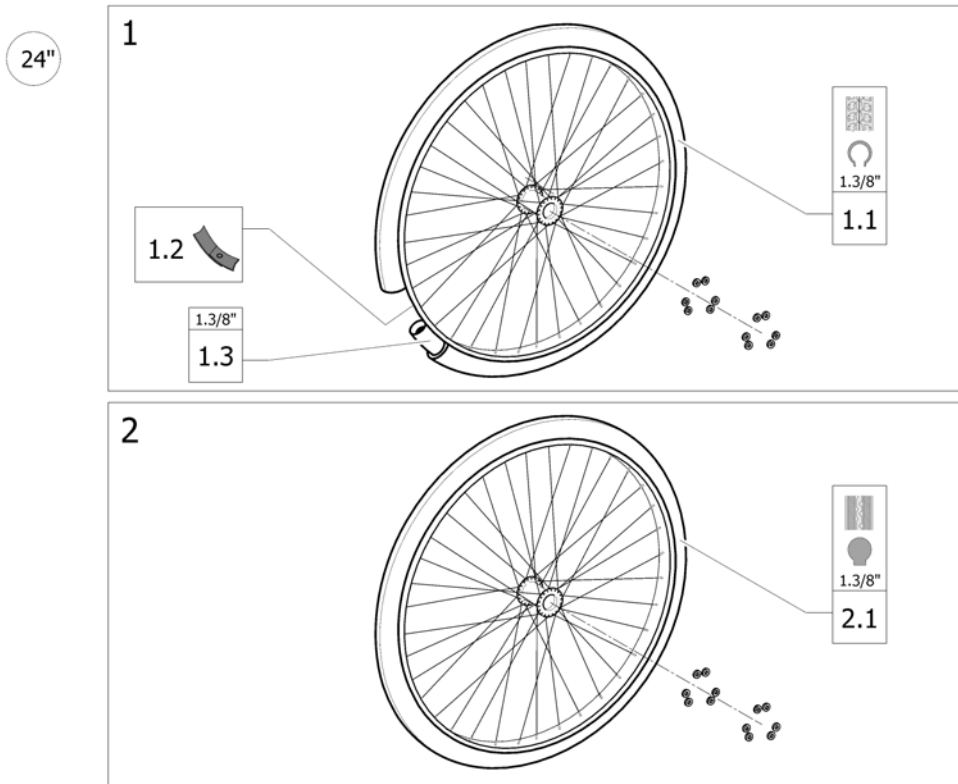
Pos.	P	number	Description	Valid from → until	Qty
1		1432936	Oad By Lever Hand Control Lh Completed Kit		1
2		1432935	Oad By Lever Hand Control Rh Completed Kit		1
3		1432624	Oad by lever hand control assy		1
3.1		1418112	Black cap to be inserted Ø22x15		1
3.2		1425473	Invacare Push Handle <i>Replace 1435421</i>		1
3.3		0029-40049	Cbhc screw m8x30; 8.8		1
4		1432625	Oad by lever hand lever shaft		1
4.1		0021-70002	Indexable lever 63mm M8x16		1
5		1432627	Oad by lever brake shoe assy		1
6		1432998	Oad by lever adjustable sleeve assy		1
7		0021-70011	Indexable lever 63 m8		1
8		0029-40252	Clamp screw m8 x 1 1/4"		1
9		1432999	Oad By Lever Equalizer		1
10		1433000	Equalizer Completed Axle		1
11		1433003	Equalizer Support + Fixation		1
12		1534241	Oad By Lever Ball Joint Kit <i>Replace 1433001</i>		1
13		1433002	Oad by lever steering bush + fixation		1
14		1444996	Oad By Lever Fork And Axle Kit Lh <i>Replace 1432997</i>		1
15		1444995	Oad By Lever Fork And Axle Kit Rh >01/2005 <i>Replace 1432996</i>		1

# Oad By Lever



Pos.	P number	Description	Valid from → until	Qty
1	1432932	Oad by lever rh transmission kit depth 40 cm		1
2	1432933	Oad by lever lh transmission kit depth 40 cm		1
3	0240-05576	End cap lever oad by lever		1
4	1432930	Oad by lever reverse link + fixation		1
5	1433010	Inversion link + fixation		1
6	1433006	Transmission link + fixation d 40cm		1
7	1433502	Mb2 oad by lever rear wheel axle kit		1
8	9742-84304	Hollow screw + ball + spring		1
9	9028-40005	Oad by lever spring + cam		1
10	1433009	Driving cam completed		1
11	1435910	Oad By Lever Rh Transmission Kit D45Cm		1
12	1435911	Oad By Lever Lh Transmission Kit D 45Cm		1
13	1435912	Transmission Link + Fixation D 45Cm		1
14	1442034	Oad By Lever Brake Kit D 45 Cm		1
15	1534887	Rear wheel support for fixed axle <i>Replace 1431283</i>		1

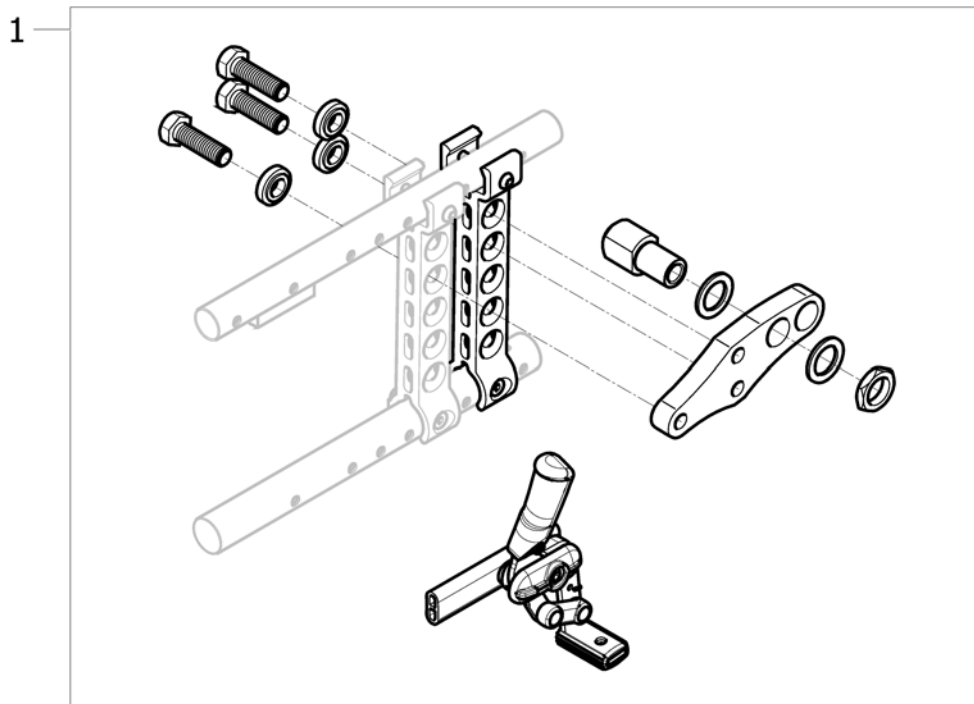
## Wheels For Oad By Lever



ISPS1507887

Pos.	P	number	Description	Valid from → until	Qty
1		1509380	24" x 1.3/8" oad spoked wheel + pneumatic tyre		2
1.1		0036-30001	24" x 1.3/8" pneumatic tyre		2
1.2		0036-40003	24" rim tape		2
1.3		0036-20001	24" x 1.3/8" inner tube		2
2		1509381	24" x 1.3/8" oad spoked wheel + solid tyre		2
2.1		0036-10013	24" x 1.3/8" solid tyre		2

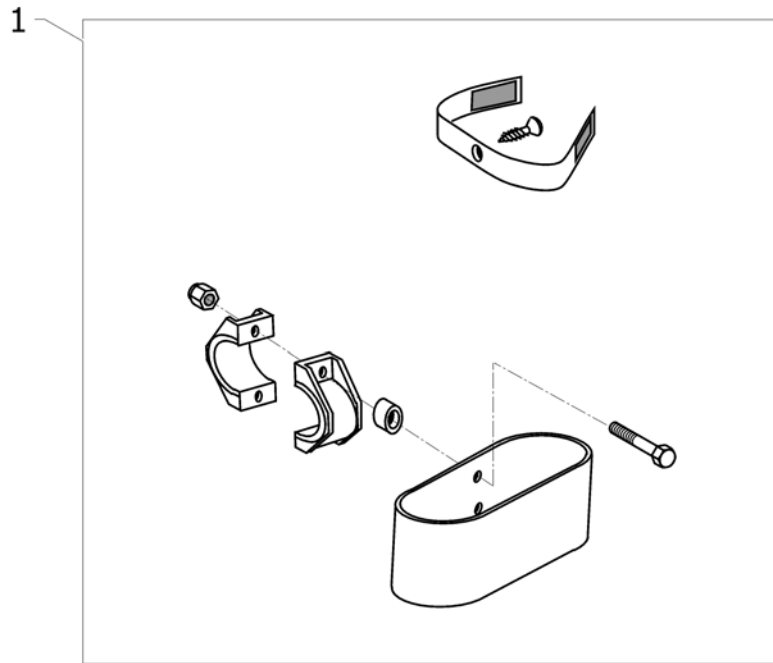
## Dual Amputee Position



12511493276

Pos.	P number	Description	Valid from → until	Qty
1	AP1468002	Dual Amputee Position Kit (pair)		1

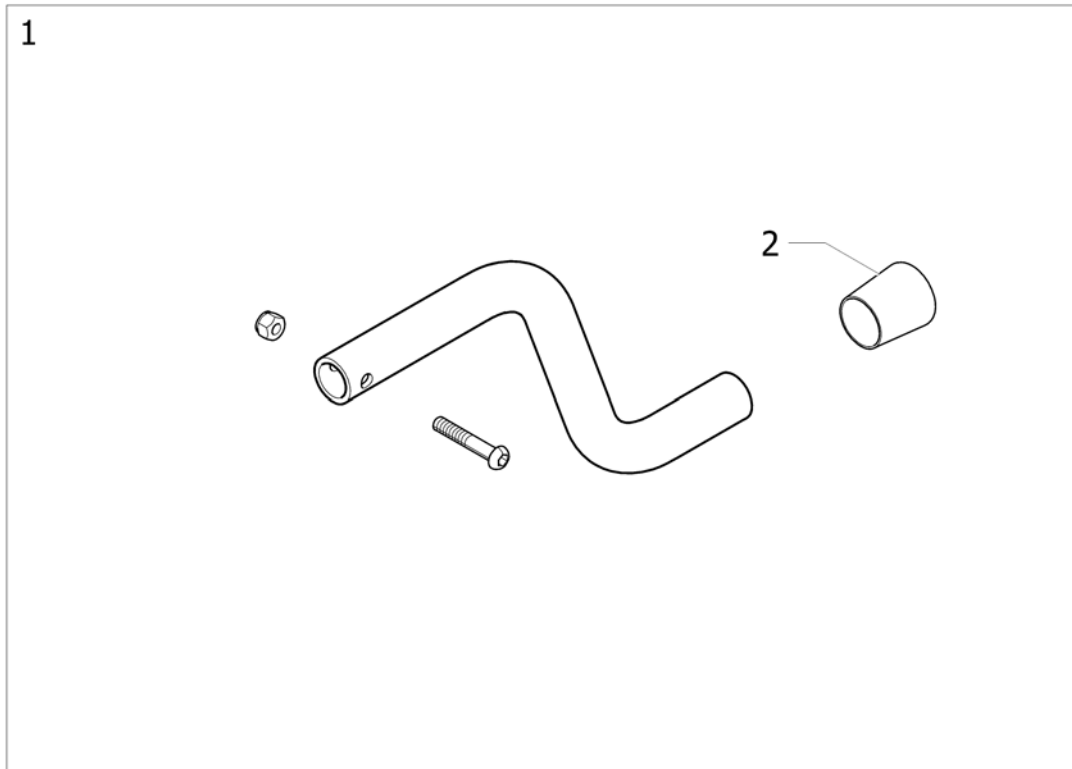
# Cane holder



15P5133401

Pos.	P number	Description	Valid from → until	Qty
1	0572-02056	Cane Holder		1

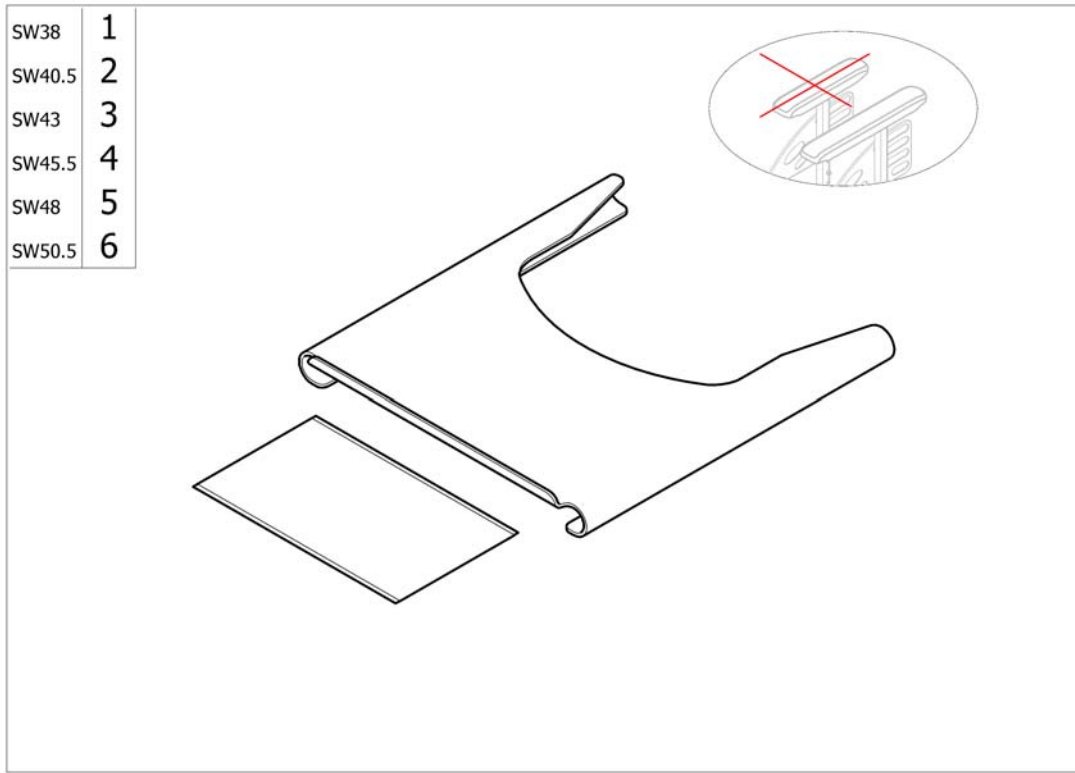
# Tipping tube



Pos.	P	number	Description	Valid from → until	Qty
1		0572-05143	Tipping Tube		1
2		0021-30015	22mm Ext Cap		1

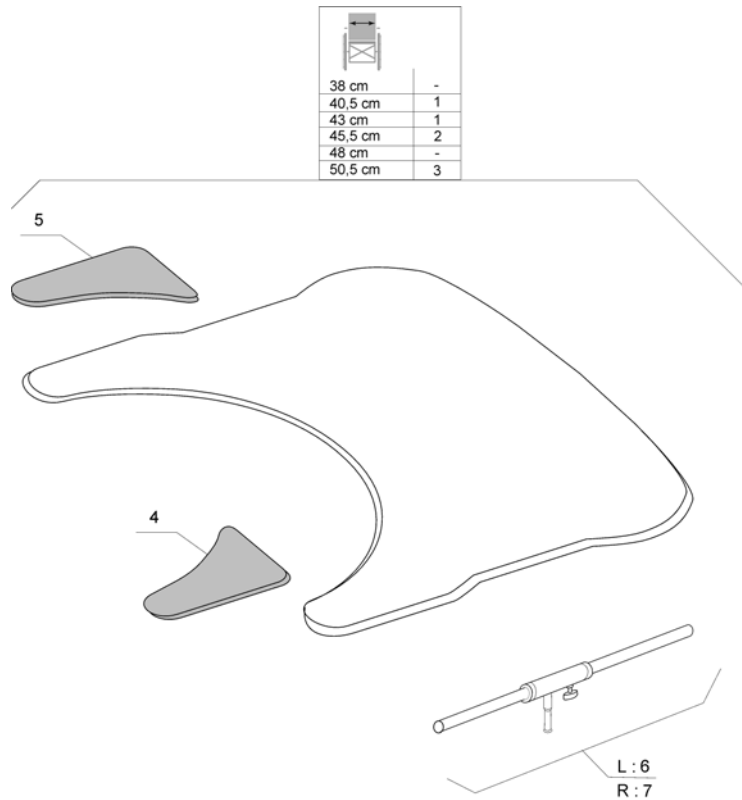


## Transparent Tray



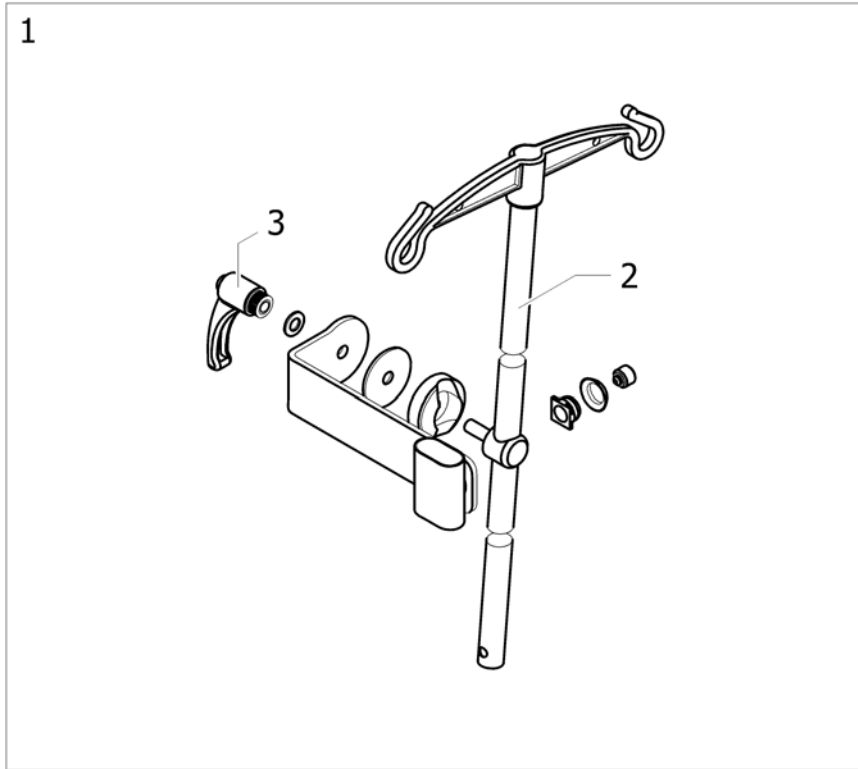
Pos.	P	number	Description	Valid from → until	Qty
1		1450921	Transparent tray Action with anti_slip mat SW38cm		1
2		1450922	Transparent tray Action with anti_slip mat SW40,5cm		1
3		1450923	Transparent tray Action with anti_slip mat SW43cm		1
4		1450924	Transparent tray Action with anti_slip mat SW45,5cm		1
5		1450925	Transparent tray Action with anti_slip mat SW48cm		1
6		1450926	Transparent tray Action with anti_slip mat SW50,5cm		1

# Comfort Tray



Pos.	P	number	Description	Valid from → until	Qty
1		5206727	Table Tray S, Cpl + Mounting Kit		1
2		5206726	Table Tray M, Cpl + Mounting Kit		1
3		5206725	Table Tray L, Cpl + Mounting Kit		1
4		5221346	Rh Elbowpad Table		1
5		5221354	Lh Elbowpad Table		1
6		5206648	Guide Tube Cpl, Left		1
7		5206649	Guide Tube Cpl, Right		1

# Dripstand



ISPS1496085

Pos.	P number	Description	Valid from → until	Qty
1	1440897	DRIPSTAND + FIXATION	→ 20081231	1
2	2240-06160	Dripstand	→ 20081231	1
3	0021-70011	Indexable lever 63 m8	→ 20081231	1



Yes, you can.®



---

**Belgium & Luxemburg:**

Invacare nv, Autobaan 22, B-8210 Loppem  
Tel: (32) (0)50 83 10 10, Fax: (32) (0)50 83 10 11  
belgium@invacare.com

**Danmark:**

Invacare A/S, Sdr. Ringvej 37, DK-2605 Brøndby  
Tel: (45) (0)36 90 00 00, Fax: (45) (0)36 90 00 01  
denmark@invacare.com

**Deutschland:**

Invacare Aquatec GmbH, Alemannenstraße 10, D-88316 Isny  
Tel: (49) (0)75 62 7 00 0, Fax: (49) (0)75 62 7 00 66  
info@invacare-aquatec.com

**European Distributor Organisation:**

Invacare, Kleiststraße 49, D-32457 Porta Westfalica  
Tel: (49) (0)57 31 754 540, Fax: (49) (0)57 31 754 541  
edo@invacare.com

**España:**

Invacare SA, c/Areny s/n, Polígon Industrial de Celrà, E-17460 Celrà (Girona)  
Tel: (34) (0)972 49 32 00, Fax: (34) (0)972 49 32 20  
contactsp@invacare.com

**France:**

Invacare Poirier SAS, Route de St Roch, F-37230 Fondettes  
Tel: (33) (0)2 47 62 64 66, Fax: (33) (0)2 47 42 12 24  
contactfr@invacare.com

**Ireland:**

Invacare Ireland Ltd, Unit 5 Seatown Business Campus, Seatown Road, Swords, County Dublin - Ireland  
Tel: (353) 1 810 7084, fax: (353) 1 810 7085  
ireland@invacare.com

**Italia:**

Invacare Mecc San s.r.l., Via dei Pini 62, I-36016 Thiene (VI)  
Tel: (39) 0445 38 00 59, Fax: (39) 0445 38 00 34  
italia@invacare.com

**Nederland:**

Invacare BV, Celsiusstraat 46, NL-6716 BZ Ede  
Tel: (31) (0)318 695 757, Fax: (31) (0)318 695 758  
nederland@invacare.com, cse@invacare.com

**Norge:**

Invacare AS, Grensesvingen 9, Postboks 6230, Etterstad, N-0603 Oslo  
Tel: (47) (0)22 57 95 00, Fax: (47) (0)22 57 95 01  
norway@invacare.com, island@invacare.com

**Österreich:**

Mobitec Mobilitätshilfen GmbH, Herzog Odilostrasse 101, A-5310 Mondsee  
Tel: (43) 6232 5535 0, Fax: (43) 6232 5535 4  
office@mobitec-austria.com, austria@invacare.com

**Portugal:**

Invacare Lda, Rua Estrada Velha, 949, P-4465-784 Leça do Balio  
Tel: (351) (0)225 1059 46147, Fax: (351) (0)225 1057 39  
portugal@invacare.com

**Sverige & Suomi:**

Invacare AB, Fagerstagatan 9, S-163 91 Spånga  
Tel: (46) (0)8 761 70 90, Fax: (46) (0)8 761 81 08  
sweden@invacare.com, finland@invacare.com

**Switzerland:**

Mobitec Rehab AG, Benkenstrasse 260, CH-4108 Witterswil  
Tel: (41) (0)61 487 70 80, Fax: (41) (0)61 487 70 81  
office@mobitec-rehab.ch, switzerland@invacare.com

**United Kingdom:**

Invacare Limited, Pencoed Technology Park, Pencoed, Bridgend CF35 5HZ  
Switchboard Tel: (44) (0)1656 776200, Fax: (44) (0)1656 776201  
Customer services Tel: (44) (0)1656 776222, Fax: (44) (0)1656 776220  
UK@invacare.com