

Spare Parts Catalogue

Version: 2016/11/14a EN



Invacare® **DRAGON**



Yes, you can.®

General Information

For any order of spare parts the following information is required:

- Product type*
- Product name & model*
- Serial Number*
- Part-Number*
- Part-Description*

Exploded view drawings and code numbers are not contractual and subject to modification, in relation to Invacare® continuous product improvement policy to meet end users needs.

The reproduction or use of this work, or of any substantial part of this work, in any form or by any electronic, mechanical or other means, including photocopying, scanning and recording, and in any information storage and retrieval system, including electronic transmission, is forbidden without the prior written permission of Invacare® International Sarl.



Yes, you can.®

TABLE OF CONTENTS

Information & User Manuals

User Manuals Dragon	7
User Manuals Shark2	8
User Manuals REM 24 SD	9
User Manuals REM 34 & REM 41 Tray/Centre Control	10
User Manuals ACS Handprogrammer	11
User Manuals Miscellaneous	12

Chassis

Chassis	13
Shrouds	14
Rear Swing Arm	15
Anti-Tipper	16

Seat

Rear seat fixation Junior	17
Seat Frame & Plate	18
Seatplate Dragon Start	19
Juniorseat	20
Seat Tilt manually settable	21
Seat Angle Adjusting	22
Seat Cushion Adults	23
Seat Cushion For Junior Seat	24

Backrest

Backrest Adjustment 01/2005 ==>	25
Backrest Adjustment Setable	26
Settable Backrestrecliner Junior Seat	27
Upholstery	28

Legrests / Hangers

Legrest Supports, Junior / Std. 80° / elevating	29
Legrest Support Vari Series (07/2005 =>)	30
Hanger, Std. 80° (01.07.15 =>)	31
Hanger, Std. 80° (=> 30.06.15)	32
Hanger, manually height adjustable	33
Hanger Vari A (04/2009 =>)	34
Hanger Vari ADE/ADP electric (07/2005 =>)	35
Legrests Dragon Junior	36
Calfpad Holder (07/2005 =>)	37

Footplates / Support tubes

Footplate, Standard	38
Footrests Vari, Flip-Up (01.08.10 =>)	39
Footrests Vari, Flip-Up & angle adjustable (01.08.10 =>)	40
Footplate, depth-, angleadjustable, 80°	41
Footrest Details	42



Yes, you can.®

TABLE OF CONTENTS

Armrests

Armrest for Standard-Seat ==> 07/31/08	43
T-Armrest, detachable, with Armpad, for Standard Seat 2008-08-01 ==>	44
Armrest Junior Seat	45

Castors

Front Wheels	46
--------------------	----

Drive Wheels

Rear Wheel	47
------------------	----

Propulsion

Decoupling Dragon Jr.	48
Propulsion Unit Dragon Jr.	49
Propulsion Unit Dragon Jr.	49
Decoupling 6/8 km/h	50
Propulsion Unit Dragon	51
Propulsion Unit Dragon	51

Electronic

Electronic	52
ACS Electronic	53
ACS Electronic Modules	54
Electronic Modules	55
Upgrade-Kit 80A ACS => ACS2, Dragon / Tiger / Topan	56
ACS Remote & Brackets	57
REM 24 SD with brackets	58
Remote REM 24SD	59
Remote Bracket Standard	60
Remote Bracket Swing away & height adjust.	61
Remote Bracket Attendant	62
REM 550 with brackets	63
User Manuals REM 550	64
Remote Bracket Standard	60
Remote Bracket Swing away & height adjust.	61
Remote Bracket Attendant	62
Dual Control with brackets	65
Remote Bracket Dual Control	66
ACS Cables & Accessories	67
Bus-Cables ACS	68
T-Adapter	69
T-Adapter - Modulte Seat	70
Programming Kits	71
Magnetkey for Remotes	72
Shark Electronic	73
Electronic Modules	55
Shark Remote & Brackets	74
Remote Shark DK-REM A05/B11 (==> 2005/12/01)	75
Remote Shark2 DK-REM D01/D11/D21 with Brackets (2005/11/01 ==>)	76



Yes, you can.®

TABLE OF CONTENTS

Remote Bracket Standard	60
Remote Bracket Swing away & height adjust.	77
Remote Bracket Attendant	62
Remote Dual Control with Brackets	78
Remote Bracket Dual Control	79
Bus-Cables Shark	80

Cable, Charger & Batteries

Batteries	81
Chargers	82
Battery support	83
Cables	84

Safety Options

Front Lights	85
Rear Light	86
Rear Light Protector Kit	87
Belts	88

Seat Accessories

Headrest	89
Headrest with cheek support	90

Accessories

Kerb Climber	91
Rearview Mirror	92
Trays	93
Toolkit	94
Options	95

User Manuals Dragon

languages.iso

BG	Български	FR	Français	NL	Nederlands	SV	Svenska
CS	Čeština	HE	עברית	NO	Norsk	UK	Українська
DA	Dansk	HR	Hrvatski	PL	Polski		
DE	Deutsch	HU	Magyar	PT	Português		
EN	English	IT	Italiano	RU	Русский		
ES	Español	JA	日本語	RO	Română		
ET	Eesti	LV	Latviešu	SK	Slovenčina		
FI	Suomi	LT	Lietuvių	SL	Slovenščina		

Pos.	Part number	Description	Valid from → until	Qty
	NL 1442476	User Manual Dragon Dutch		1
	EN 1442477	User Manual Dragon English		1
	FR 1442479	User Manual Dragon French		1
	DE 1442480	User Manual Dragon German		1
	IT 1442481	User Manual Dragon Italian		1
	NO 1442482	User Manual Dragon Norwegian		1
	PT 1442483	User Manual Dragon Portuguese		1
	ES 1442484	User Manual Dragon Spanish		1
	SV 1442485	User Manual Dragon Swedish		1
	SL 1443130	User Manual Dragon Slovenian		1
	SK 1443131	User Manual Dragon Slovak		1
	PL 1443132	User Manual Dragon Polish		1
	HU 1443133	User Manual Dragon Hungarian		1
	CZ 1443134	User Manual Dragon Czech		1
	LT 1493185	User Manual Dragon Lithuanian		1
	RU SP1549081	User Manual Dragon Russian		1
	LV SP1575558	User Manual Dragon Latvian		1

User Manuals Shark2

languages.iso

BG	Български	FR	Français	NL	Nederlands	SV	Svenska
CS	Čeština	HE	עברית	NO	Norsk	UK	Українська
DA	Dansk	HR	Hrvatski	PL	Polski		
DE	Deutsch	HU	Magyar	PT	Português		
EN	English	IT	Italiano	RU	Русский		
ES	Español	JA	日本語	RO	Română		
ET	Eesti	LV	Latviešu	SK	Slovenčina		
FI	Suomi	LT	Lietuvių	SL	Slovenščina		

Pos.	Part number	Description	Valid from → until	Qty
	DA 1451349	User Manual Shark II Danish		1
	PT 1451353	User Manual Shark II Portuguese		1
	DE 1451346	User Manual Shark II German		1
	NO 1451350	User Manual Shark II Norwegian		1
	EN 1451356	User Manual Shark II English		1
	FR 1451347	User Manual Shark II French		1
	IT 1451354	User Manual Shark II Italian		1
	SV 1451348	User Manual Shark II Swedish		1
	FI 1451355	User Manual Shark II Finnish		1
	NL 1451351	User Manual Shark II Dutch		1
	SL 1451584	User Manual Shark II Slovenian		1
	ES 1451352	User Manual Shark II Spanish		1
	BG SP1546061	User Manual Shark II Bulgarian		1
	CS SP1533297	User Manual Shark2 CS		1
	ET SP1533298	User Manual Shark2 EE		1
	HR SP1574028	User Manual Shark2 Croatian		1
	HU SP1533299	User Manual Shark2 HU		1
	LV SP1576075	User Manual Shark2 Latvian		1
	LT SP1533300	User Manual Shark2 LT		1
	PL SP1533301	User Manual Shark2 PL		1
	RU SP1570186	User Manual Shark2 Russian		1

User Manuals REM 24 SD

languages.iso

BG	Български	FR	Français	NL	Nederlands	SV	Svenska
CS	Čeština	HE	עברית	NO	Norsk	UK	Українська
DA	Dansk	HR	Hrvatski	PL	Polski		
DE	Deutsch	HU	Magyar	PT	Português		
EN	English	IT	Italiano	RU	Русский		
ES	Español	JA	日本語	RO	Română		
ET	Eesti	LV	Latviešu	SK	Slovenčina		
FI	Suomi	LT	Lietuvių	SL	Slovenščina		

Pos.	Part number	Description	Valid from → until	Qty
	CS SP1533252	User Manual REM24SD Czech		1
	DA 1436146	User Manual REM24SD Danish		1
	DE 1436142	User Manual REM24SD German		1
	EN 1436144	User Manual REM24SD English		1
	ES 1436149	User Manual REM24SD Spanish		1
	ET SP1533253	User Manual REM24SD Estonian		1
	FI 1436386	User Manual REM24SD Finnish		1
	FR 1436143	User Manual REM24SD French		1
	HR SP1533251	User Manual REM24SD Croatian		1
	HU SP1533254	User Manual REM24SD Hungarian		1
	IT 1436385	User Manual REM24SD Italian		1
	LV SP1543152	User Manual REM24SD Latvian		1
	LT SP1533255	User Manual REM24SD Lithuanian		1
	NL 1436148	User Manual REM24SD Dutch		1
	NO 1436147	User Manual REM24SD Norwegian		1
	PL SP1533256	User Manual REM24SD Polish		1
	PT 1436150	User Manual REM24SD Portuguese		1
	SL SP1533257	User Manual REM24SD Slovenian		1
	SV 1436145	User Manual REM24SD Swedish		1

User Manuals REM 34 & REM 41 Tray/Centre Control

languages.iso

BG	Български	FR	Français	NL	Nederlands	SV	Svenska
CS	Čeština	HE	עברית	NO	Norsk	UK	Українська
DA	Dansk	HR	Hrvatski	PL	Polski		
DE	Deutsch	HU	Magyar	PT	Português		
EN	English	IT	Italiano	RU	Русский		
ES	Español	JA	日本語	RO	Română		
ET	Eesti	LV	Latviešu	SK	Slovenčina		
FI	Suomi	LT	Lietuvių	SL	Slovenščina		

Pos.	Part number	Description	Valid from → until	Qty
CS	SP1538031	User Manual REM41 Tray Control Czech		1
DA	SP1538022	User Manual REM41 Tray Control Danish		1
DE	SP1541402	User Manual REM41 Tray Control German		1
EN	SP1538023	User Manual REM41 Tray Control English		1
ES	SP1538024	User Manual REM41 Tray Control Spanish		1
FR	SP1538025	User Manual REM41 Tray Control French		1
IT	SP1538026	User Manual REM41 Tray Control Italian		1
NL	SP1538027	User Manual REM41 Tray Control Dutch		1
NO	SP1538028	User Manual REM41 Tray Control Norwegian		1
PT	SP1538029	User Manual REM41 Tray Control Portuguese		1
SL	SP1538032	User Manual REM41 Tray Control Slovenian		1
SV	SP1538030	User Manual REM41 Tray Control Swedish		1

User Manuals ACS Handprogrammer

languages.iso

BG	Български	FR	Français	NL	Nederlands	SV	Svenska
CS	Čeština	HE	עברית	NO	Norsk	UK	Українська
DA	Dansk	HR	Hrvatski	PL	Polski		
DE	Deutsch	HU	Magyar	PT	Português		
EN	English	IT	Italiano	RU	Русский		
ES	Español	JA	日本語	RO	Română		
ET	Eesti	LV	Latviešu	SK	Slovenčina		
FI	Suomi	LT	Lietuvių	SL	Slovenščina		

Pos.	Part number	Description	Valid from → until	Qty
DE	1419316	User Manual Handheld Programmer German		1
EN	1419317	User Manual Handheld Programmer English		1

User Manuals Miscellaneous

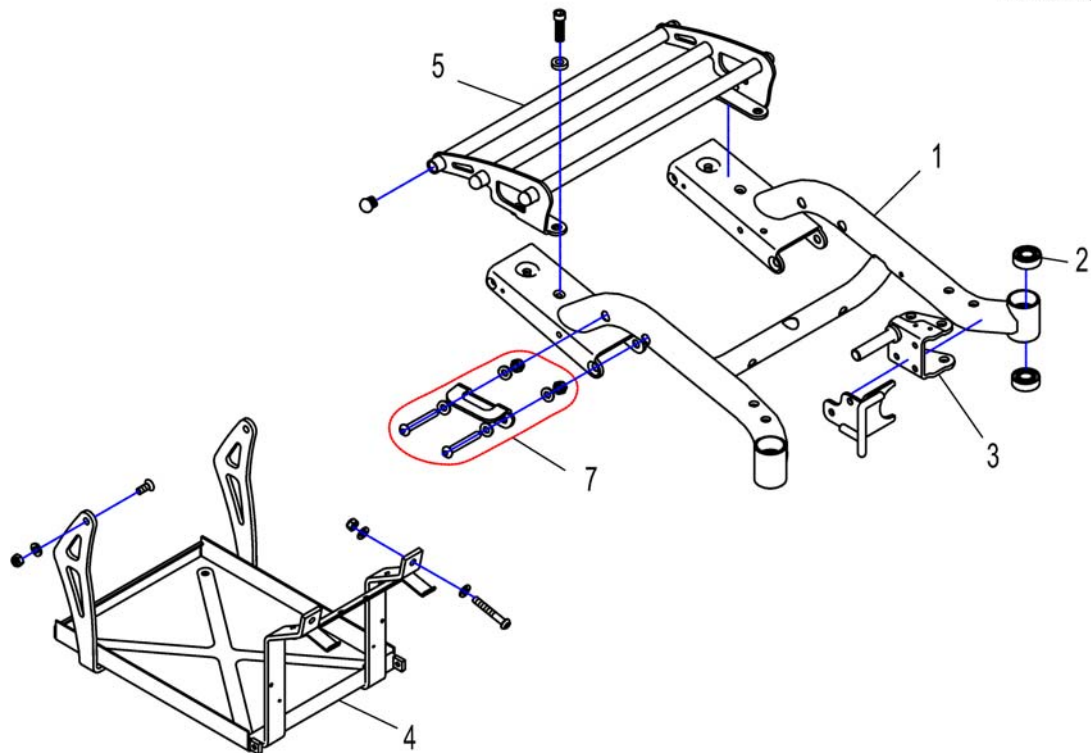
languages.iso

BG	Български	FR	Français	NL	Nederlands	SV	Svenska
CS	Čeština	HE	עברית	NO	Norsk	UK	Українська
DA	Dansk	HR	Hrvatski	PL	Polski		
DE	Deutsch	HU	Magyar	PT	Português		
EN	English	IT	Italiano	RU	Русский		
ES	Español	JA	日本語	RO	Română		
ET	Eesti	LV	Latviešu	SK	Slovenčina		
FI	Suomi	LT	Lietuvių	SL	Slovenščina		

Pos.	Part number	Description	Valid from → until	Qty
DE	Q99081	User Manual Table- & Middle Control REM41-S German		1
FR	Q99082	User Manual Chin Control, French		1
DE	Q99083	User Manual Chin Control, German		1
EN	Q99086	User Manual Chin Control, English		1

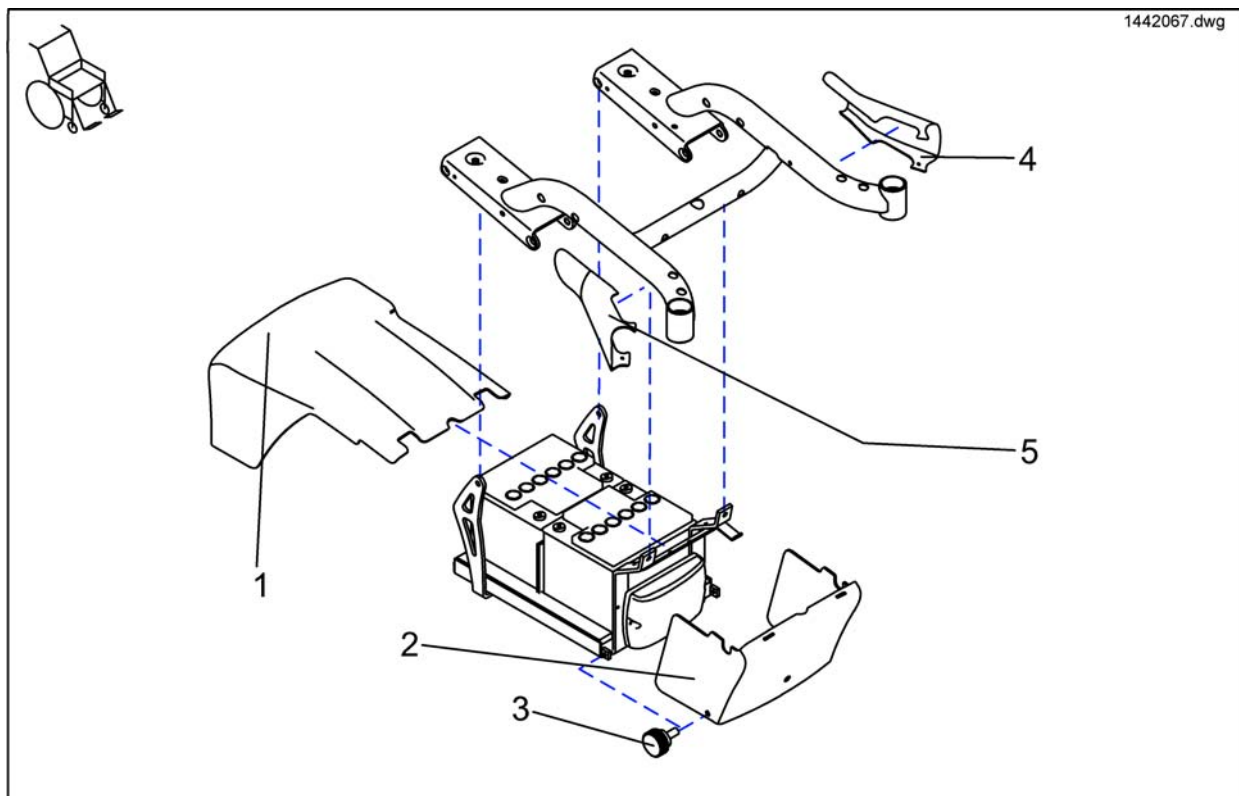
Chassis

1442035.dwg

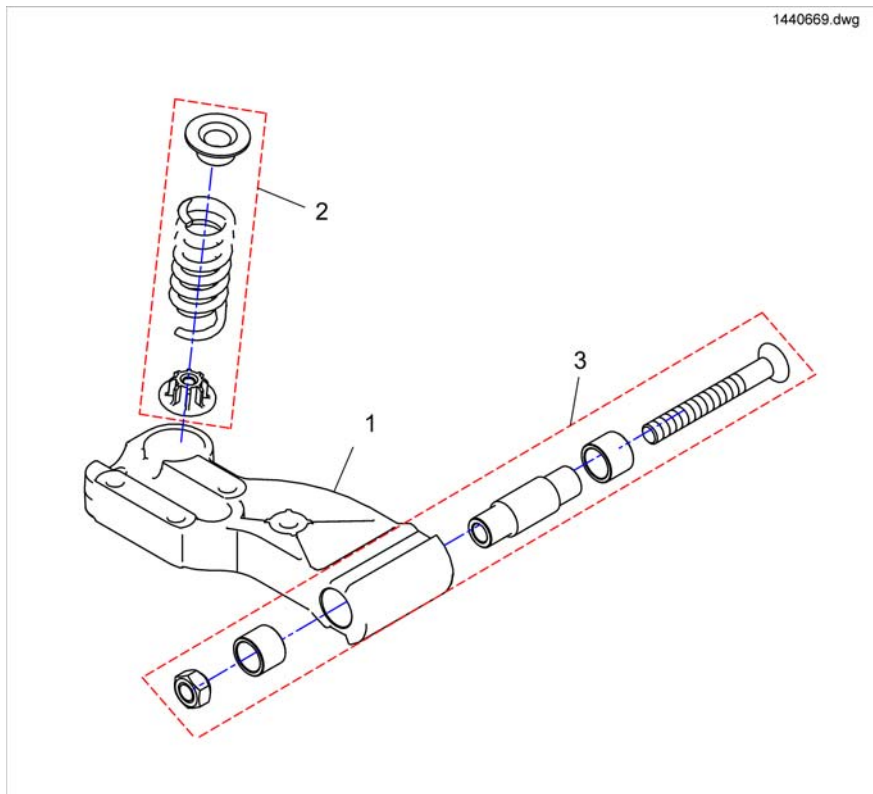


Pos.	Part number	Description	Valid from → until	Qty
-	SP1442683	Touch-up paint, Perlnachtblau		1
-	SP1527782	Label with Invacare logo white lettering Tiger		1
1	SP1442035	Chassis, blue, cpl.		1
1	SP1448642	Chassis, black, cpl.		1
1	SP1536283	Chassis, silver, cpl.		1
1	SP1536284	Chassis, transparent blue, cpl.		1
1	-	No longer available. <i>SP1536285 Chassis, transparent red is obsolete</i>		1
1	SP1536286	Chassis, transparent purpur, cpl.		1
2	1419254	Angular Ball Bearing 7202B 2Rs		1
3	1418547-9005	Bearing Plate LH (black)		1
3	1418544-9005	Bearing Plate RH (black)		1
4	1492498	Battery Frame ACS		1
5	SP1440745	Luggage carrier cpl., with installation material (seat height (excl. seat cushion) 50cm)		1
7	SP1492647	Taxi Fixation cpl.		1
-	1442551	Fixing Kit Luggage Carrier cpl.		1
-	1442601	Battery Clamp Fixing Kit		1

Shrouds



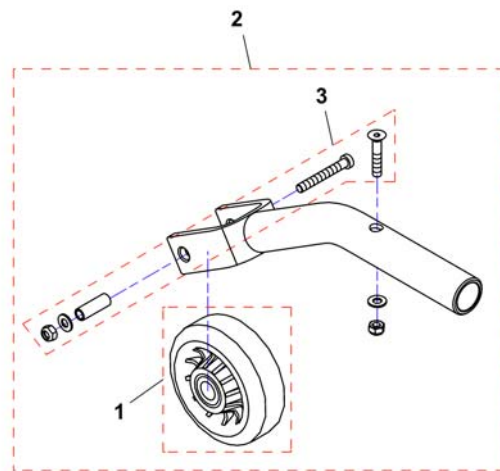
Pos.	Part number	Description	Valid from → until	Qty
1	SP1442599	Battery Cover Rear Complete		1
2	1440684-9006	Battery Cover Front		1
3	1440769	Hand screw M6x15		1
4	SP1442592	Facing for Chassis LH cpl.		1
5	SP1442596	Facing for Chassis RH cpl.		1



Pos.	Part number	Description	Valid from → until	Qty
1	1440669	Crank		1
2	1442597	Spring Set, 1 Pair		1
3	SP1421761	Kit, axle and bush.		1

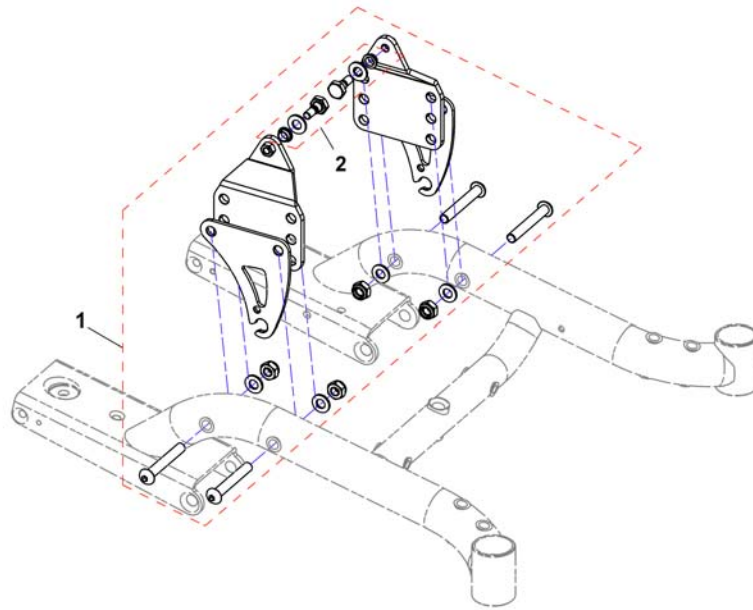
Anti-Tipper

1440268.dwg



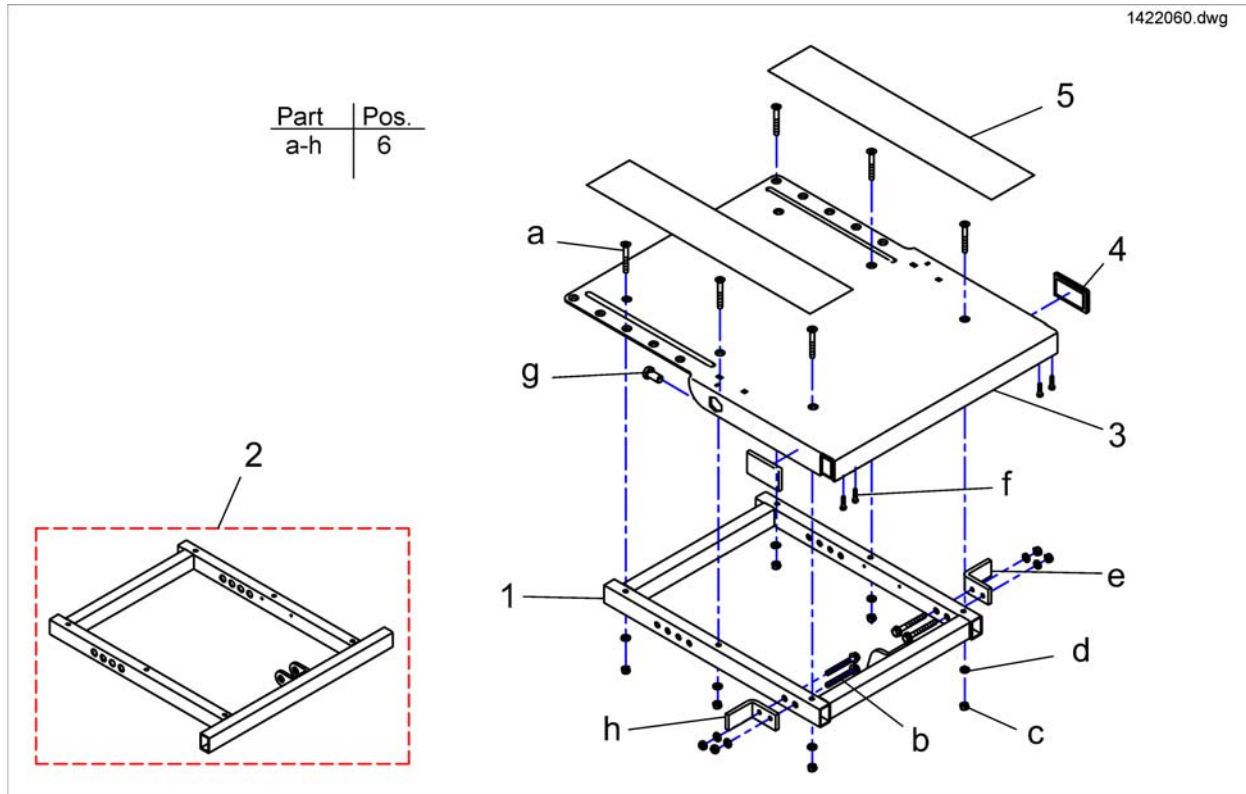
Pos.	Part number	Description	Valid from → until	Qty
1	1418533	ANTI-TIPPER WHEEL, KAMA 80 X 80		1
2	SP1440686	Anti-Tipper Complete		1
3	1442593	Mounting Kit Anti-Tip		1

1450449L.dwg

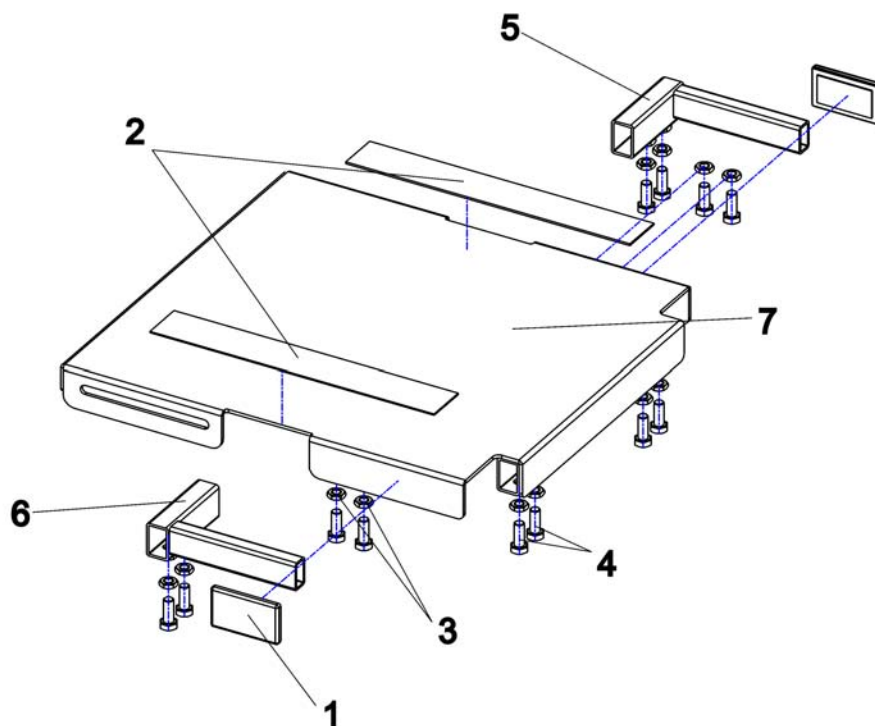


Pos.	Part number	Description	Valid from → until	Qty
1	SP1450449	Rear seat fixation, cpl.		1
2	SP1443080	Kit for rear seat fixation		1

Seat Frame & Plate



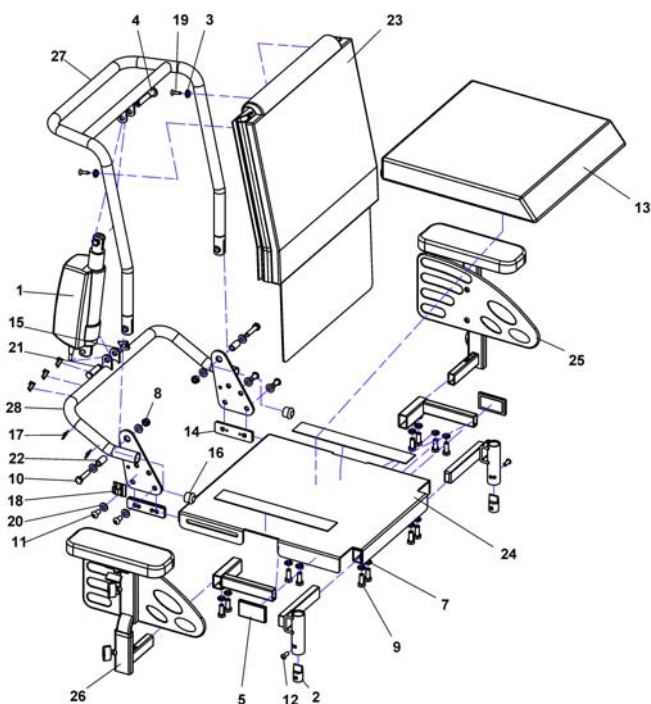
Pos.	Part number	Description	Valid from → until	Qty
2	1442655-9005	Seat Frame For Electrical Tilt		1
3	1419999-9005	Seat Plate		1
4	P31298	Reflector, yellow		1
5	U21087	Velcro Fastener Strip 38 X 400mm Adhesive		1
6	SP1423205	Seat Mounting Kit (One-Piece Version)		1



Pos.	Part number	Description	Valid from → until	Qty
1	SPP31298	Reflector, yellow		1
2	U21087	Velcro Fastener Strip 38 X 400mm Adhesive		1
3	F10196	Hexagon nut DIN439-M08 zc		1
4	D08144	Hexagon bolt DIN933-M08x20-8.8 bk		1
5	1442753-9005	Bracket f.siederest lh Dragon Junior		1
6	1442754-9005	Bracket f.siederest rh Dragon Junior		1
7	1442761-9005	Seat plate cpl. std Dragon Junior		1

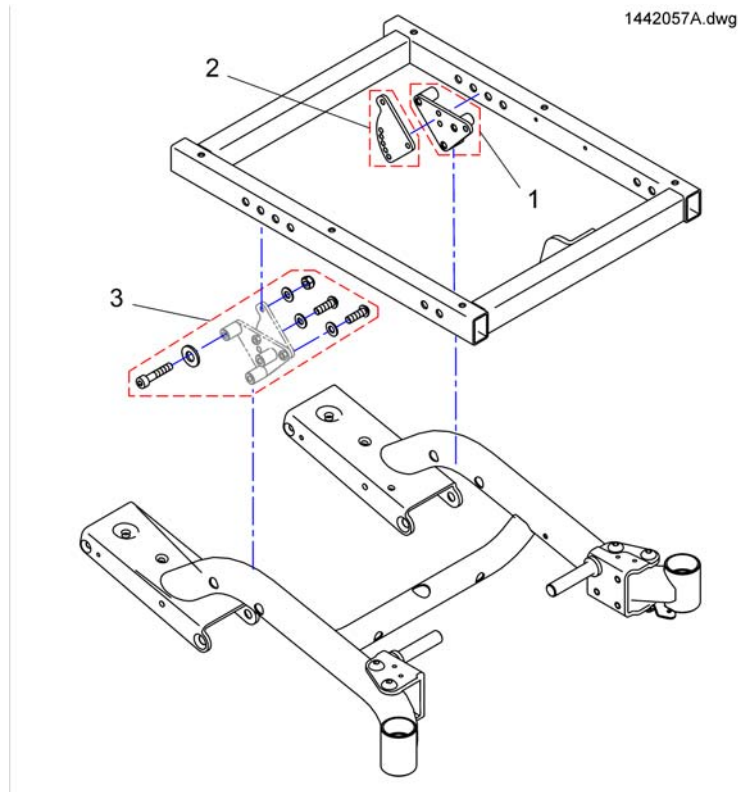
Juniorseat

1444900X.dwg



Pos.	Part number	Description	Valid from → until	Qty
1	SP1446520	Actuator ACS2 / Shark		1
2	1434609	Elevating legrest indexer Junior		1
3	5009551	Plastic Upholstery Washer		1
4	F368016.99	Locking Bolt - Quick Release		1
5	SPP31298	Reflector, yellow		1
7	F10196	Hexagon nut DIN439-M08 zc		1
8	F00002	Hexagon Nut M8 bk - DIN 985		1
9	D08111	Hexagon bolt DIN933-M08x35-8.8 zc		1
10	D08111	Hexagon bolt DIN933-M08x35-8.8 zc		1
11	-	Lens head screw DIN7380-M08x16-10.9 bk		1
12	5824282	Lens head screw DIN7380-M06x16-10.9 bk		1
13	SP1443076	Seat Cushion 360mm For Junior Seat		1
14	1443069-0002	Thread Sheet Dragon Junior		1
15	K32395	Lock Washer 10mm		1
16	L01008	Tube End Plug SI 22		1
17	P22414	CABLE STRAP L=142 MM; BLACK		1
18	P22417	CABLE FASTENER 7.9 MM (CORD CLIP); BLACK		1
19	D16108	Countersunk flat head tapping screw DIN7982-4,8x22 bk		1
20	G00107	Washer Ø8,4 bk - DIN 125		1
21	J50999-0002	Bolt		1
22	H11036A.99	Bush Rd. 12 X 1.8 X 23		1
23	SP1448718	Upholstery cpl For Junior Seat		1
24	1442761-9005	Seat plate cpl. std Dragon Junior		1
25	SP1448703	Side part, SW 29-36cm, LH, cpl.		1
26	SP1448702	Side part, SW 29-36cm, RH, cpl.		1
27	SP1448712	Backresttube		1
28	SP1445023	Support bracket		1

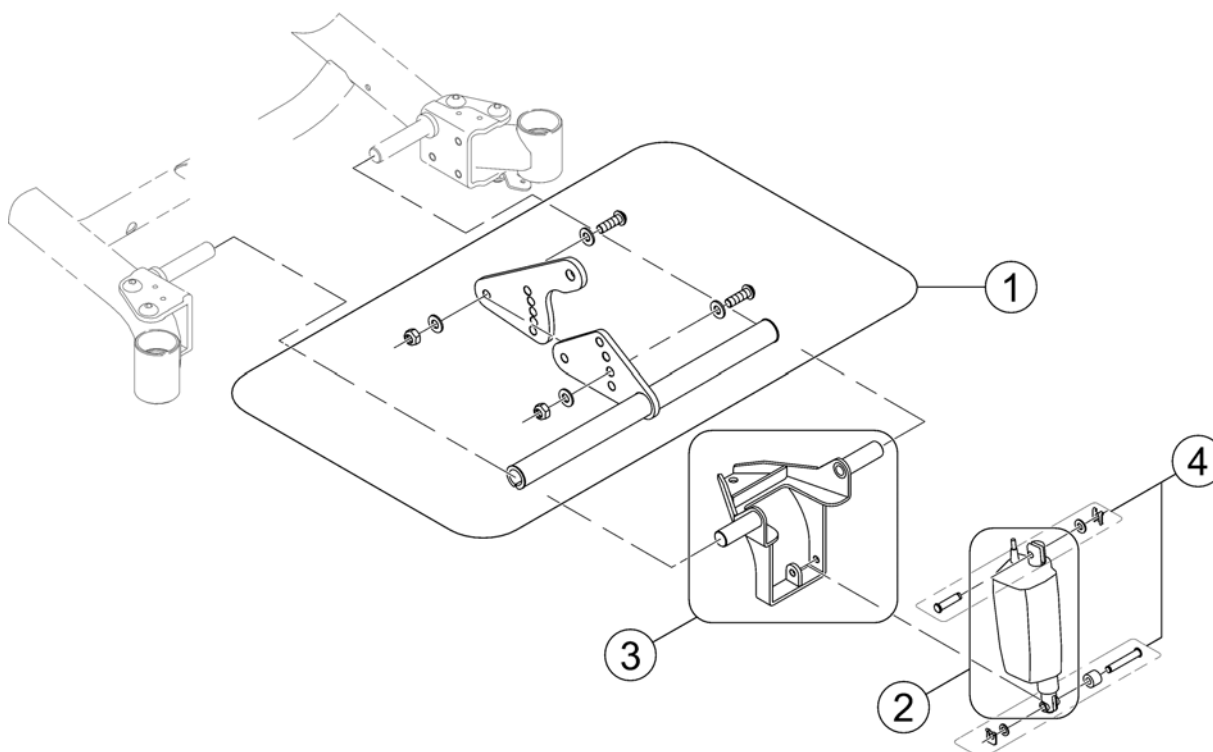
Seat Tilt manually settable



Pos.	Part number	Description	Valid from → until	Qty
1	1440733-9005	Plate Black Right		1
1	1440763-9005	Plate Black Left		1
2	1440721-9005	Fixing Plate		1
3	1442594	Mounting Kit Lifter And Rear Seat Fixation		1

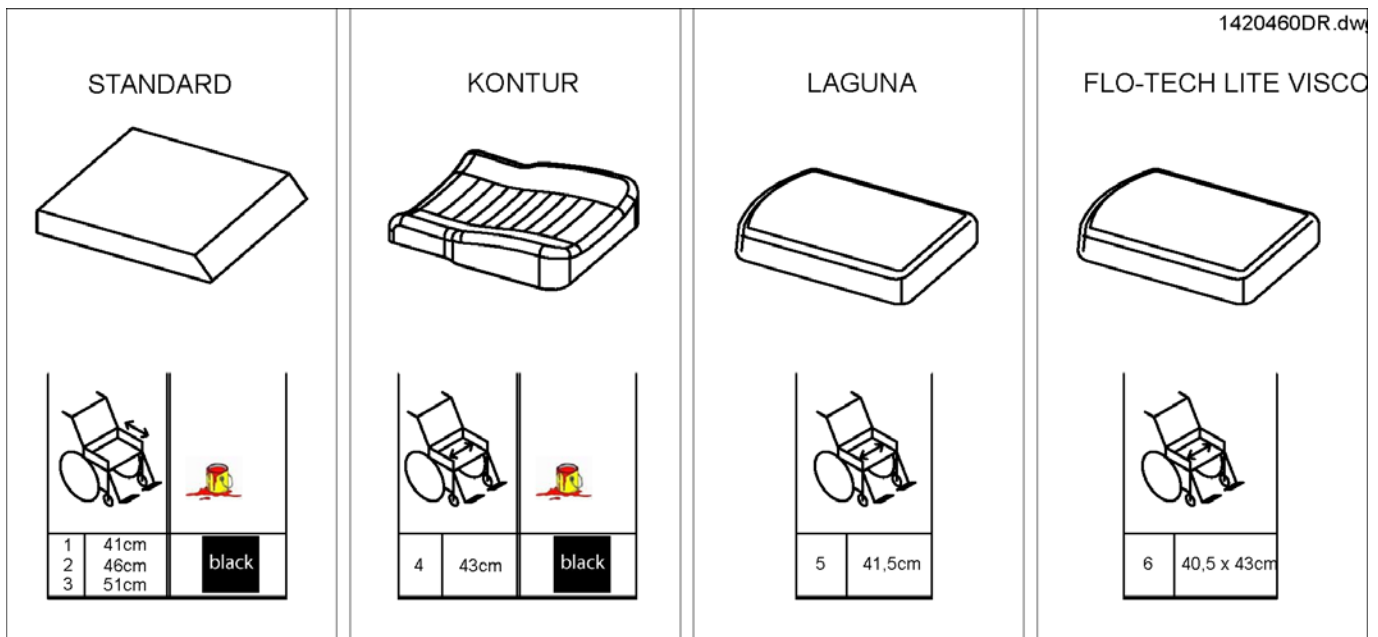
Seat Angle Adjusting

1442057B.iso



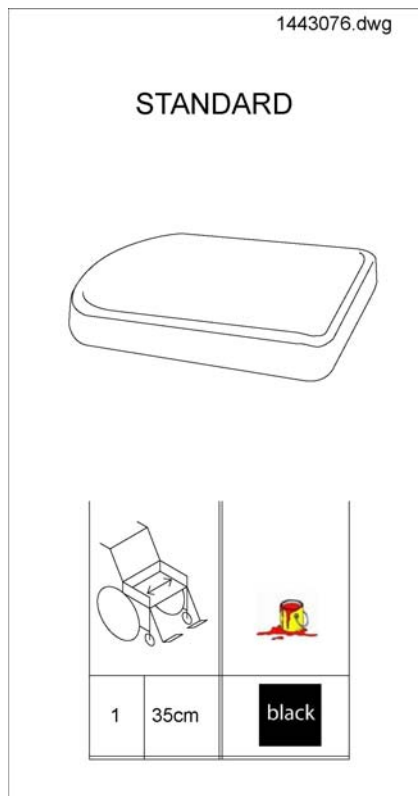
Pos.	Part number	Description	Valid from → until	Qty
1	SP1440716	Manual seat angle adjusting, cpl.	→ 2006-05-24	1
1	1449107	Seat Fixation front with manual Seat Tilt, cpl.	2006-05-25 →	1
-	SP1442796	Electric Seat Angle Adjuster ; cpl.		1
2	SP1446521	Actuator La 2825S-75-24-002		1
3	1442800-9005	Tilt Support		1
4	1446515	Mounting Kit Actuator Seat Angle		1

1420460DR.dwg



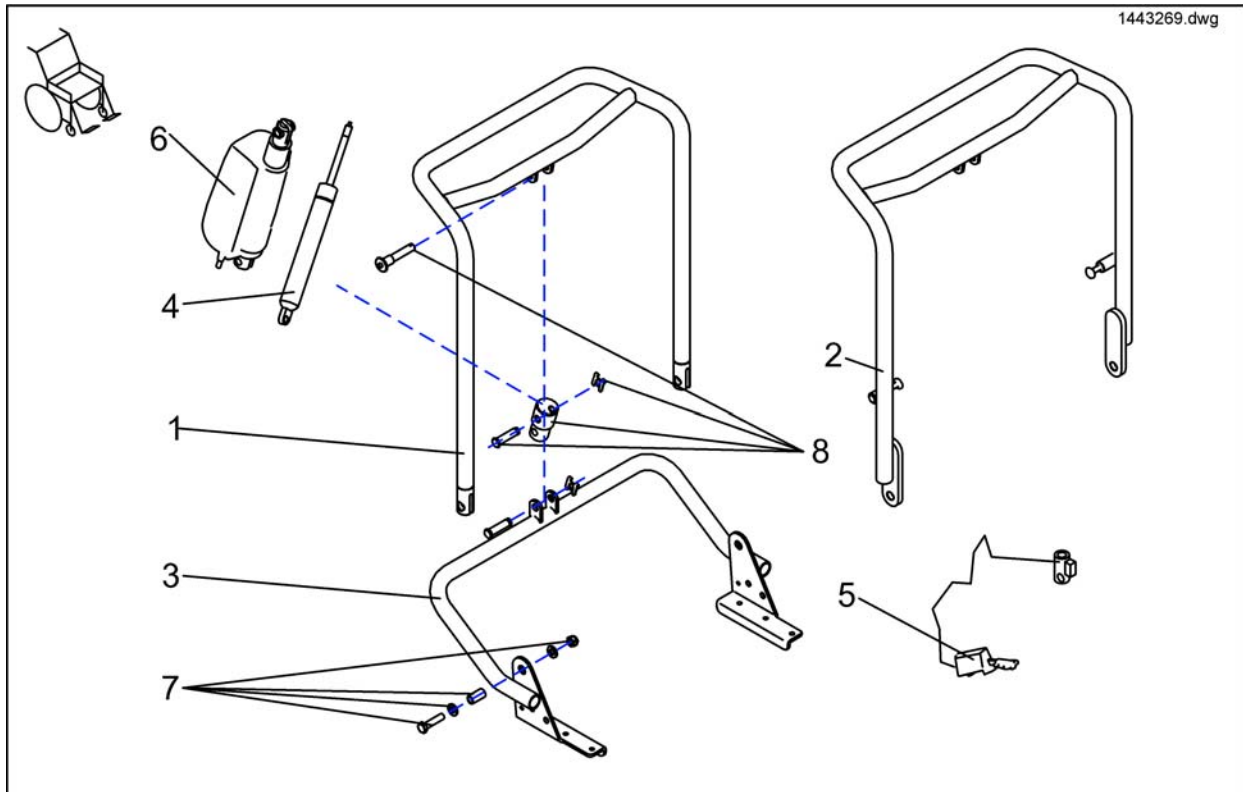
Pos.	Part number	Description	Valid from → until	Qty
1	1420460	Seat Cushion Standard - SW 430mm, SD 410mm		1
2	1420461	Seat Cushion Standard - SW 430mm, SD 460mm		1
3	1420462	Seat Cushion Standard - SW 430mm, SD 510mm		1
4	B260005	Seat Cushion Contour		1
5	1435857	Mistral shape Cushion SW415 x SD490mm - Dartex		1
6	SP1501110	Flotech Lite Visco Seat Cushion (40.5 X 43cm)		1

Seat Cushion For Junior Seat



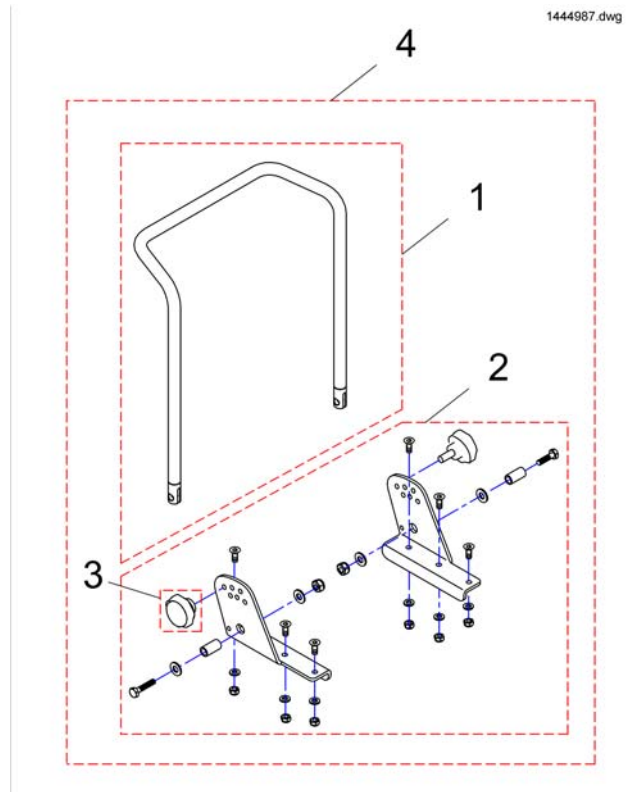
Pos.	Part number	Description	Valid from → until	Qty
1	SP1443076	Seat Cushion 360mm For Junior Seat		1

Backrest Adjustment 01/2005 ==>



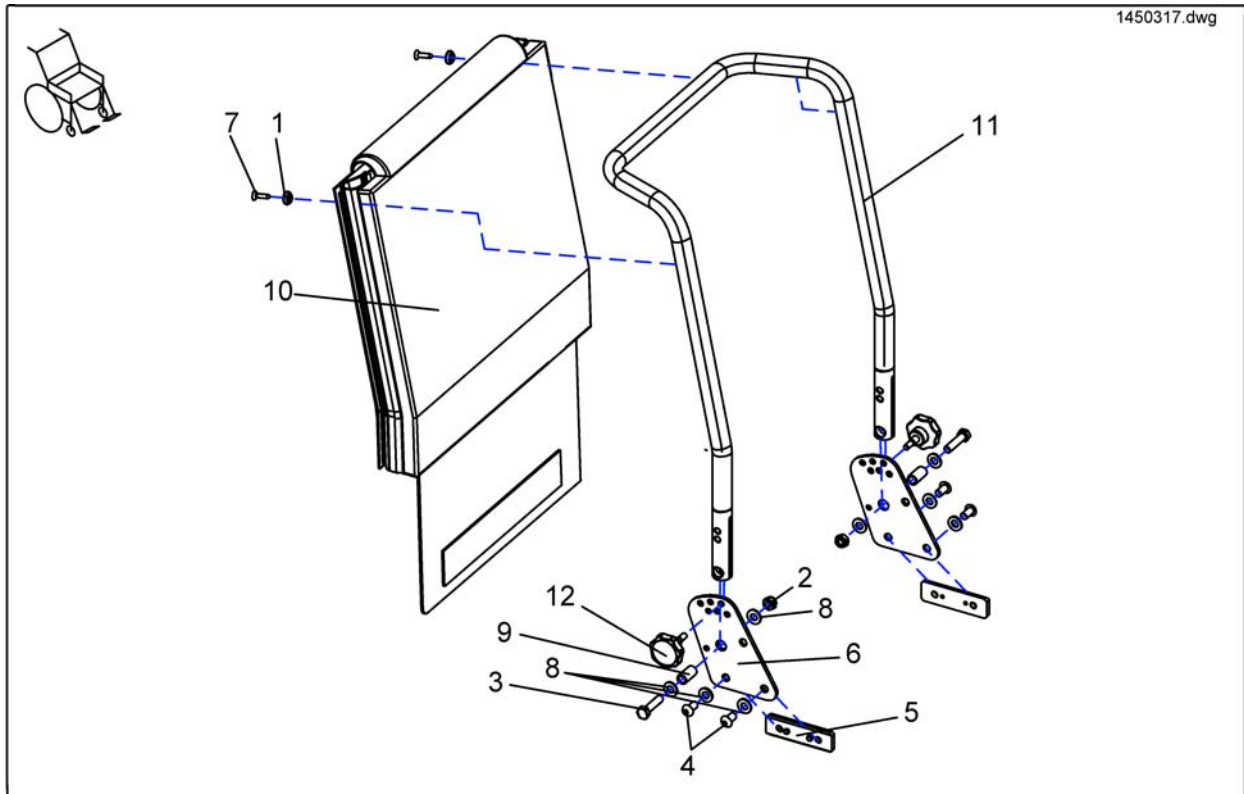
Pos.	Part number	Description	Valid from → until	Qty
-	SP1444993	Back Adjuster Laguna Pneumatic, Without Back Cushion, cpl.		1
-	SP1443268	Electrical Back Adjuster Laguna, Without Back Cushion, cpl.		1
-	SP1443267	Electrical Back Adjuster Contur, Without Back Cushion, cpl.		1
-	SP1444991	Back Adjustment Standard, Back Height 54CM, Pneumatically, cpl with backbelt		1
-	SP1443269	Backrest Adjustment Powered For Standard Seat Complete		1
-	SP1443270	Back Adjustment Standard, Back Height 54cm, Electzrically, Cpl with backbelt		1
-	SP1444990	Backrest Adjustment Pneumatic For Standard Seat Complete		1
-	SP1444992	Back Adjuster Kontur Pneumatic, Without Back Cushion, cpl.		1
1	1442866-9005	Backrest frame for 540 mm height (push handle), adjustable		1
1	1442833-9005	Back Tube Contour, Infinitely Adjustable		1
1	1442864-9005	Backrest frame for 480 mm height (push handle), adjustable		1
2	1442874-9005	Back Tube Laguna, Infinitely Adjustable		1
3	1442845-9005	Lower Bracket for backrest frame		1
4	N368007	Back Adjuster Pneumatic cpl.		1
5	N368003	Release Lever		1
6	SP1446520	Actuator ACS2 / Shark		1
7	1446702	Backtube Fixation Kit Laguna		1
7	1446699	Fixation Kit for backrest tube		1
8	1446700	Mounting Kit Actuator		1

Backrest Adjustment Setable



Pos.	Part number	Description	Valid from → until	Qty
1	1434878-9005	Backtube Contour For Storm³ Euro		1
1	1419996-9005	Back Tube 480 mm		1
1	1420465-9005	Back Tube 540 mm		1
2	SP1423208	Std. Backrest Assembly Kit cpl.		1
3	SP1420444	Star Grip M8		1
4	SP1444989	Back Adjuster Kontur, Without Back Cushion, Progressively Adjustable cpl.		1
4	SP1444988	Back Adjuster Standard, Back Height 54 cm, With Backrest Upholstery,		1
4	SP1444987	Back Adjuster Standard, Back Height 48 cm, With Backrest Upholstery,		1

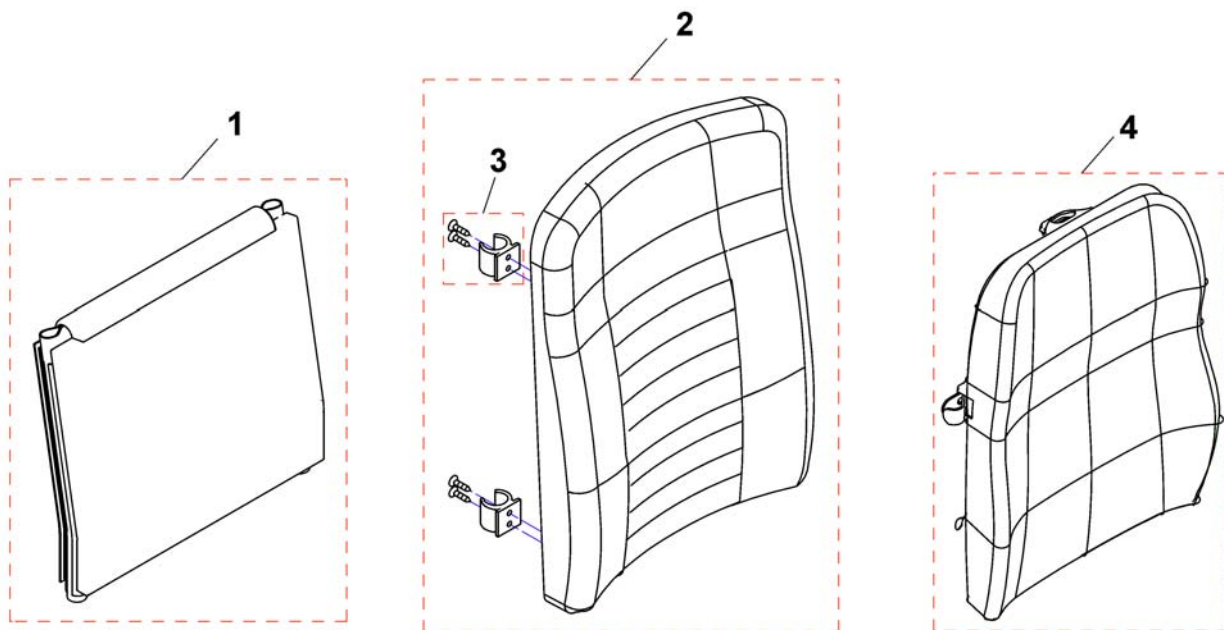
Settable Backrestrecliner Junior Seat



Pos.	Part number	Description	Valid from → until	Qty
-	-	Backrest Dragon Junior cpl.		1
1	5009551	Plastic Upholstery Washer		1
2	F00002	Hexagon Nut M8 bk - DIN 985		1
3	D08111	Hexagon bolt DIN933-M08x35-8.8 zc		1
4	-	Lens head screw DIN7380-M08x16-10.9 bk		1
5	1443069-0002	Thread Sheet Dragon Junior		1
6	1442925-9005	Back Adjustment Dragon Junior		1
7	D16108	Countersunk flat head tapping screw DIN7982-4,8x22 bk		1
8	G00107	Washer Ø8,4 bk - DIN 125		1
9	H11036A.99	Bush Rd. 12 X 1.8 X 23		1
10	SP1448718	Upholstery cpl For Junior Seat		1
11	1442980-9005	Backrest Frame - Dragon Junior		1
12	SP1420444	Star Grip M8		1

Upholstery

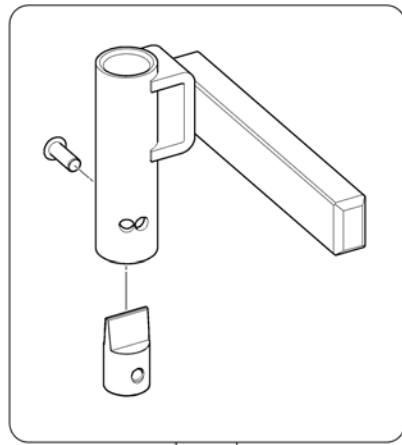
1444993.dwg



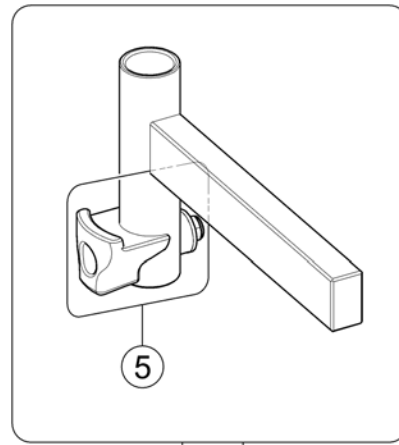
Pos.	Part number	Description	Valid from → until	Qty
1	1422062	Sling Back with Backrest upholstery 480 mm		1
1	1422063	Sling Back with Backrest upholstery 540mm		1
2	SPF365037	Back Cushion For Storm ³ Euro cpl.		1
3	F367006	Fixing Kit For Backrest Comfort And Contur		1
4	1420072	Backrest Shell Laguna, 410x550mm - without cushion		1
4	SP1427119-TR26	Backrest Cushion Laguna, 402x550mm, Dartex black <i>replaces 1427119 (TR23)</i>		1

Legrest Supports, Junior / Std. 80° / elevating

1450310.iss



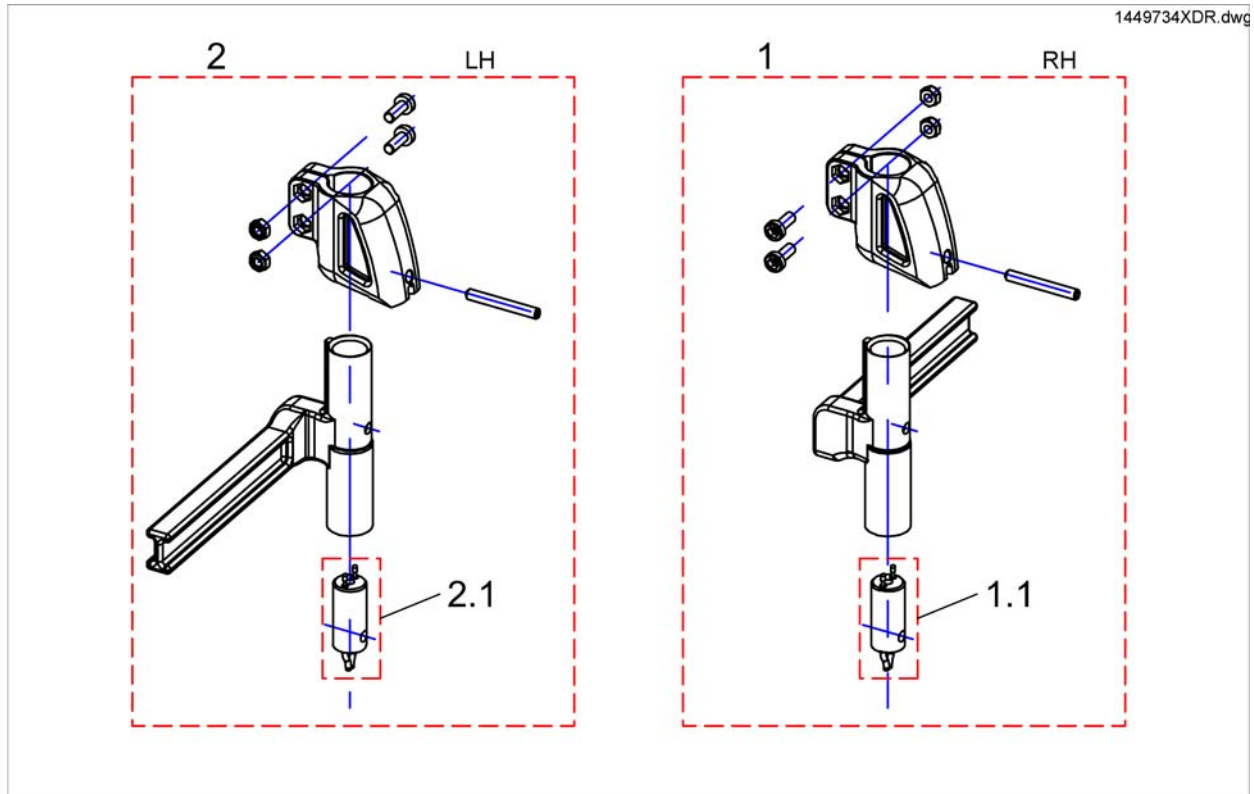
① ②



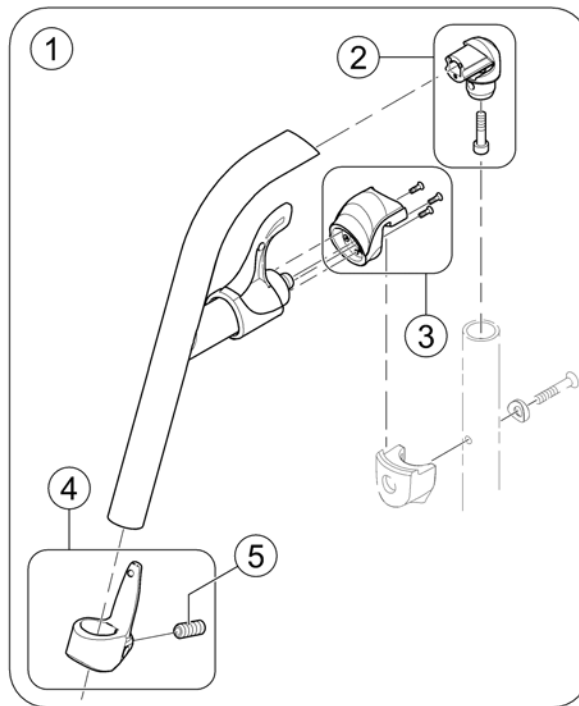
③ ④ ⑤

Pos.	Part number	Description	Valid from → until	Qty
1	SP1450310	Legrest Support Dragon Start/Junior, cpl. - LH		1
2	SP1450309	Legrest Support Dragon Start/Junior, cpl. - RH		1
3	SP1441526	Legrest Support Std. 80° / Elevating - LH	2015-07-01 →	1
4	SP1441527	Legrest Support Std. 80° / Elevating - RH	2015-07-01 →	1
5	SP1589136	Kit, Support Nose	→ 2015-06-30	1
-	SP1588726	Kit, Support Nose	2015-07-01 →	1

Legrest Support Vari Series (07/2005 =>)



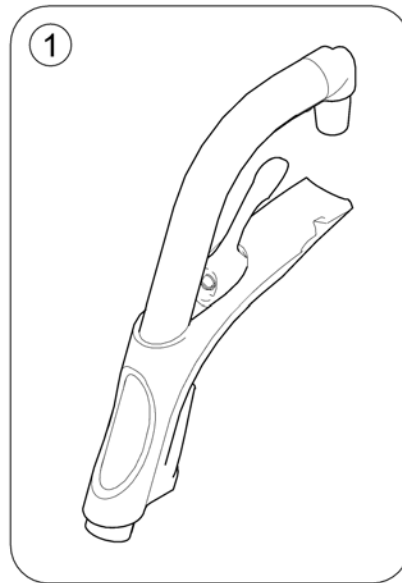
Pos.	Part number	Description	Valid from → until	Qty
1	SP1449737	Footrest/Legrest receptacle, manuell, LH, 8cm		1
1	SP1449739	Footrest/Legrest receptacle, powered, LH, 8cm		1
1	SP1449735	Footrest/Legrest receptacle, powered, LH, 5cm		1
1	SP1449733	Legrest Support Vari series, man. 5cm - LH		1
2	SP1449738	Footrest/Legrest receptacle, powered, RH, 8cm		1
2	SP1449736	Footrest/Legrest receptacle, manuell, RH, 8cm		1
2	SP1449734	Footrest/Legrest receptacle, powered, RH, 5cm		1
2	SP1449732	Legrest Support Vari series, man. 5cm - RH		1
3	SP1450228	Power Supply Cable Legrest (990mm)		1



Pos.	Part number	Description	Valid from → until	Qty
1	SP1574349-9005	Hanger Standard 80° cpl. - black		1
2	SP1588727	Kit, Pivot Std. 80° Hanger		1
3	SP1588731	Nose locking Kit		1
4	SP1588730	Calf Strap Holder, cpl.		1
5	1424571	Screw stop M10x23		1

Hanger, Std. 80° (=> 30.06.15)

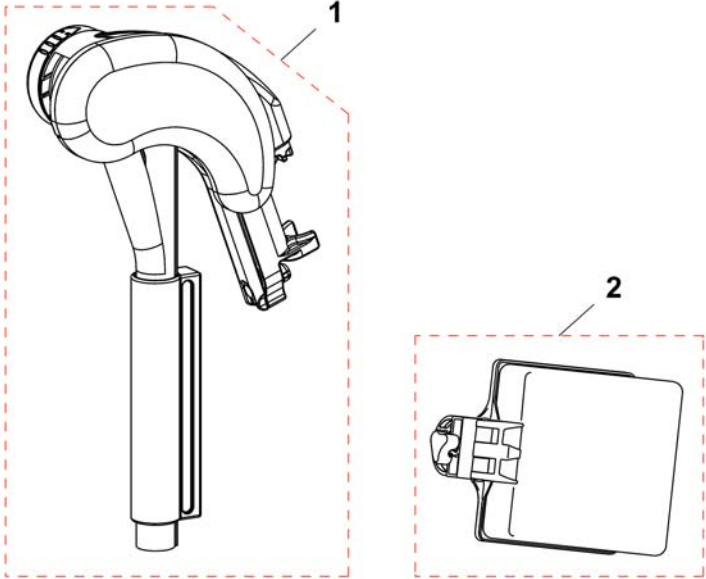
1493054PAC.km



Pos.	Part number	Description	Valid from → until	Qty
1	SP1493055	Hanger 80°, Fixed		1

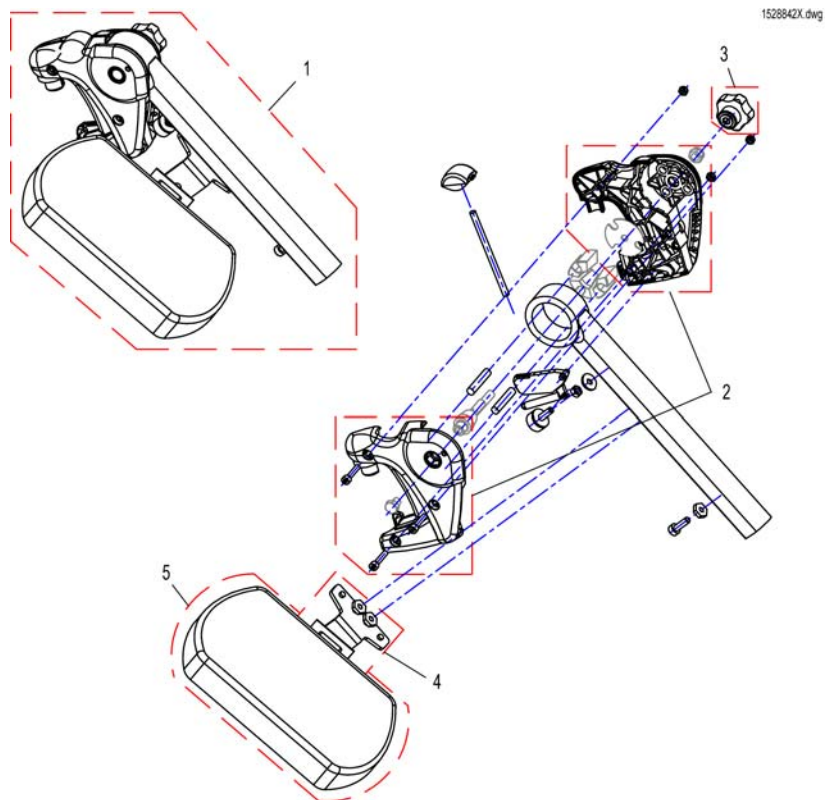
Hanger, manually height adjustable

1513006X.dwg



Pos.	Part number	Description	Valid from → until	Qty
1	1513006	Hanger, angleadjustable, RH		1
1	1513007	Hanger, angleadjustable, LH		1
2	1516314	Calfpad Cushion, 19", Dartex black		1
2	1518532	Calfpad, 19", Dartex black, cpl.		1

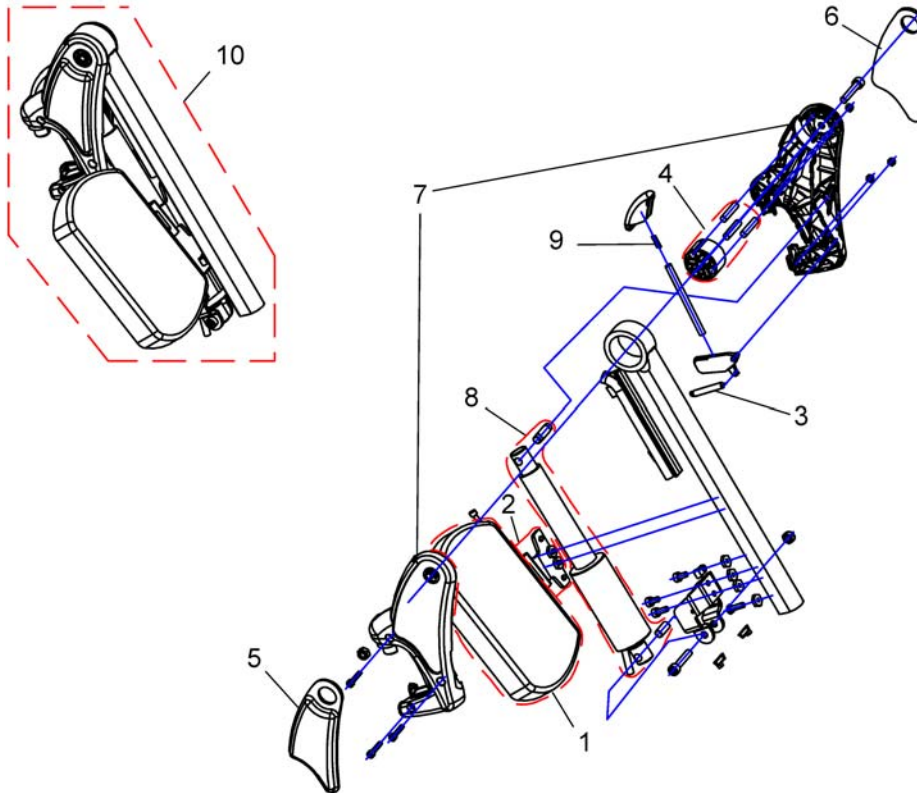
Hanger Vari A (04/2009 =>)



Pos.	Part number	Description	Valid from → until	Qty
-	SP1527820	Rework-Kit Vari A Legrest Version 1 => Version 2 <i>Vari A Version 1 => Version 2 Upgrade Kit</i>		1
1	SP1527498	Hanger Vari A LH, cpl.		1
1	SP1527492	Hanger Vari A RH, cpl.		1
2	SP1434955	Cover Legrest cpl.		1
3	L34011	Handknob M8 Tristarfemale		1
4	SP1450447	Calf Pad Holder Left Turnable, cpl.		1
4	SP1450446	Calf Pad Holder Right Turnable, cpl.		1
5	6301333	Legrest calf pad		1

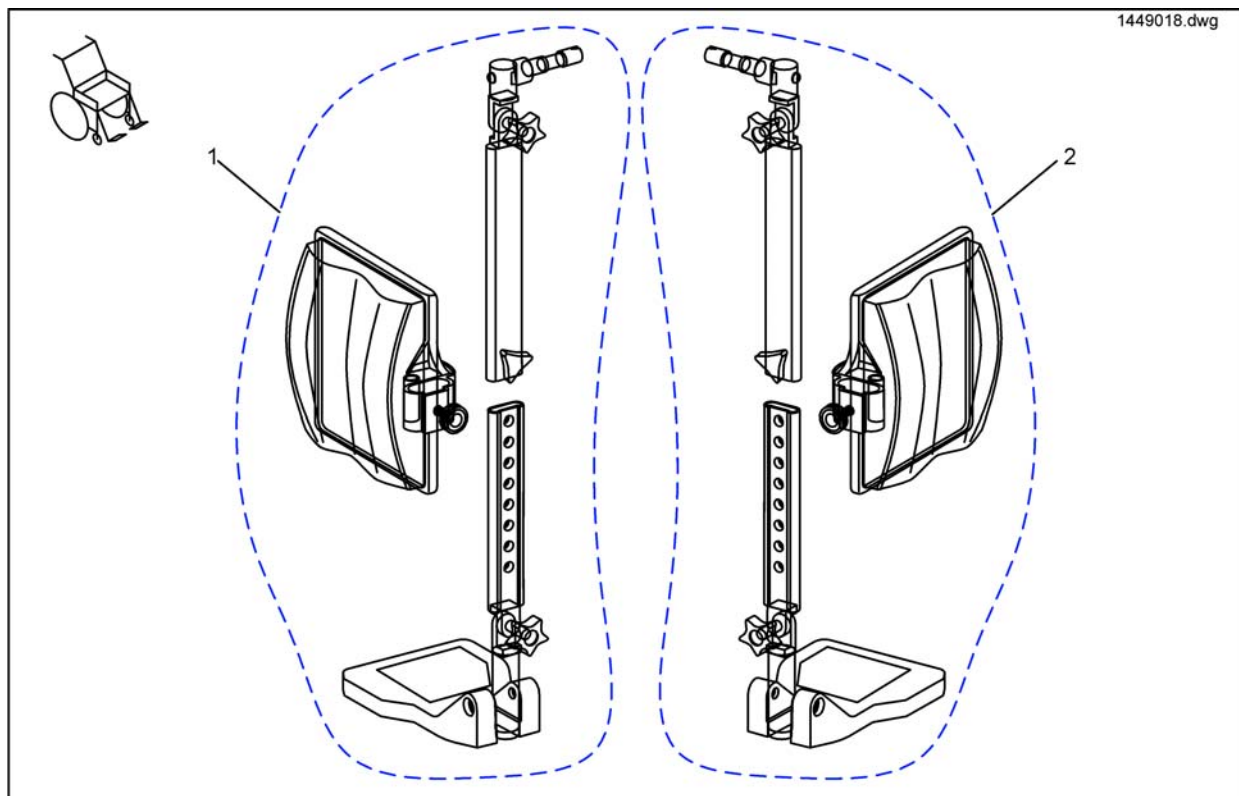
Hanger Vari ADE/ADP electric (07/2005 =>)

1449407X.dwg



Pos.	Part number	Description	Valid from → until	Qty
1	6301333	Legrest calf pad		1
2	SP1450447	Calf Pad Holder Left Turnable, cpl.		1
2	SP1450446	Calf Pad Holder Right Turnable, cpl.		1
3	SPZ173178	PULL SPRING		1
4	SPZ174134	SLIDING BUSHING		1
5	SP1450448	Knee Upholstery RH		1
6	SP1450410	Knee Upholstery LH		1
7	SP1449293	Ad-Cover cpl.		1
8	SPZ151006	Actuator with circuit board, preassembled		1
9	SPN12196	COMPRESSION SPRING L0=16, 4 D=0, 5 DA=5, 5		1
10	SP1449408	Hanger ADP RH cpl.		1
10	SP1449407	Hanger ADP LH cpl.		1

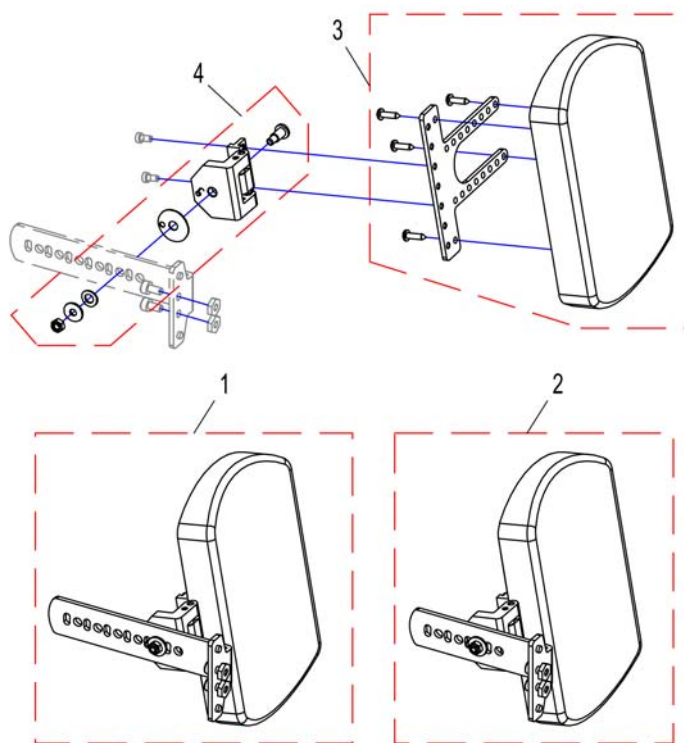
Legrests Dragon Junior



Pos.	Part number	Description	Valid from → until	Qty
1	1449018-0601	Rh Complete Legrest SW 355 mm		1
2	1449019-0601	Lh Complete Legrest SW 355 mm		1

Calfpad Holder (07/2005 =>)

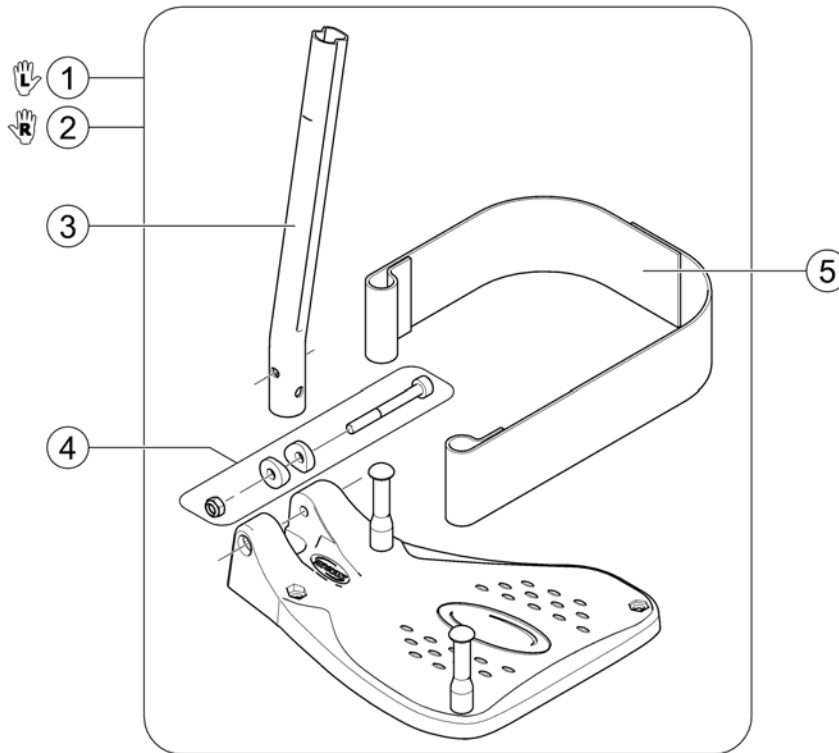
1450446X.dwg



Pos.	Part number	Description	Valid from → until	Qty
1	SP1450447	Calf Pad Holder Left Turnable, cpl.		1
1	SP1450446	Calf Pad Holder Right Turnable, cpl.		1
2	SP1487409	Calf Plate Holder for Recaroseat RH		1
2	SP1487410	Calf Plate Holder for Recaroseat LH		1
3	SP1449021	Assembly Kit, Calf Plate Holder		1
4	SP1450226	CALF PLATE HINGE, RH		1
4	SP1450225	CALF PLATE HINGE, LH		1

Footplate, Standard

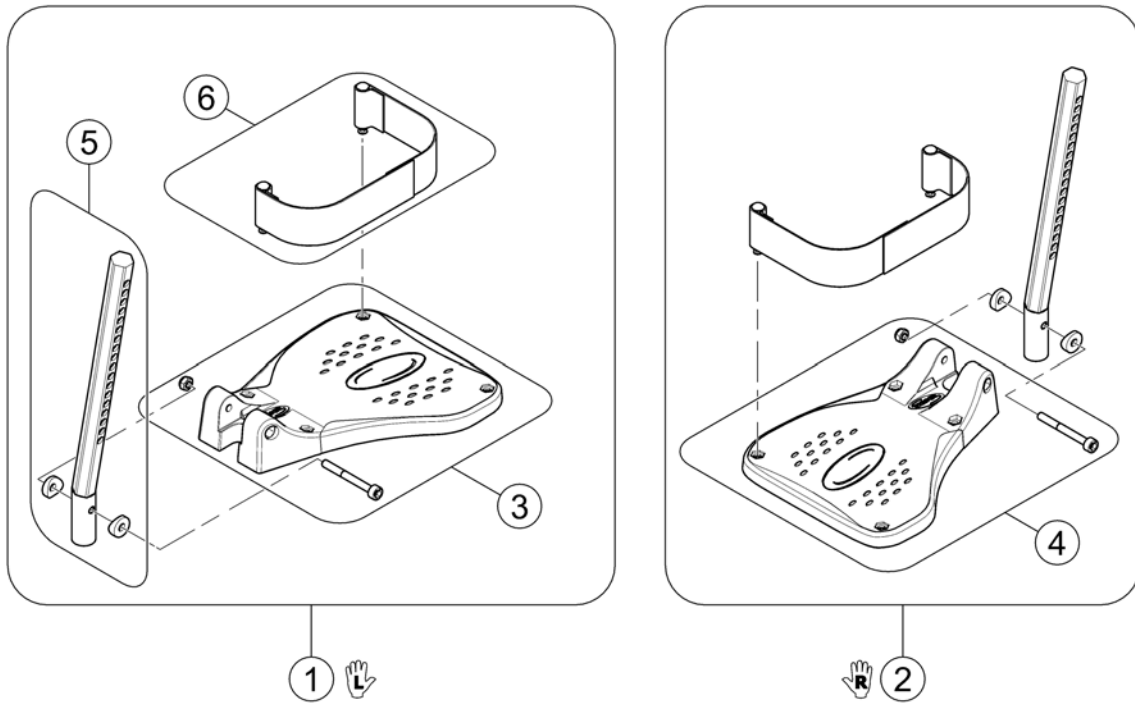
158854.iss



Pos.	Part number	Description	Valid from → until	Qty
1	SP1537944	Footrest Tube with Footplate for Hanger, cpl.43-45,5cm LH		1
2	SP1537942	Footrest Tube with Footplate for Hanger, cpl.43-45,5cm RH		1
3	1434561-0010	Standard tube for fixed footrest		1
4	1430433	Kit screws for fixed footrest		1
5	SP1442467	Heel Strap cpl.		1

Footrests Vari, Flip-Up (01.08.10 =>)

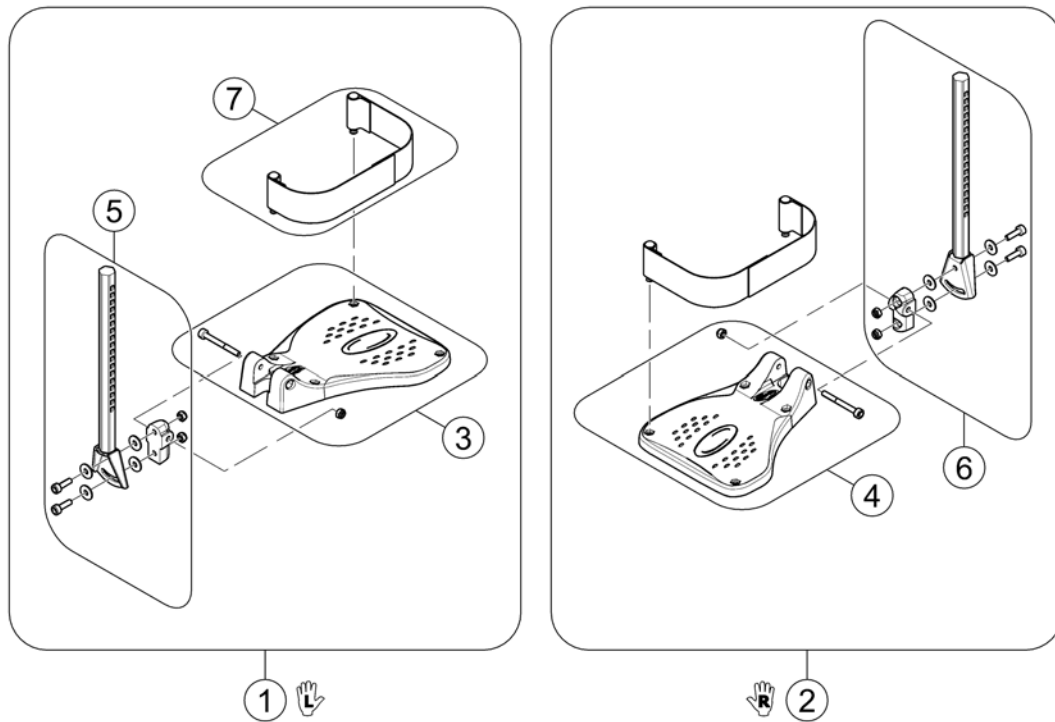
1529644X.jpg



Pos.	Part number	Description	Valid from → until	Qty
1	SP1541575	Footplate flip up, LH, cpl.		1
2	SP1541574	Footplate flip up, RH, cpl.		1
3	SP1529645	FOOTPLATE LH		1
4	SP1529644	FOOTPLATE RH		1
5	SP1543045	Plug-in tube LH/RH		1
6	SP1442467	Heel Strap cpl.		1

Footrests Vari, Flip-Up & angle adjustable (01.08.10 =>)

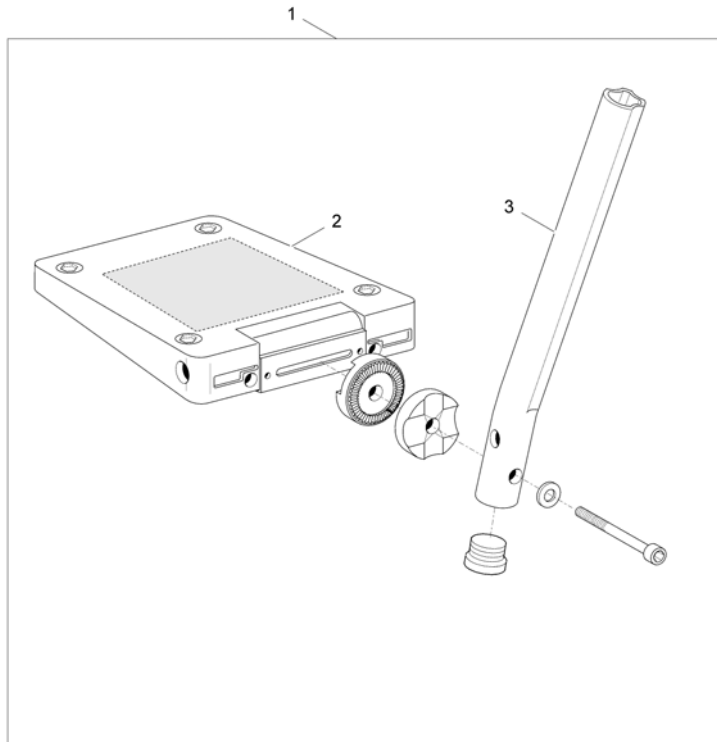
152964EX.es



Pos.	Part number	Description	Valid from → until	Qty
1	SP1541580	Footplate flip up, angle adjustable, LH, cpl.		1
2	SP1541579	Footplate flip up, angle adjustable, RH, cpl.		1
3	SP1529645	FOOTPLATE LH		1
4	SP1529644	FOOTPLATE RH		1
5	SP1423204	FOOT PLATE TUBE, ANGLE ADJUSTMENT LH CPL.		1
6	SP1423203	FOOT PLATE TUBE, ANGLE ADJUSTMENT RH CPL.		1
7	SP1442467	Heel Strap cpl.		1

Footplate, depth-, angleadjustable, 80°

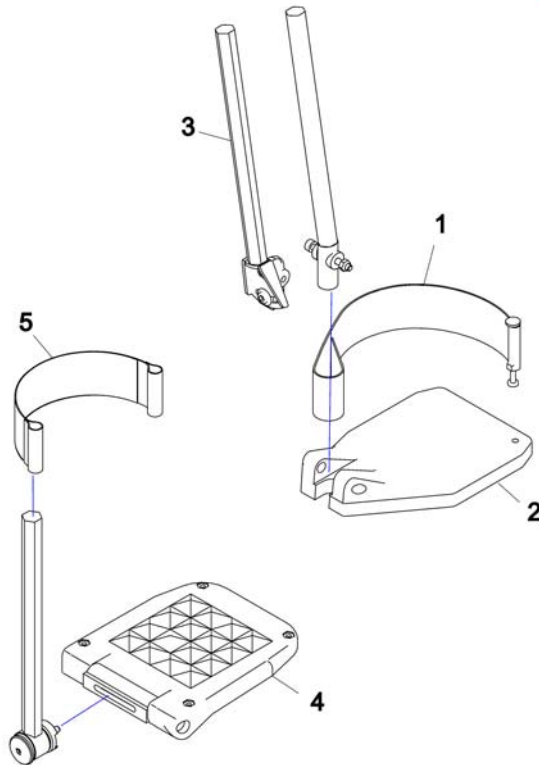
1428654X.iso



Pos.	Part number	Description	Valid from → until	Qty
1	1428660	Footrest a&d adjustable, Lh, SW455mm, standard tube, swing away frame		1
1	1428654	Footrest a&d adjustable, Rh, SW455mm, standard tube, swing away frame		1
2	5106594	Footplate, angle and depth adjustable, 166 mm		1
3	1434561-0010	Standard tube for fixed footrest		1

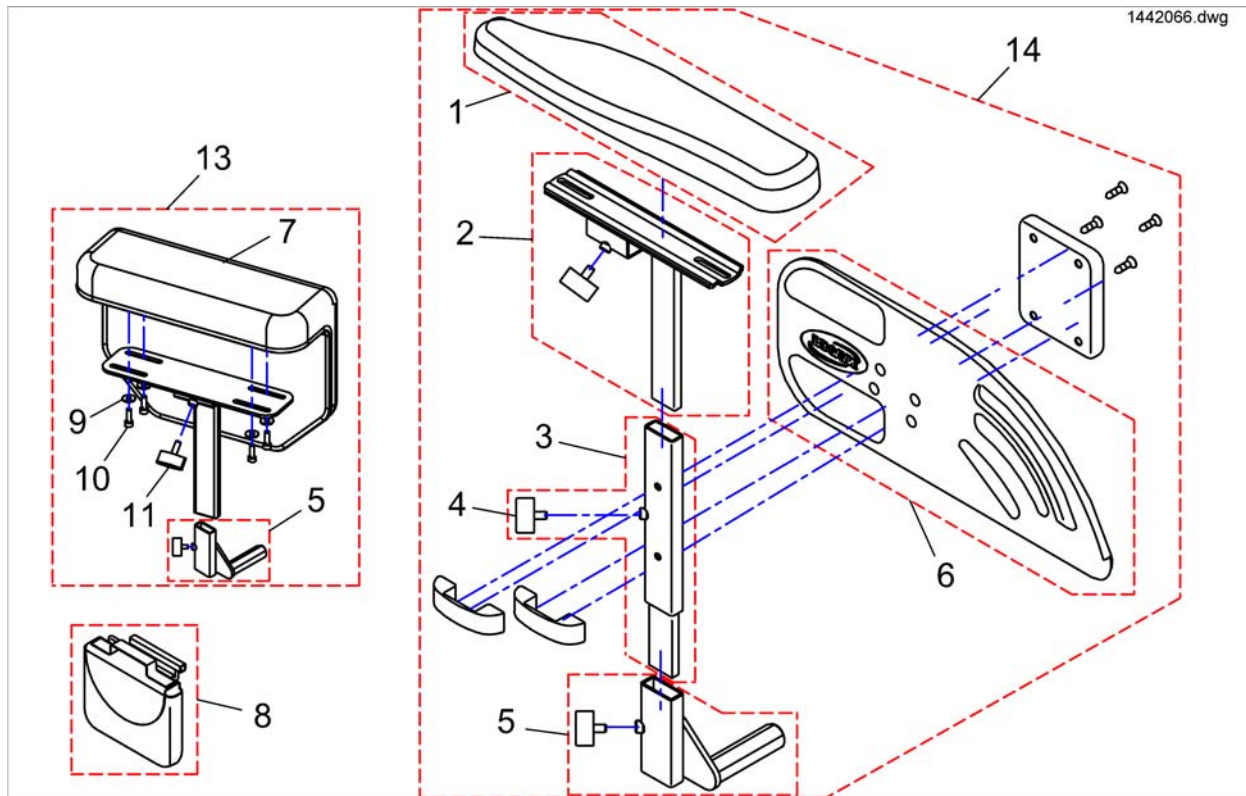
Footrest Details

SP1423202.dwg



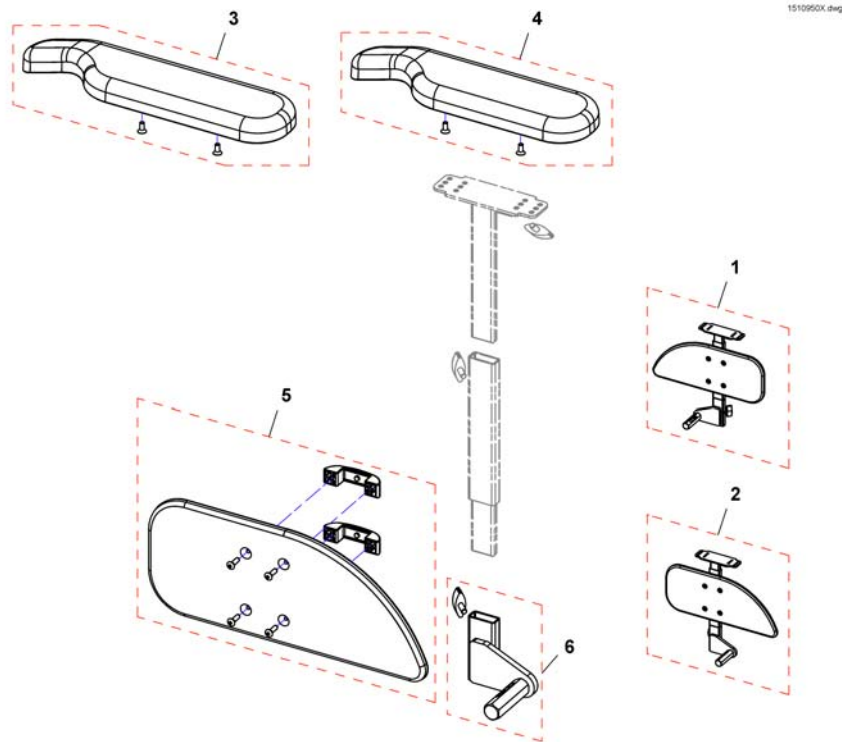
Pos.	Part number	Description	Valid from → until	Qty
1	SP1423202	HEEL STRAP CPL.		1
5	SP5321579	Heel Strap		1
2	Z173217	AT 2000 footplate		1
2	Z173218	AT 2000 footplate		1
3	SP1423204	FOOT PLATE TUBE, ANGLE ADJUSTMENT LH CPL.		1
3	SP1423203	FOOT PLATE TUBE, ANGLE ADJUSTMENT RH CPL.		1
4	5106376	Footplate, angle and depth adjustable, 176 mm		1

Armrest for Standard-Seat ==> 07/31/08



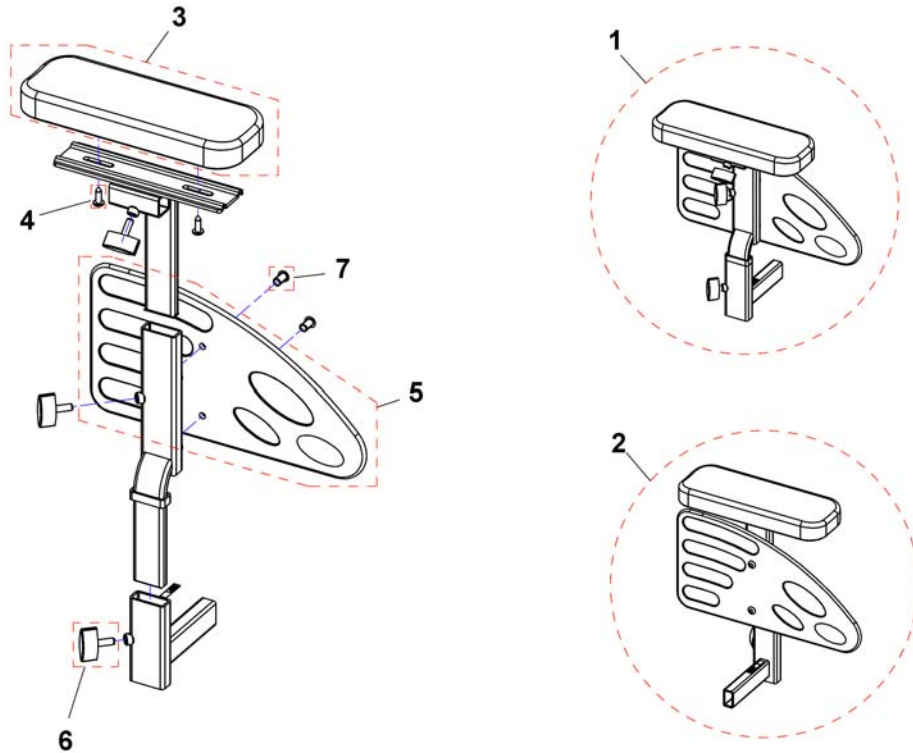
Pos.	Part number	Description	Valid from → until	Qty
a	1450296	Fixing Kit Side Part Plate		1
b	1450095	Assembly Kit, Side Part Plate, Soft		1
-	1448749-9005	Base Plate cpl. Dragon		1
1	1442618	Armrest Pad With Assembly Kit - LH cpl.		1
11	SPL10024	Wing knobs M6x16		1
1	1442619	Armrest Pad With Assembly Kit - RH cpl.		1
2	1442020-9005	Arm Pad Bracket LH		1
2	1442021-9005	Arm Pad Bracket RH		1
3	1442015-9005	Side Part Adjustment LH		1
3	1442012-9005	Side Part Adjustment RH		1
4	SPL10024	Wing knobs M6x16		1
5	1442024-9005	Armrest Support Tube LH		1
5	1442025-9005	Armrest Support Tube RH		1
6	1433291	Skirt-Guard (single part) - LH		1
6	1433292	Skirt-Guard (single part) - RH		1
7	1450100	Armrest Pad, Soft, Left With Assembly Kit		1
7	1450102	Armrest Pad, Soft, Right With Assembly Kit		1
9	5729046	Washer DIN9021-Ø5,3 zc		1
10	1415042	Cylinder bolt DIN912-M05x16-8.8 bk		1
13	SP1448753	Side Part Soft, Left, cpl.		1
13	SP1448754	Side Part Soft, Right cpl.		1
14	SP1442016	Side Part LH cpl.		1
14	SP1442017	Side Part RH cpl.		1

T-Armrest, detachable, with Armpad, for Standard Seat 2008-08-01 ==>



1510950X.dwg

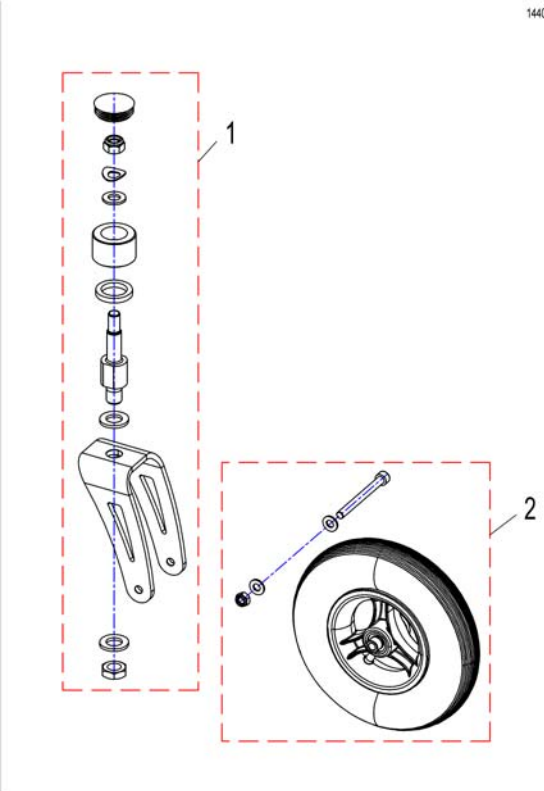
Pos.	Part number	Description	Valid from → until	Qty
1	SP1510935	Armrest, without armpad, RH		1
2	SP1510950	Armrest, without armpad, LH		1
3	SP1528846	Armpad, Extended (375mm), LH		1
3	SP1528845	Armpad, Extended (375mm), RH		1
4	SP1443004	Armpad, Standard (325mm), LH		1
4	SP1449043	Armpad, Standard (325mm), RH		1
5	SP1541505	Skirt guard, RH		1
5	SP1541506	Skirt guard, LH		1
6	SP1541510	Bracket for T-arm, RH		1
6	SP1541511	Bracket for T-arm, LH		1



Pos.	Part number	Description	Valid from → until	Qty
1	SP1448702	Side part, SW 29-36cm, RH, cpl.		1
2	SP1448703	Side part, SW 29-36cm, LH, cpl.		1
1	SP1488549	Side part, SW 32-40cm, RH, cpl.		1
2	SP1488550	Side part, SW 32-40cm, LH, cpl.		1
3	5009885	Armrest Pad Comet		1
4	D36112	Slotted pan head screw DIN7981-4,8x16 bk		1
5	1425601	Skirtguard black for armrest 1		1
6	L10024	Wing knobs M6x16		1
7	D90184	Lens head screw DIN7380-M06x12-10.9 bk		1

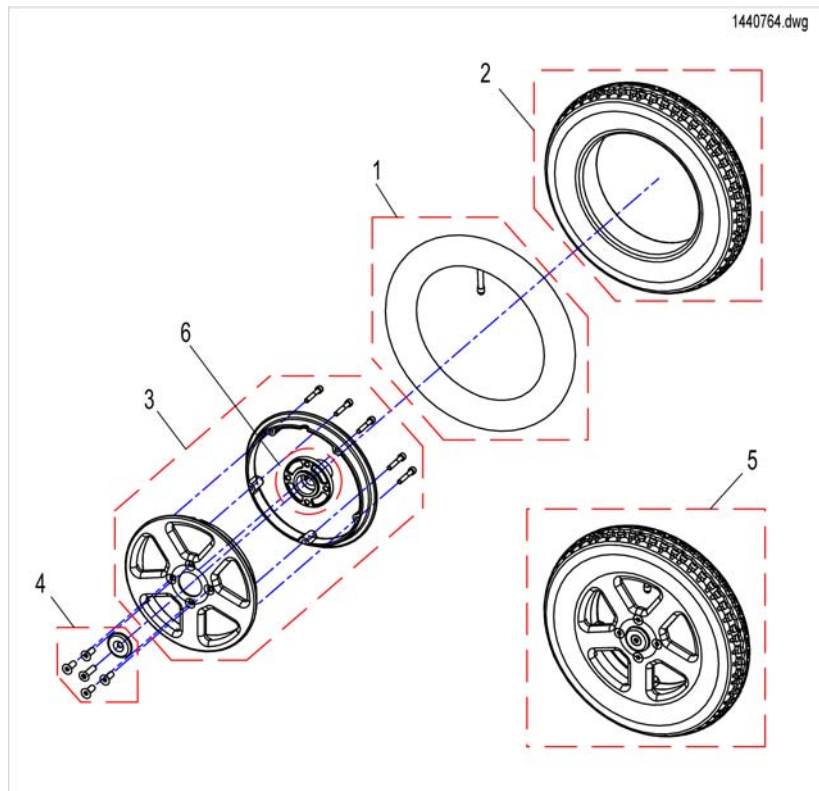
Front Wheels

1440628DR.dwg



Pos.	Part number	Description	Valid from → until	Qty
1	1442604	Front Fork cpl.	→ 2010-10-31	1
1	SP1544095	Front Fork cpl.	2010-11-01 →	1
1	SP1523435	Front Fork cpl. (Frame Melone Yellow)		1
2	SP1441999	Wheel 220X50 Pneumatic Grey <i>Design change 05/15 - please change both sides</i>	→ 2010-10-31	1
2	SP1544097	Wheel 2.8/2.5-4 NHS, pneumatic, grey	2010-11-01 →	1
2	SP1442607	Wheel 220X50 Puncture Proof (Solid Inlay) Grey	→ 2010-10-31	1
2	SP1544096	Frontwheel Ø220mm, puncture proof, cpl.	2010-11-01 →	1

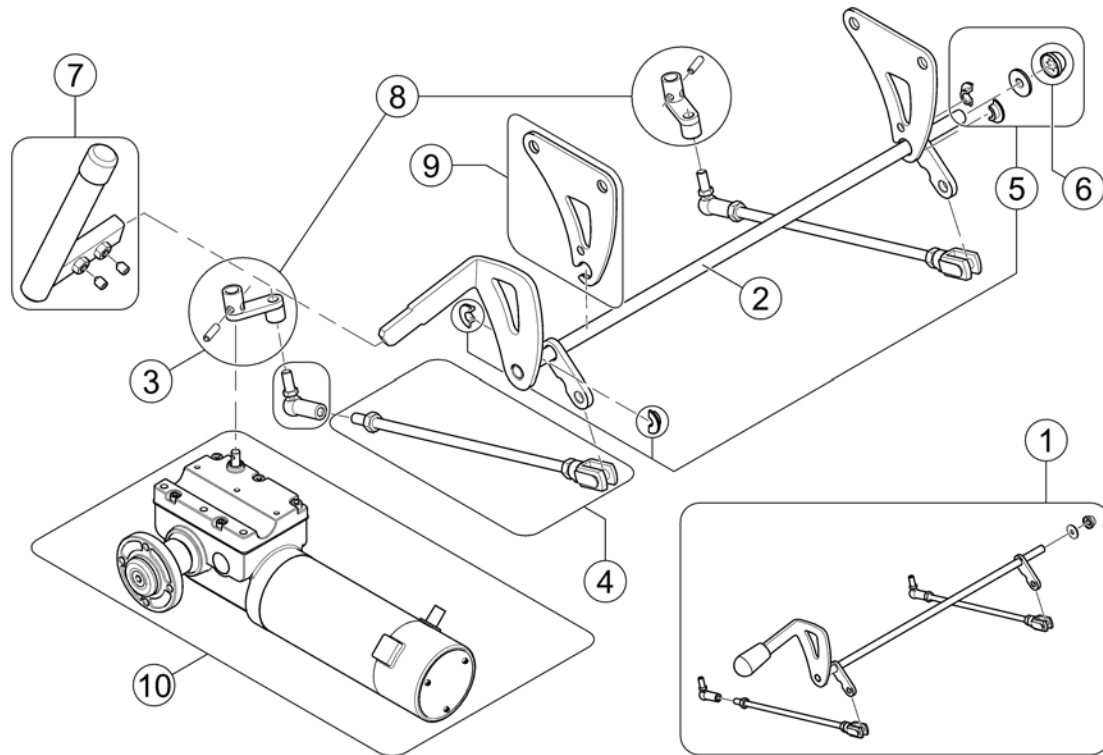
Rear Wheel



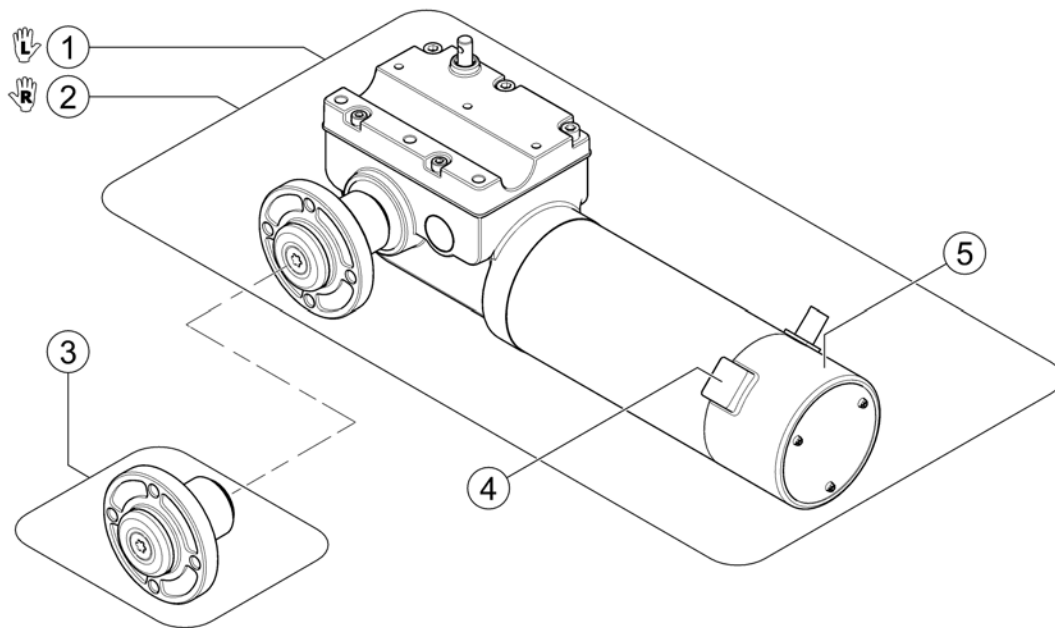
Pos.	Part number	Description	Valid from → until	Qty
5	SP1440764	Pneumatic Rear Wheel Complete		1
5	SP1442858	Puncture-Proof Rear Wheel Complete (Solid Inlay)		1
5	SP1488561	Rearwheel Pneumatic, cpl. Dragon Start		1
5	SP1488562	Rearwheel Puncture Proof, cpl. Dragon Start		1
1	M12004	Inner Tube 12.5" x 2.25"		1
2	M11005	Tire 12.5" x 2.25"		1
2	23009262	Tire 12.5" x 2.25" Puncture Proof		1
4	1440294	Wheel Fixing Kit, Wheel 12.5"		1
3	1442602	Wheel Rim Kit, black, cpl.		1
3	SP1523436	Rim Assembly-Kit		1

Decoupling Dragon Jr.

1441594.iss



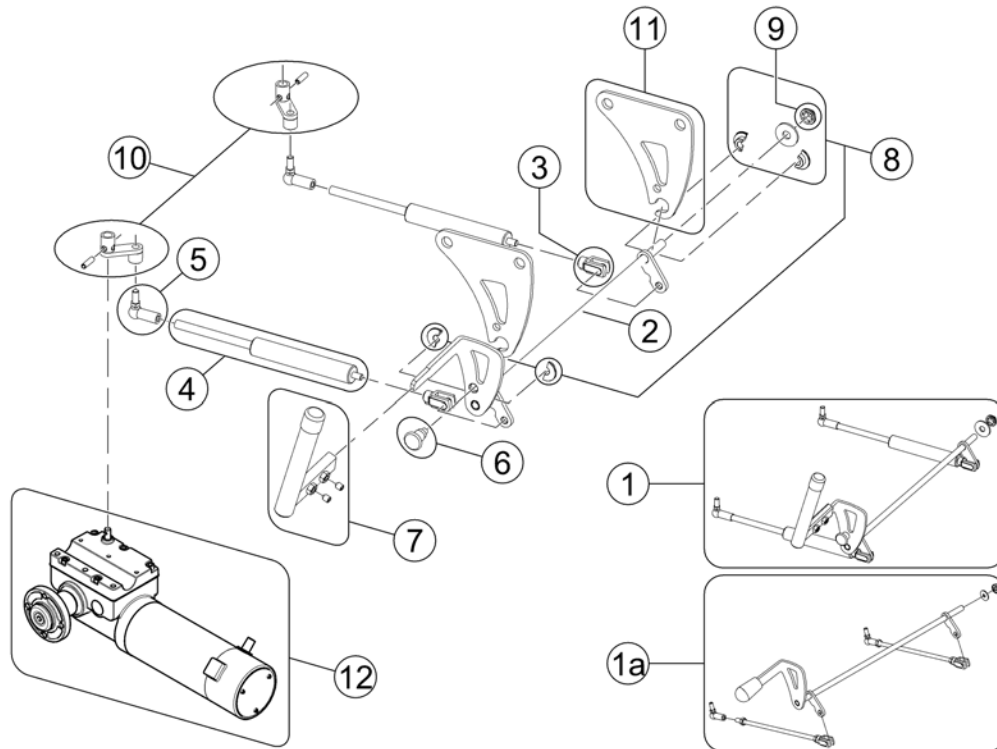
Pos.	Part number	Description	Valid from → until	Qty
1	SP1440712	Decoupling, complete		1
2	1440643-9005	Disengager		1
3	1430138	Angle Joint M6 R		1
4	SP1541500	Decoupling Rod		1
5	1442690	Mounting-Kit Disengager		1
6	1442019	Starlock Cap 8 mm		1
7	SP1509652	Disengager lever, complete		1
8	1485273	Lever Arm Set incl. Assembly		1
-	SP1530172	Rework-Kit Dragon 2008-07-15 (Schmid) -> 2008-07-16 (Hua-Feng) - Motors sold separately! <i>For using motors from 2008-07-16 on chairs built until 2008-07-15</i>		1
9	1440701-0003	Holding Plate For Disengager		1
10	-	Propulsion Unit Dragon Jr.		1



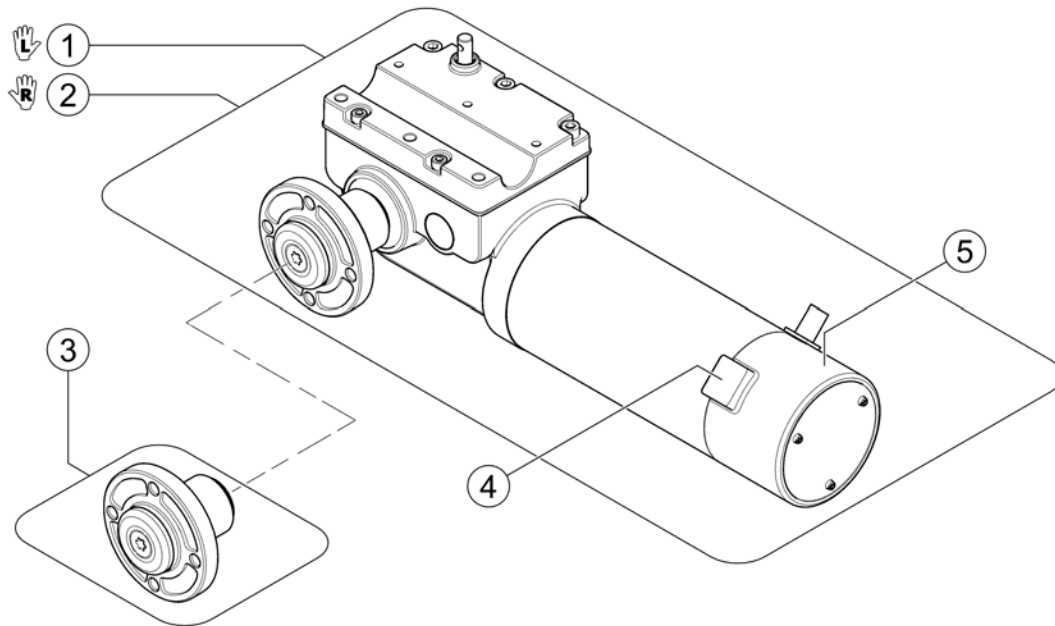
Pos.	Part number	Description	Valid from → until	Qty
-	SP1530172	Rework-Kit Dragon 2008-07-15 (Schmid) -> 2008-07-16 (Hua-Feng) - Motors sold separately! <i>For using motors from 2008-07-16 on chairs built until 2008-07-15</i>		1
-	-	INFO! Schmid Motor: 12-digit S/N - Hua-Feng Motor: 10-digit S/N		0
1	SP1590791	Propulsion incl. Hub 6km/h (Hua-Feng) - LH <i>Please use Rework Kit SP1530172 for chairs built before 2008-07-16 - replaces 1440651 AMT Schmid 6km/h LH</i>	2008-07-16 →	1
2	SP1590893	Propulsion incl. Hub 6km/h (Hua-Feng) - RH <i>Please use Rework Kit SP1530172 for chairs built before 2008-07-16 - replaces 1440650 AMT Schmid 6km/h RH</i>	2008-07-16 →	1
3	SP1591027	Kit, Hub incl. retaining compound, washer & screw		1
4	1441655	Motor Brushes - Hua-Feng (1 pair)	2008-07-16 →	1
4	1446571	Carbon Brush 8x10x17.5 - AMT Schmid (1 pc)	→ 2008-07-15	2
5	P09199	Brake Kit ATG 106W - Hua-Feng	2008-07-16 →	1

Decoupling 6/8 km/h

1509570.kim



Pos.	Part number	Description	Valid from → until	Qty
1	SP1509570	Decoupling, complete <i>replaces SP1440712</i>	2008-07-16 →	1
1a	-	No longer available - please refer to Replacement Info for which part is to be used instead. <i>replaced by SP1509570</i>	→ 2008-07-15	0
2	1440643-9005	Disengager		1
3	1430139	Knuckle Joint		1
4	1509571	Gas spring		1
5	1430138	Angle Joint M6 R		1
6	5006742	Pull-Latch, small		1
7	SP1509652	Disengager lever, complete		1
8	1442690	Mounting-Kit Disengager		1
9	1442019	Starlock Cap 8 mm		1
10	1485273	Lever Arm Set incl. Assembly		1
11	1440701-0003	Holding Plate For Disengager		1
-	SP1530172	Rework-Kit Dragon 2008-07-15 (Schmid) -> 2008-07-16 (Hua-Feng) - Motors sold separately! <i>For using motors from 2008-07-16 on chairs built until 2008-07-15</i>		1
-	-	INFO! Schmid Motor: 12-digit S/N - Hua-Feng Motor: 10-digit S/N		0
12	-	Propulsion Unit Dragon		1



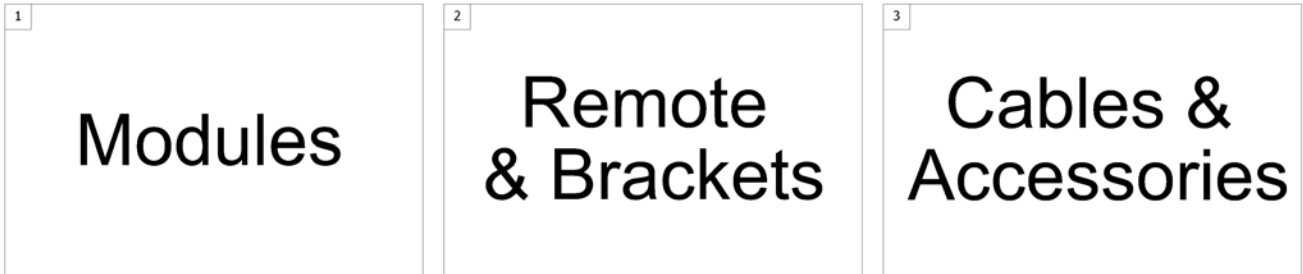
Pos.	Part number	Description	Valid from → until	Qty
-	SP1530172	Rework-Kit Dragon 2008-07-15 (Schmid) -> 2008-07-16 (Hua-Feng) - Motors sold separately!		1
-	-	INFO! Schmid Motor: 12-digit S/N - Hua-Feng Motor: 10-digit S/N		1
1	SP1590791	Propulsion incl. Hub 6km/h (Hua-Feng) - LH <i>Please use Rework Kit SP1530172 for chairs built before 2008-07-16 - replaces 1440651 AMT-Schmid 6km/h LH</i>	2008-07-16 →	1
1	SP1590898	Propulsion incl. Hub 8km/h (AMT Schmid) - LH		1
2	SP1590893	Propulsion incl. Hub 6km/h (Hua-Feng) - RH <i>Please use Rework Kit SP1530172 for chairs built before 2008-07-16 - replaces 1440650 AMT-Schmid 6km/h RH</i>	2008-07-16 →	1
2	SP1590899	Propulsion incl. Hub 8km/h (AMT Schmid) - RH		1
3	SP1591027	Kit, Hub incl. retaining compound, washer & screw		1
4	1441655	Motor Brushes - Hua-Feng (1 pair)	2008-07-16 →	1
4	1446571	Carbon Brush 8x10x17.5 - AMT Schmid (1 pc)		1
5	P09199	Brake Kit ATG 106W - Hua-Feng	2008-07-16 →	1

Electronic



Pos.	Part number	Description	Valid from → until	Qty
1	-	ACS Electronic		1
2	-	Shark Electronic		1

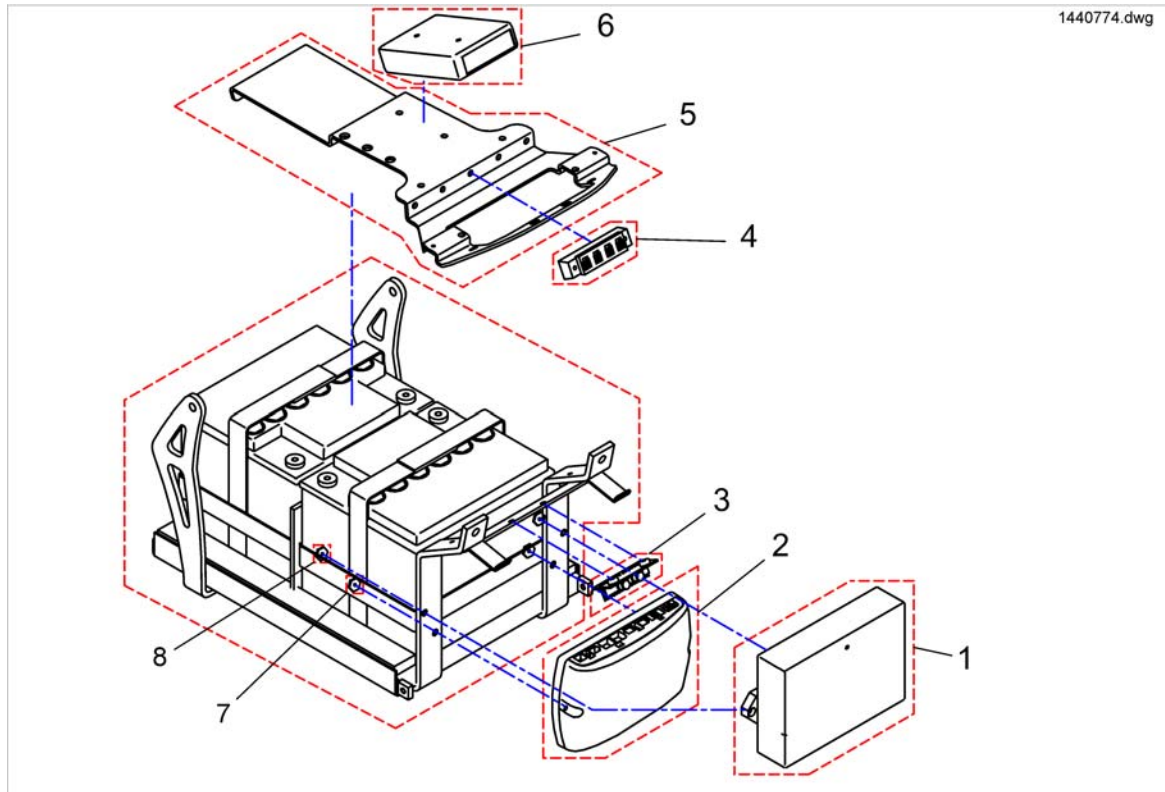
1500784.sp



Pos.	Part number	Description	Valid from → until	Qty
1	-	ACS Electronic Modules		1
2	-	ACS Remote & Brackets		1
3	-	ACS Cables & Accessories		1

ACS Electronic Modules

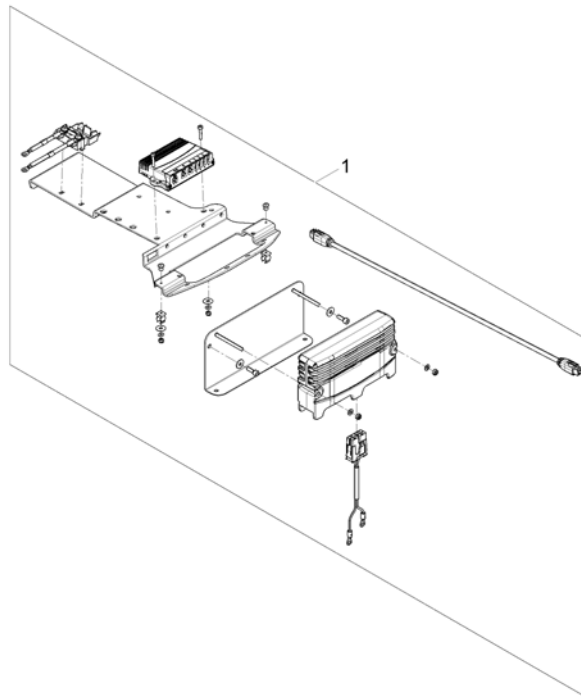
Pos.	Part number	Description	Valid from → until	Qty
-		Electronic Modules		1
-		Upgrade-Kit 80A ACS => ACS2, Dragon / Tiger / Topan		1



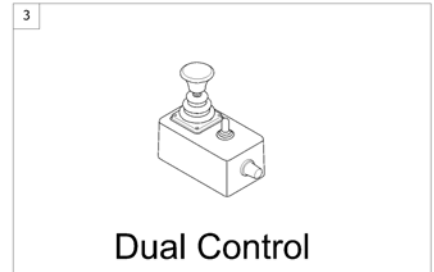
Pos.	Part number	Description	Valid from → until	Qty
-	1415004	Central Light Distributor Circuit Board ACS/Shark		1
1	-	No longer available - please refer to Replacement Info for which part is to be used instead. <i>6001423 Powermodule ACS 60A DX-PMB-AS replaced by SP1570293 Upgrade-Kit ACS => ACS2</i>		0
2	1433332	Powermodule, Shark, 75A, drive only, DK-PMB01		1
2	1448744	Powermodule, Shark, 75A, 2 actuators, DK-PMB21 <i>replaced by item SP1577053</i>	→ 2016-06-30	1
2	SP1577053	Powermodule, Shark, 75A, 2 Actuators, DK-PMB28 <i>replaces item 1448744</i>	2016-07-01 →	1
2	AT.1433332	Replacement Part For Shark-Elektronik DK-PMA1		1
2	AT.1448744	Replacement Part For DK-PMB21 For Electrical Adjustment		1
2	AT.1495783	Replacement Part For DK-PMB21 For Electrical Adjustment		0
2	1136898	Powermodule, Shark, 90A, 2 actuators, DK-PMC28		1
3	SP1442052	Light Plate Central Distributo for Lighting System Completely with Holder and Mounting kit		1
4	P10072	BUS4 Way Socket		1
5	1442877	ACS Device Support		1
6	P10081	ACS Light/Actuator Module (Clam)		1
8	1487372	Special Nut Shark	2005-08-01 →	1
8	1487496	Special Nut ACS	2005-08-01 →	2

Upgrade-Kit 80A ACS => ACS2, Dragon / Tiger / Topan

1570293.00



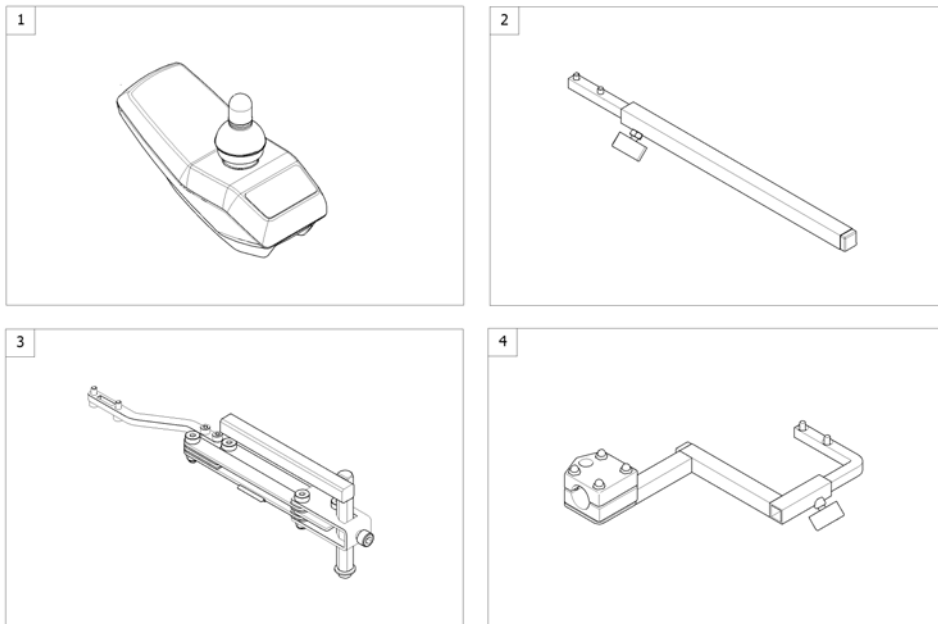
Pos.	Part number	Description	Valid from → until	Qty
1	SP1570293	Upgrade-Kit ACS 80A ==> ACS2 <i>Driver program to be updated. Please contact IVCR Service / Lock wascher between module and bracket!</i>		1



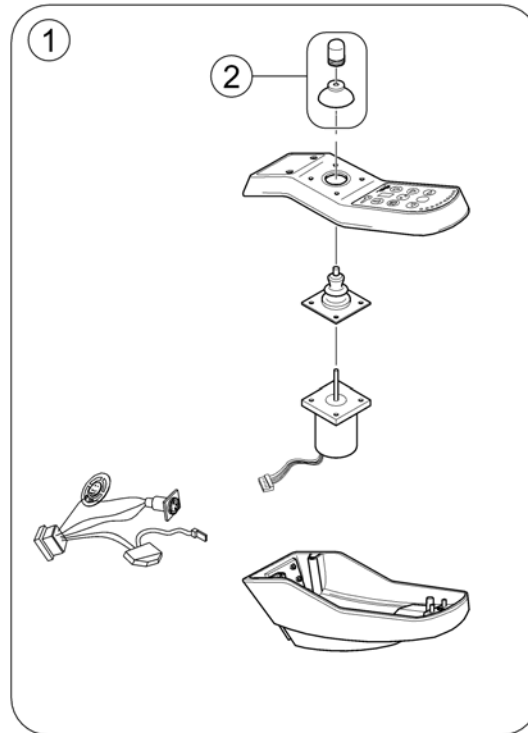
Pos.	Part number	Description	Valid from → until	Qty
1	-	REM 24 SD with brackets <i>[1601/1602]</i>		1
2	-	REM 550 with brackets <i>[1617/1618]</i>		1
3	-	Dual Control with brackets <i>[1291/1292]</i>		1

REM 24 SD with brackets

1562696 iso



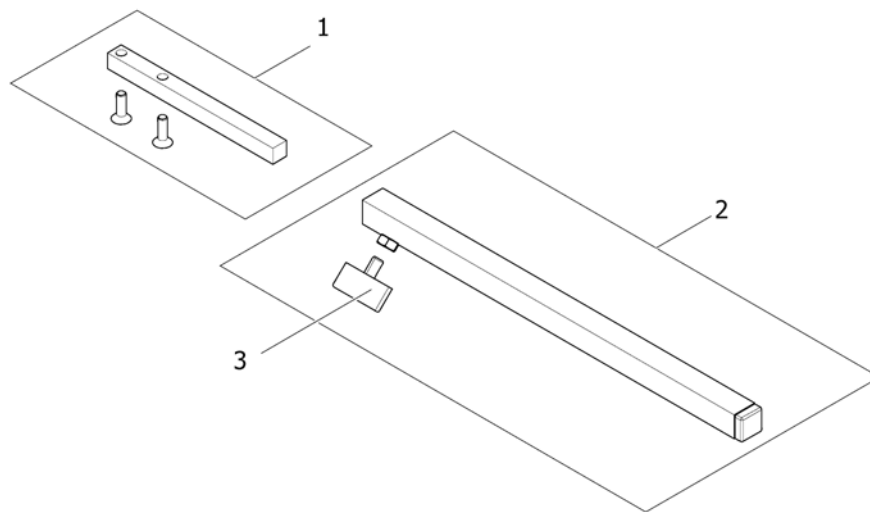
Pos.	Part number	Description	Valid from → until	Qty
1	-	Remote REM 24SD [1601/1602]		0
2	-	Remote Bracket Standard [1601+1207/1208]		1
3	-	Remote Bracket Swing away & height adjust. [1601+1707/1708]		1
4	-	Remote Bracket Attendant [1602+1207/1208]		1



Pos.	Part number	Description	Valid from → until	Qty
1	1436541	Remote REM24SD		1
2	SPZ183229	Remote knob cpl.		1

Remote Bracket Standard

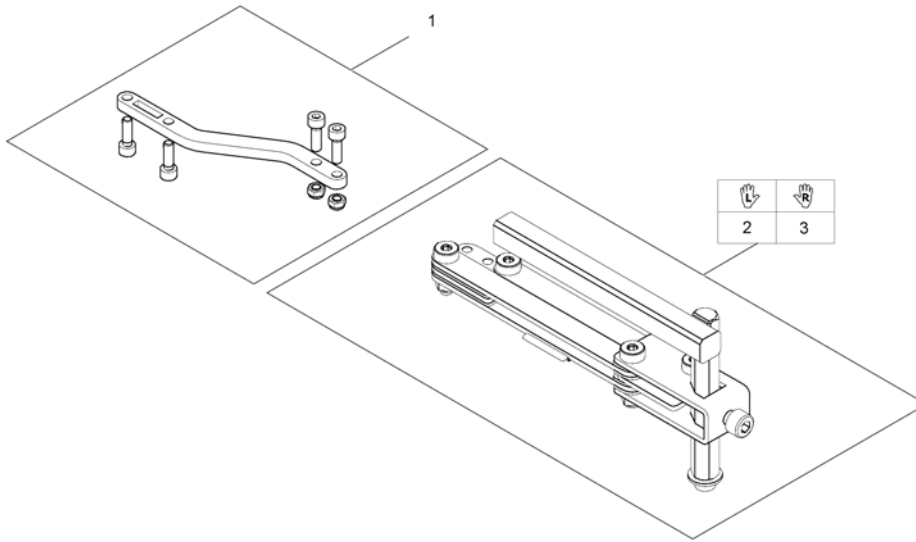
1559851.iso



Pos.	Part number	Description	Valid from → until	Qty
1	SP1436542	Support, Standard		1
2	SPS183040	Remote Bracket, Standard		1
3	L31001	Wing Scew M6X10		1

Remote Bracket Swing away & height adjust.

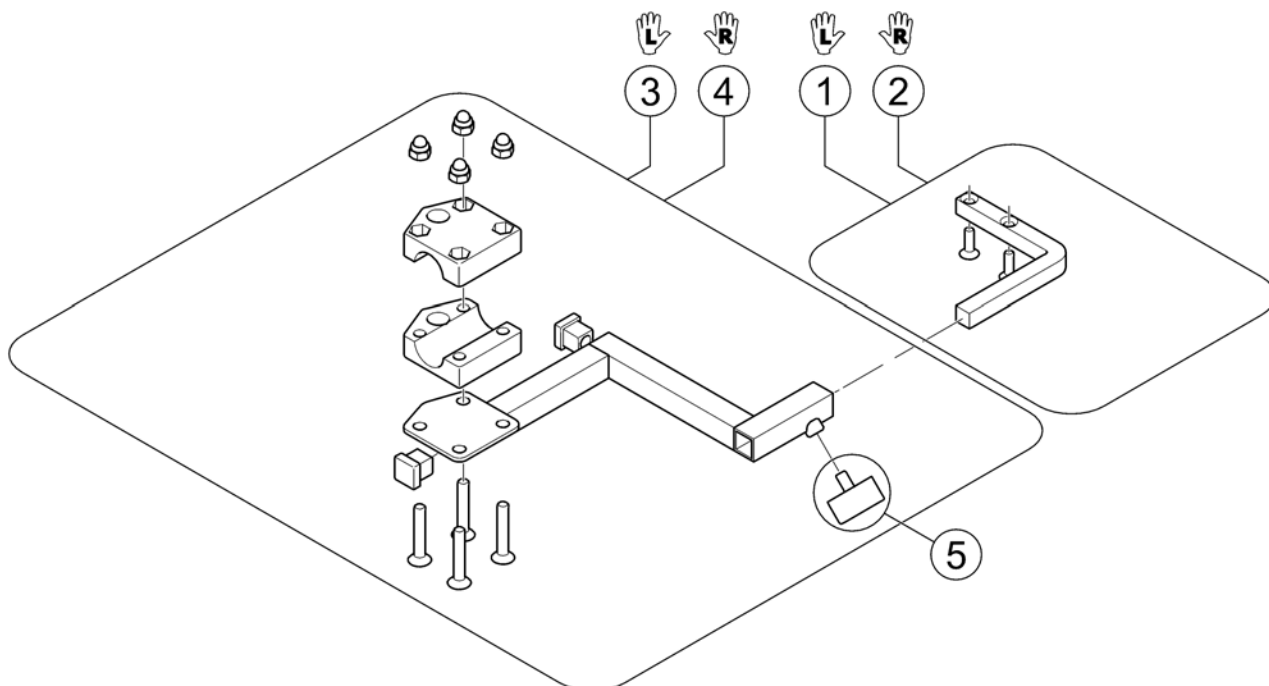
1559852.iso



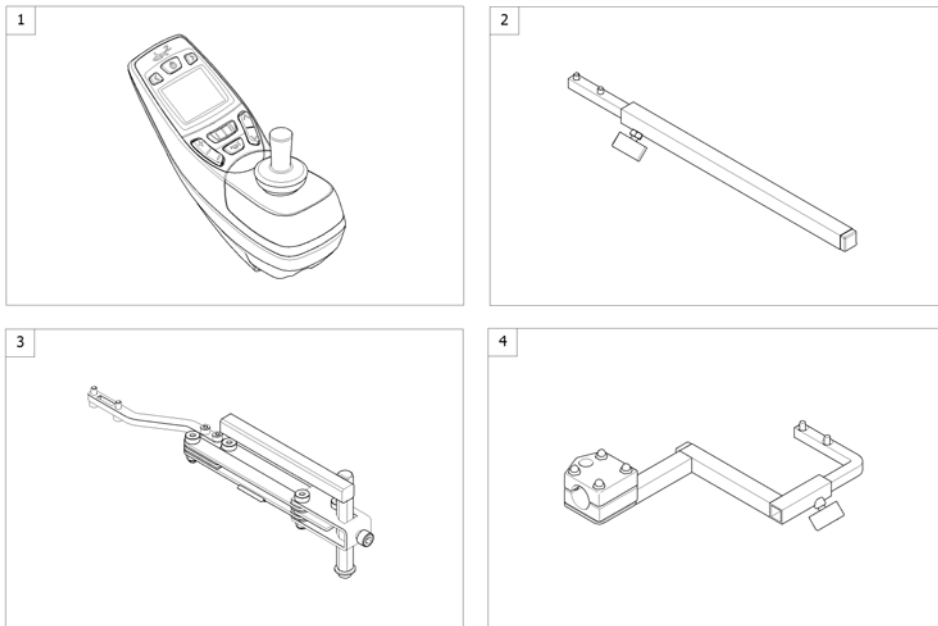
Pos.	Part number	Description	Valid from → until	Qty
1	SP1498222	Remote Support for Bracket height adjustable and swing away		1
2	SP1496249	Remote bracket, height adjustable & swing away, LH		1
3	SP1496248	Remote bracket, height adjustable & swing away, RH		1

Remote Bracket Attendant

1560837.00



Pos.	Part number	Description	Valid from → until	Qty
1	1422806	Remote Support LH		1
2	1422810	Remote Support RH		1
3	SP1422937	Bracket for attendant control LH		1
4	SP1422936	Bracket for attendant control RH		1
5	L31001	Wing ScREW M6X10		1



Pos.	Part number	Description	Valid from → until	Qty
-	-	If retrofitting, the user manual must be ordered separately!		1
-	-	User Manuals REM 550		1
1	SP1523444	Remote REM550 [1617/1618]		1
2	-	Remote Bracket Standard [1617+1207/1208]		1
3	-	Remote Bracket Swing away & height adjust. [1617+1207/1208]		1
4	-	Remote Bracket Attendant [1618+1207/1208]		1

User Manuals REM 550

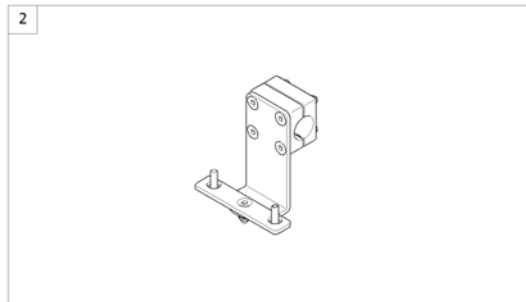
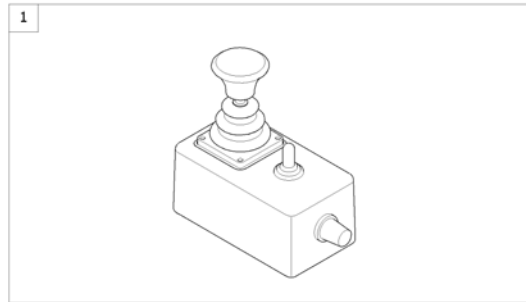
languages.iso

BG	Български	FR	Français	NL	Nederlands	SV	Svenska
CS	Čeština	HE	עברית	NO	Norsk	UK	Українська
DA	Dansk	HR	Hrvatski	PL	Polski		
DE	Deutsch	HU	Magyar	PT	Português		
EN	English	IT	Italiano	RU	Русский		
ES	Español	JA	日本語	RO	Română		
ET	Eesti	LV	Latviešu	SK	Slovenčina		
FI	Suomi	LT	Lietuvių	SL	Slovenščina		

Pos.	Part number	Description	Valid from → until	Qty
	IT 1528094	User Manual REM550 Italiano		1
	NO 1528096	User Manual REM550 Norsk		1
	ES 1528091	User Manual REM550 Spanish		1
	FI 1528092	User Manual REM550 Finsk		1
	EN 1528090	User Manual REM550 English		1
	DA 1528088	User Manual REM550 Danish		1
	NL 1528095	User Manual REM550 Dutch		1
	DE 1528089	User Manual REM550 German		1
	PT 1528097	User Manual REM550 Portuguese		1
	SV 1528098	User Manual REM550 Swedish		1
	FR 1528093	User Manual REM550 French		1
	CS SP1533280	User Manual REM550 Czech		1
	ET SP1533281	User Manual REM550 Estonian		1
	HR SP1533279	User Manual REM550 Croatian		1
	HU SP1533282	User Manual REM550 Hungarian		1
	LT SP1533283	User Manual REM550 Lithuanian		1
	PL SP1533284	User Manual REM550 Polish		1
	SL SP1533285	User Manual REM550 Slovenian		1

Dual Control with brackets

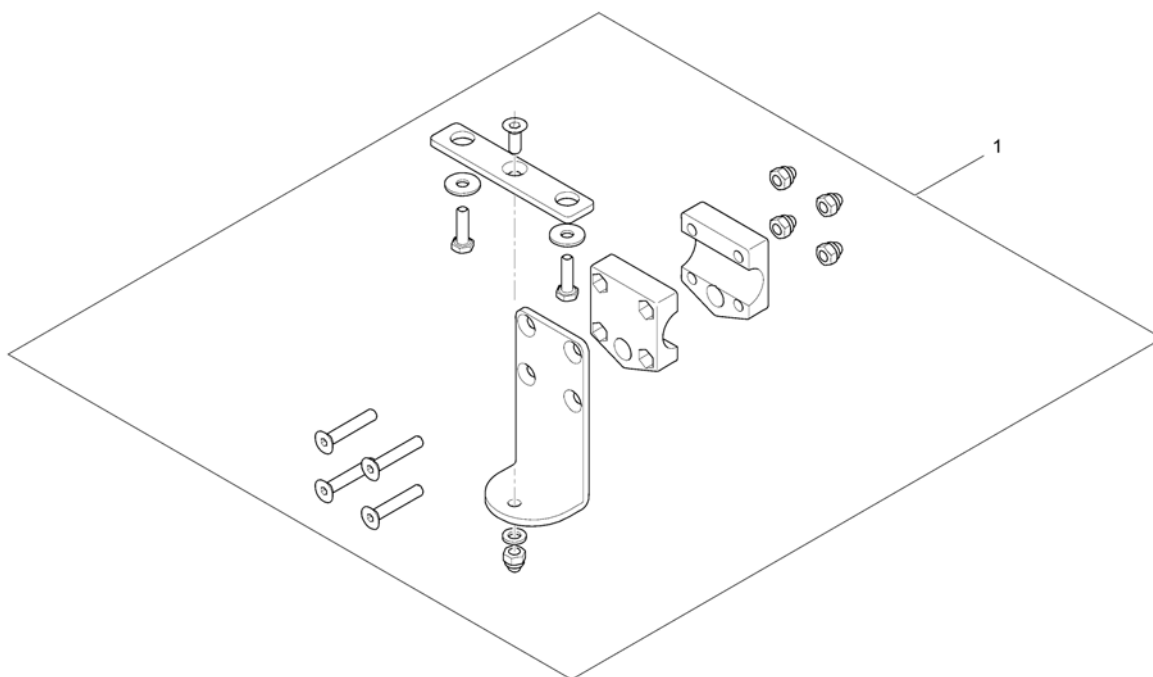
1562893 iso



Pos.	Part number	Description	Valid from → until	Qty
1	6001425	ACS dual control [1291/1292]		1
2	-	Remote Bracket Dual Control [1291/1292]		1

Remote Bracket Dual Control

1560885.iso



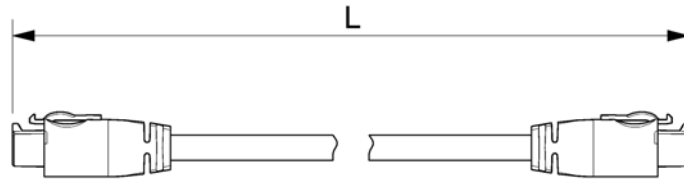
Pos.	Part number	Description	Valid from → until	Qty
1	SP1422818	Remote Bracket Dual Control		1

ACS Cables & Accessories

Pos.	Part number	Description	Valid from → until	Qty
-		Bus-Cables ACS		1
-		T-Adapter		0
-		T-Adapter - Modulite Seat		1
-		Programming Kits		1
-		Magnetkey for Remotes		1

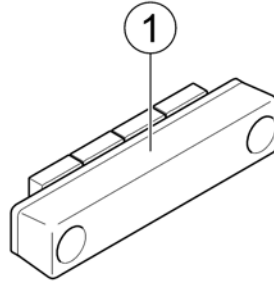
Bus-Cables ACS

ACSBUSKABEL.00



Position	L [mm]
1	300
2	500
3	700
4	1100
5	1700
6	2000
7	2500
8	2700
9	1060

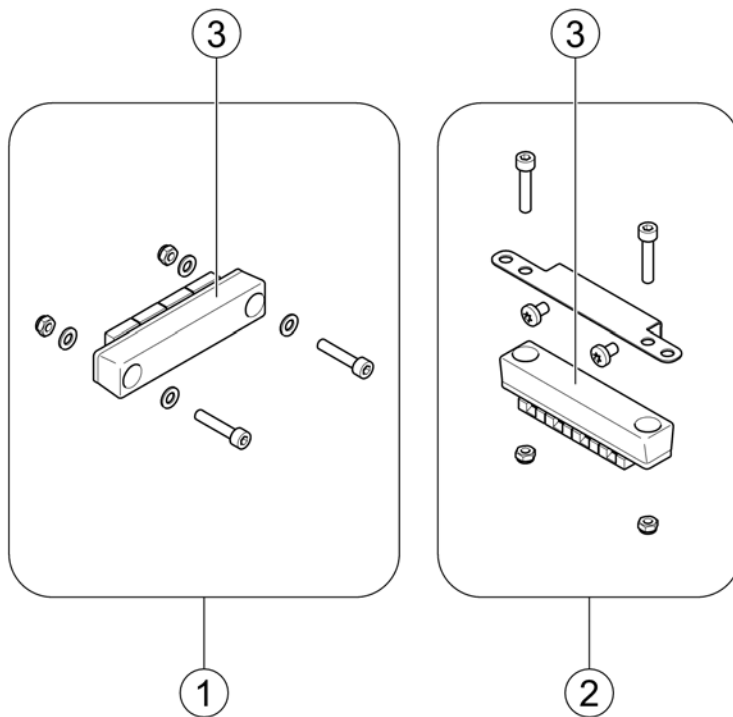
Pos.	Part number	Description	Valid from → until	Qty
1	GSM63003	Bus cable ACS, 300mm		1
2	SPGSM63005	Bus cable ACS - 500mm <i>Replace GSM63004</i>		1
3	GSM63007	Bus cable ACS 700mm		1
4	GSM63011	Bus cable ACS, 1100mm		1
5	1559862	Bus cable ACS, 1700mm <i>Replace GSM63016</i>		1
6	GSM63020	Bus cable ACS, 2000mm <i>Replace 1419386</i>		1
7	1440424	Bus cable ACS, 2500mm		1
8	SP1559873	Bus cable ACS - 2700mm <i>Replace GSM63026</i>		1
9	SP1550402	Extension cable ACS - 1060mm		1



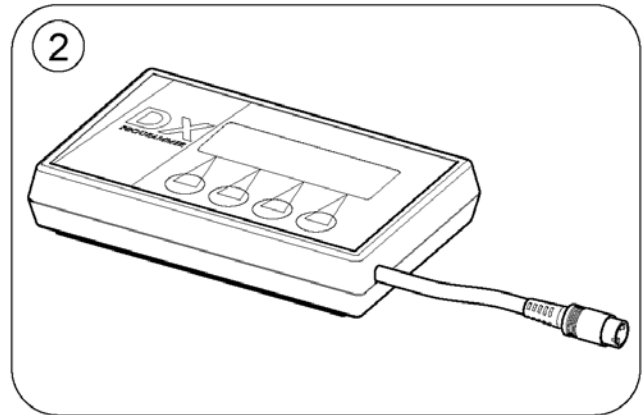
Pos.	Part number	Description	Valid from → until	Qty
1	P10072	BUS4 Way Socket		1

T-Adapter - Modulite Seat

1583360 iso



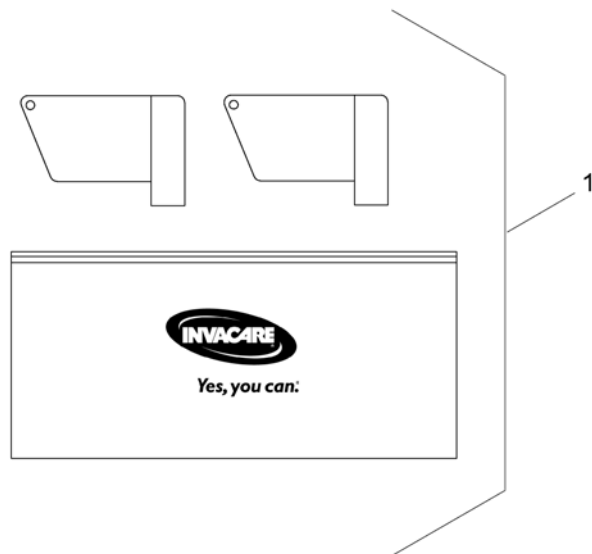
Pos.	Part number	Description	Valid from → until	Qty
1	SP1571826	T-Adapter - Modulite Seat		1
2	SP1569958	Bracket T-Adapter - Modulite Seat with MBL-Modul		1
3	P10072	BUS4 Way Socket		1



Pos.	Part number	Description	Valid from → until	Qty
1	1449280	USW wizard dongle kit, EDL-USW, cpl.		1
2	6001450	Hand Programmer, Instrucions In French, German, Spanish		1
	SP1441551	Programming Adapter Shark DK-ADAPT (necessary to program Shark)		1

Magnetkey for Remotes

1564186.iso



Pos.	Part number	Description	Valid from → until	Qty
1	SP1419695	Magnet key with bag		1

1559902.no

1
Modules

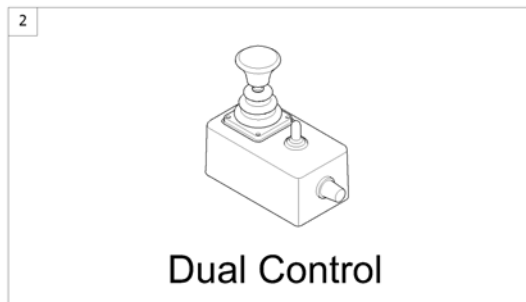
2
Remote
& Brackets

3
Cables

Pos.	Part number	Description	Valid from → until	Qty
1	-	Electronic Modules		1
2	-	Shark Remote & Brackets		1
3	-	Bus-Cables Shark		1

Shark Remote & Brackets

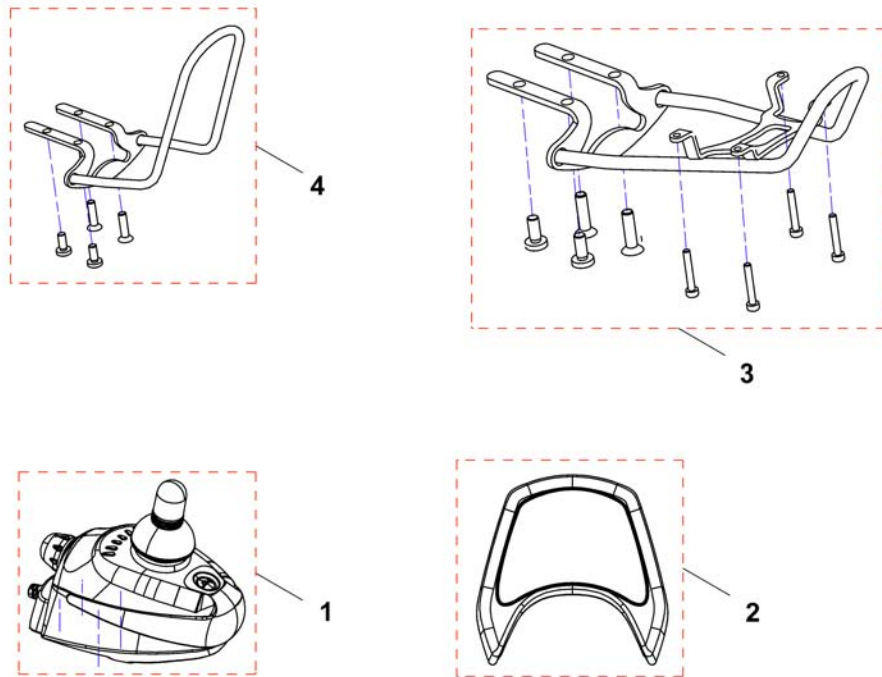
156025 iso



Pos.	Part number	Description	Valid from → until	Qty
-		Remote Shark DK-REM A05/B11 (==> 2005/12/01)		1
-		Remote Shark2 DK-REM D01/D11/D21 with Brackets (2005/11/01 ==>)		1
-		Remote Dual Control with Brackets		1

Remote Shark DK-REM A05/B11 (==> 2005/12/01)

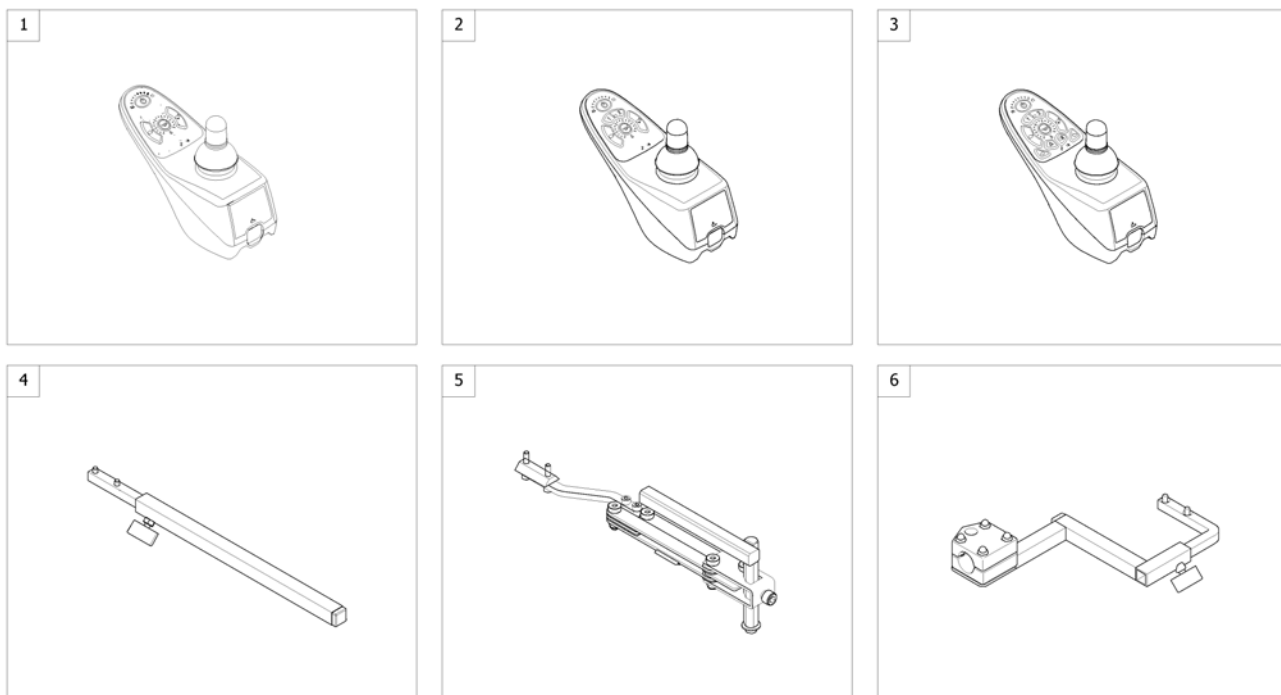
1568719.dwg



Pos.	Part number	Description	Valid from → until	Qty
1	AT.1441612	Replacement part for Remote Shark DK-REM A05 (drive only) incl. BUS cable 1.5m	→ 2005-12-01	1
1	AT.1448743	Replacement part for Remote Shark DK-REM B11 (drive & adjustments) incl. BUS cable 1.5m	→ 2005-12-01	1
2	SP1522494	Exchange-Kit for Shark 1 Lightmodule (AT.1440541) Standard Remote Holder		1
3	1442691	Protective Bumper for Shark Remote with Lightmodule, cpl.		1
4	SP1440312	Protective Bumper for Shark Remote without Lightmodule, cpl.		1
	1449299	Shark Retrofit Kit Operation Accompanying Person, Switchable		1
	SP1441551	Programming Adapter Shark DK-ADAPT (necessary to program Shark)		1

Remote Shark2 DK-REM D01/D11/D21 with Brackets (2005/11/01 ==>)

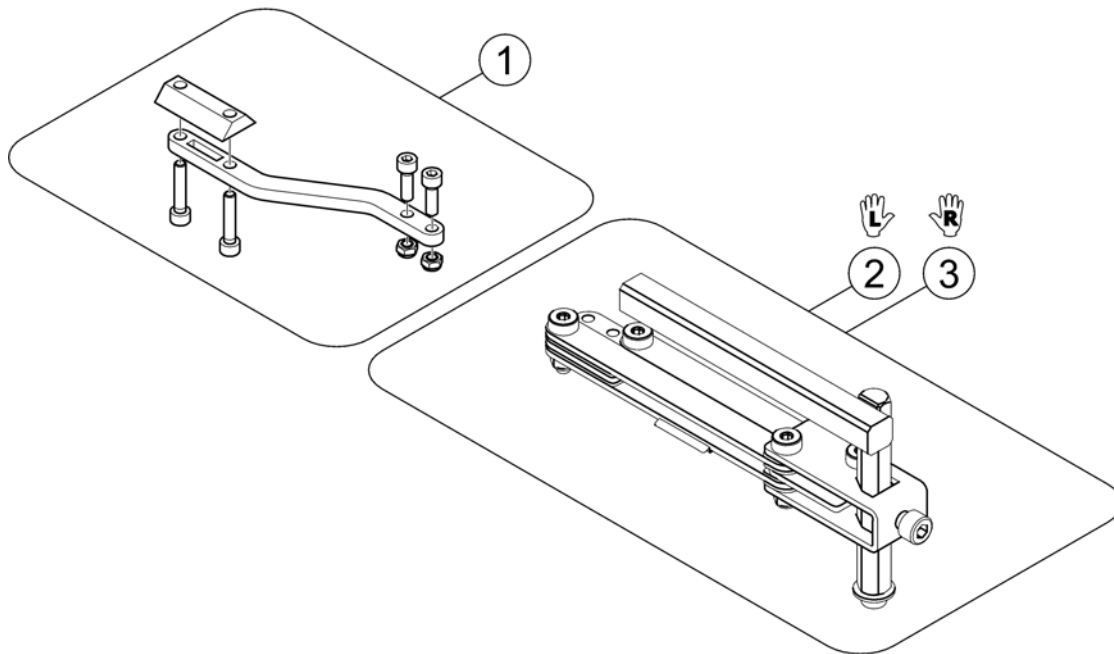
1563727 iso



Pos.	Part number	Description	Valid from → until	Qty
1	1492567	Remote DK-REM D01, Shark2 (Drive only) [1801/1802]	2005-11-01 →	1
2	1449177	Remote DK-REM D11, Shark2 (Drive & Adjustment) [1801/1802]	2005-11-01 →	1
3	1484904	Remote DK-REM D21, Shark2 (Drive, Adjustment, Light) [1801/1802]	2005-11-01 →	1
4	-	Remote Bracket Standard [1801+1207/1208]		1
5	-	Remote Bracket Swing away & height adjust. [1801+1707/1708]		1
6	-	Remote Bracket Attendant [1802+1207/1208]		1

Remote Bracket Swing away & height adjust.

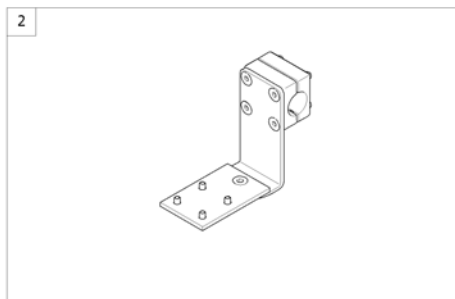
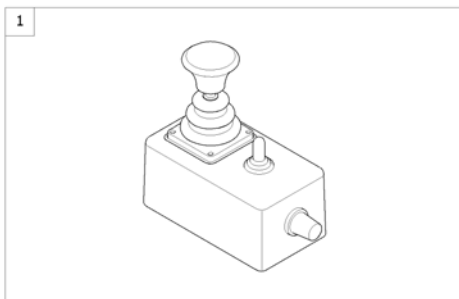
1559857.iso



Pos.	Part number	Description	Valid from → until	Qty
1	SP1536180	Support for Remote Bracket, height adjustable & swing away		1
2	SP1496249	Remote bracket, height adjustable & swing away, LH		1
3	SP1496248	Remote bracket, height adjustable & swing away, RH		1

Remote Dual Control with Brackets

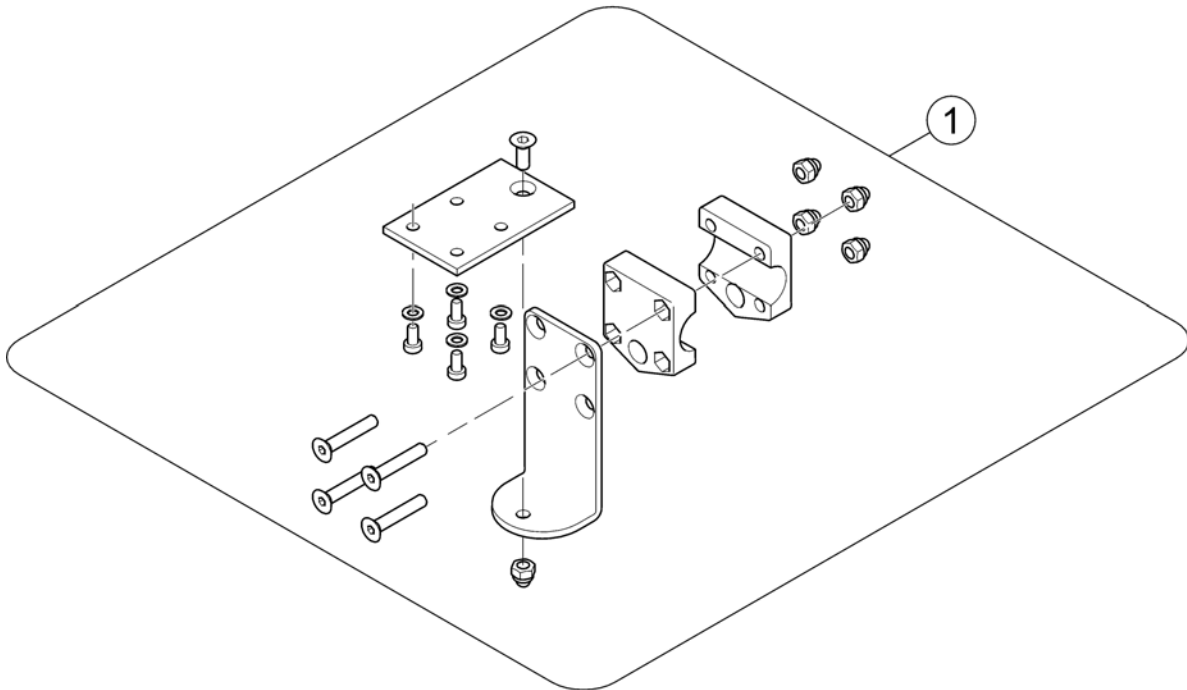
1563329.iss



Pos.	Part number	Description	Valid from → until	Qty
1	1444717	Shark Dual Control, switchable <i>[1891/1892]</i>		1
2	-	Remote Bracket Dual Control <i>[1891/1892]</i>		1

Remote Bracket Dual Control

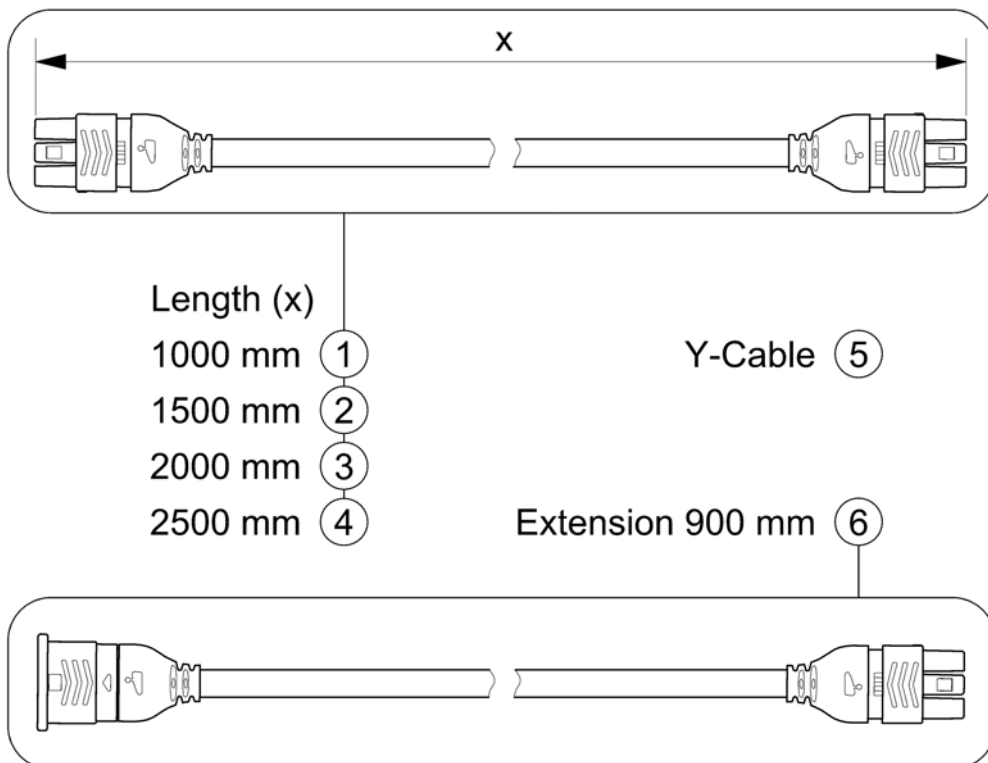
1560883.iso



Pos.	Part number	Description	Valid from → until	Qty
1	1450307	Remote Bracket Attendent Control Shark		1

Bus-Cables Shark

SHARKBUSKABEL.00



Pos.	Part number	Description	Valid from → until	Qty
1	1448922	Bus Cable Shark 1000mm		1
2	1450313	Buscable Shark 1500mm		1
3	1484911	Buscable Shark 2000mm		1
4	SP1510073	Buscable Shark 2500mm		1
5	1450314	Y-Cable		1
6	1116404	Extension Cable Shark 900mm		1

Batteries

Batterys.iso

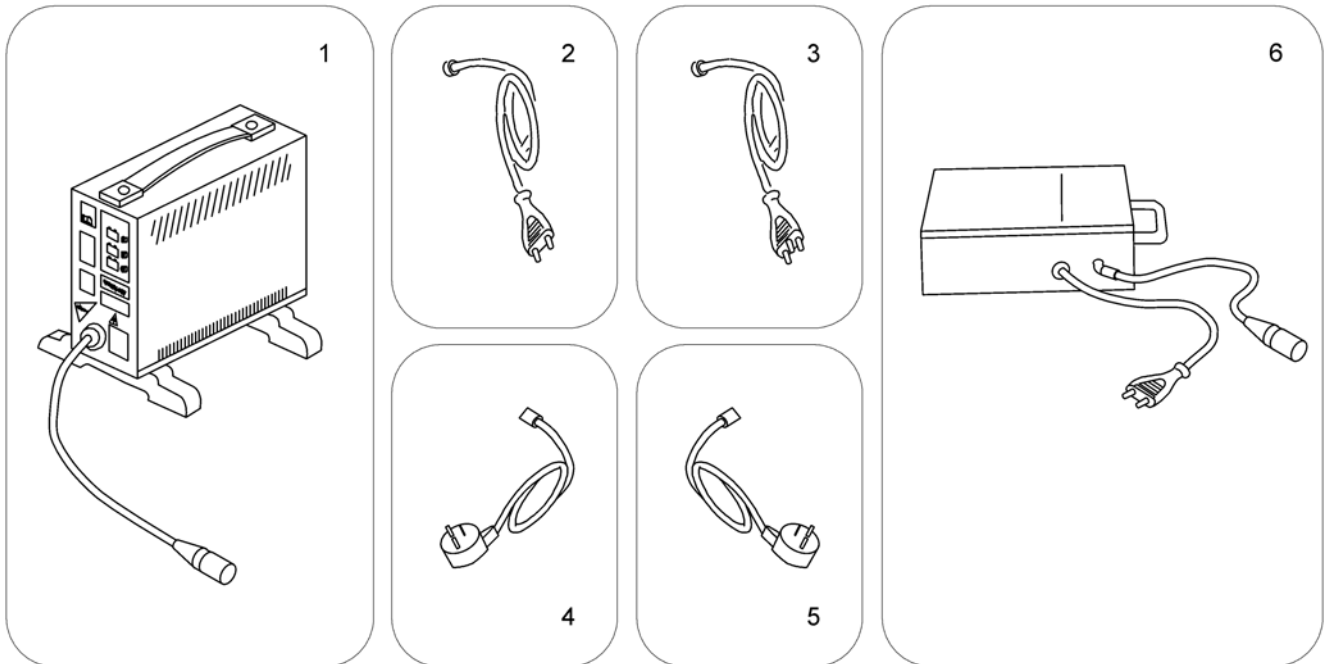
Product Name	Capacity (Ah)															
	1,2	12	30	31	32	36	38	40	40	50	50	50,9	60	70/73,6	75	97,6
Bora / SpectraXTR								8		10						
Dragon										10			13			
Dragon Vertic													13			
FDX													13			
G50													13	14		16
Kite													13	14		
Mirage				4				8								
Mistral				4								12				
P9000XDT					5											
Pronto M41					5											
Pronto M61					5											
Spectra Blitz								8				12				
Spectra Comfort							7									
Spectra Plus							7									
Storm3										10			13	14		
Storm3 True Track	1													14		
Storm3 Vertic														14		
Storm4 Max														14		
Stream										10			13			
TDX-SP <small>=> 2015/08/31</small>														14		
TDX-SP NB <small>=> 2015/08/31</small>												12				
Tiger										10			13			
Typhoon II	1												13			
Zephyr	1												13			
Comet														14	15	
Leo						6			9							
Lynx		2														
Orion											11					
Length (mm)	97	152	197	196	211	196	210	197	198	198	198	238	259	260	260	329
Width (mm)	49	99	132	132	132	130	175	168	165	166	165	140	169	171	168	171
Height (mm)	51	102	180	183	183	179	175	175	171	176	170	235	178	210	223	238
Weight (kg)	0,6	3,9	11,1	10,5	11	12	14,6	14,4	14,2	14	16	17,1	19,3	24,3	26	32,5



Pos.	Part number	Description	Valid from → until	Qty
-	-	Not listed products have their own battery page!		1
!	-	Important advice! Replace batteries in pairs. Never mix: manufactures, date codes or technologies (Gel with AGM batteries)		1
1	1440386	Battery, 12V/1,2Ah C20, GEL		1
2	SP1506493	Battery, 12V/12Ah, AGM		1
4	P50029	Battery, 12V/31Ah C20, GEL		1
5	SP1521459	Battery, 12V/34Ah C20, AGM		1
6	1505498	Battery, 12V/36Ah C20, AGM		1
7	P50028	Battery, 12V/38Ah C20, GEL (UK & DK only)		1
8	PG50988	Battery, 12V/40Ah C20, GEL		1
9	SP1550692	Battery, 12V/40Ah C20, AGM		1
10	SP1637564	Batteries, 12V/50Ah C20, AGM - matched pair <i>Always replace with matched pair only!</i>		1
11	SP1521695	Battery, 12V/50Ah C20 AGM		1
12	PG50989	Battery, 12V/50,9Ah C20, GEL		1
13	1432944	Battery, 12V/60Ah C20, GEL		1
14	P50016	Battery, 12V/70-73,6 Ah C20, Gel		1
15	SP1522026	Battery, 12V/75Ah C20, AGM		1
16	1478675	Battery, 12V/97,6Ah C20, GEL		1

Chargers

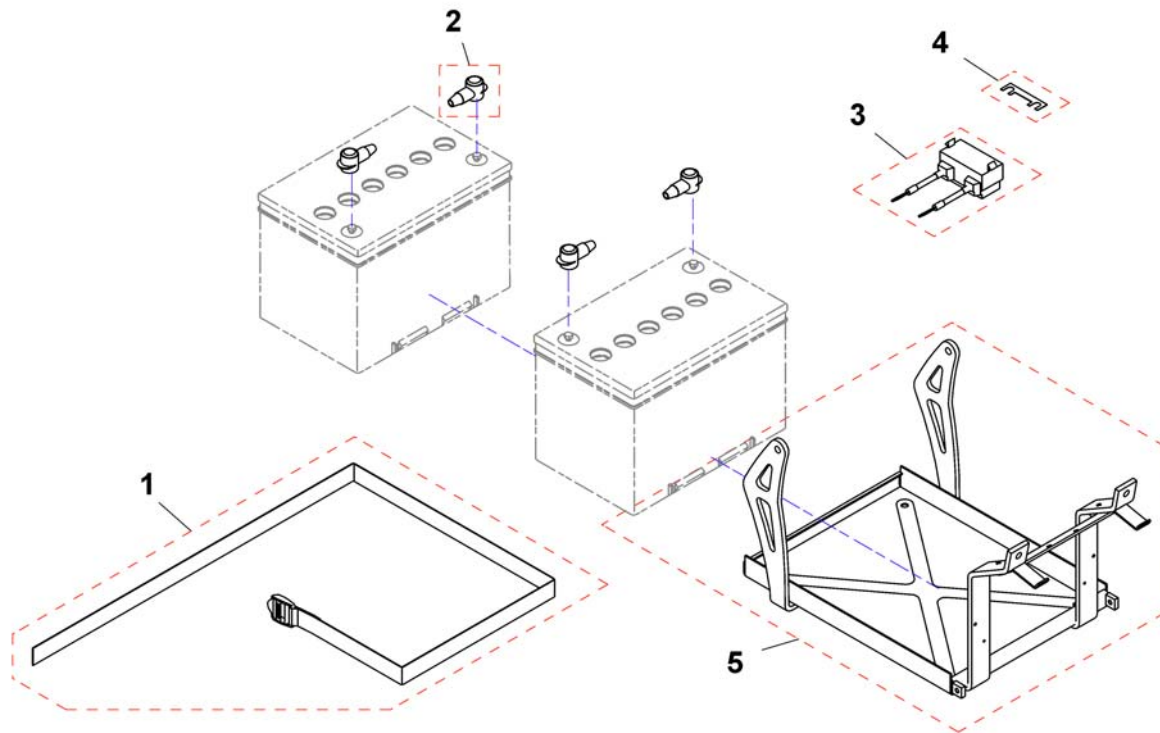
1589799 Iso



Pos.	Part number	Description	Valid from → until	Qty
1	SPP51981	Charger 8A without Power Cord <i>[1343]</i>		1
2	P21079	Power Cord Continental (Schuko GCB-0401)		1
3	P21080	Charger Cable (UK)		1
4	1443841	Power Cord Swiss (black 6A/250V)		1
5	SP1553849	Power Cord Israel (IEC 320 C13 to SI-32)		1
6	5813987	Charger 8A (Protectionclass IP54) incl. Power Cord Continental (Sweden only) <i>[1388]</i>		1

Battery support

1440773.png



Pos.	Part number	Description	Valid from → until	Qty
-	SP1523354	Battery Fixation-Kit for 50A AGM batteries		1
-	1440758	Battery Cable Shark		1
-	1442552	Battery Cable Shark With Light		1
-	1444668	Battery Cable ACS		1
-	SP1532880	Batterycable ACS2		1
1	1421655	Battery strap		1
2	P52996	Battery terminal cover		1
3	1440759	Strip Fuse Holder With 40A Fuse Shark		1
3	1444669	Strip Fuse Holder With Fuse 50A		1
3	1432561	Strip Fuse Holder with 80A Fuse		1
-	SP1588075	Cable Tie Set V0 (10 of each T18R/T30R/T50R)		1
4	1442600	Strip Fuse 40A (SHARK)		1
4	P12191	Fuse 50A		1
4	1433734	Strip Fuse 80A		1
5	1492498	Battery Frame ACS		1

Cables

GSM63003DR.dwg

Kabel für Licht- und Aktuatormodule (CLAM)
Cable for Light- and Actuator modules (CLAM)

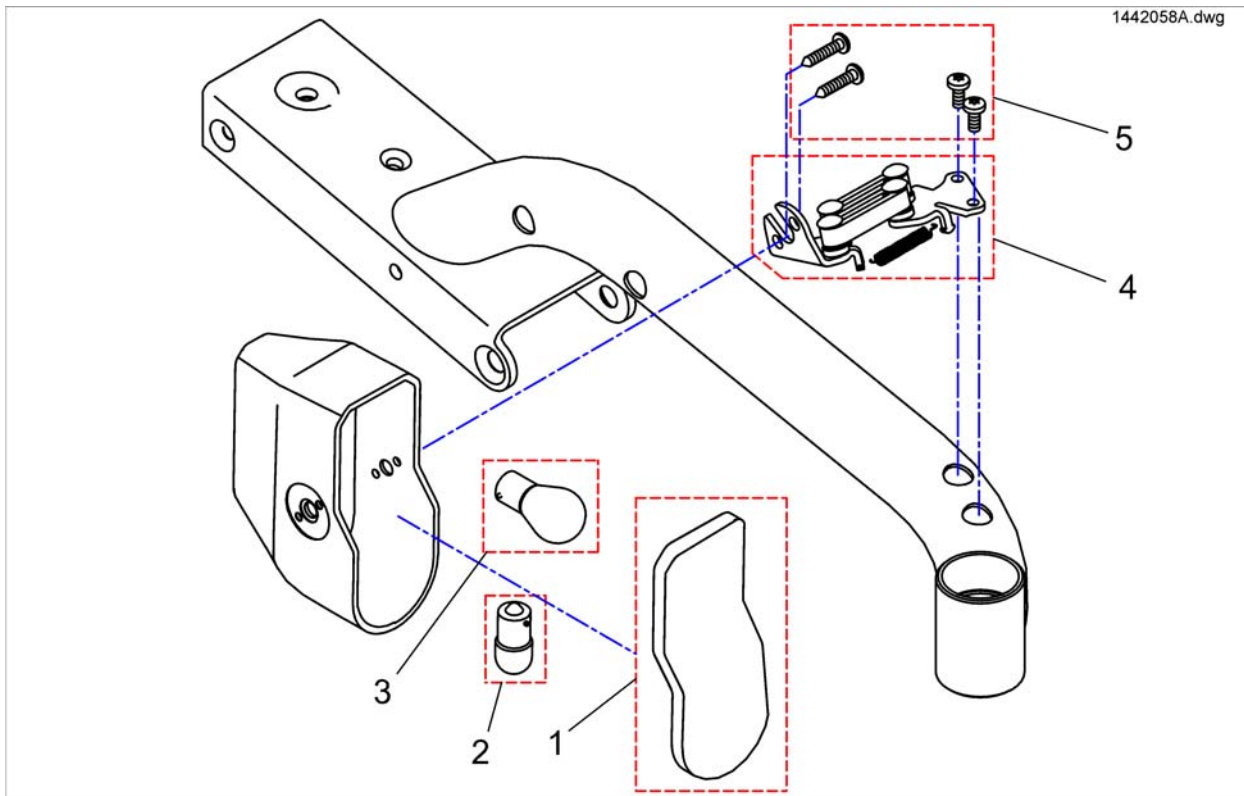
Licht / Light	Sitzwinkelverstellung Seatangleadjustment	Rückenverstellung Backrestadjustment	Sitzhöhenverstellung Seathightadjustment	Beinstützenverstellung Legrestadjustment	Art.-Nr.	Pos.
-	-	x	x	x	-	1
x	x	x	-	x	-	2
x	-	x	x	x	-	3

**Batteriekabel /
 Battery cable**

Licht / Light	mit Sicherung with Fuse	Art.-Nr.	Pos.
24V	-	-	4
24V	50A	-	5
24V (Shark)	-	-	6
24V (Shark)	40A	-	7

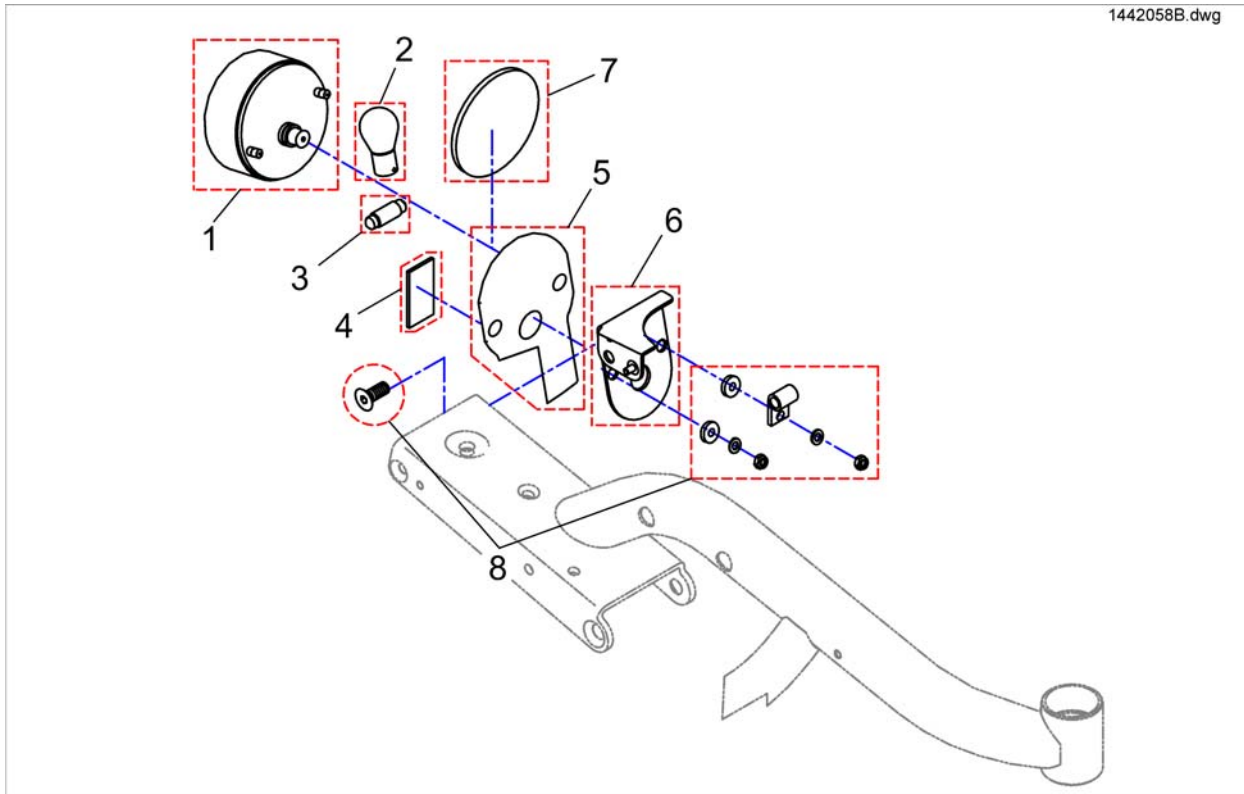
Pos.	Part number	Description	Valid from → until	Qty
1	1445554	Harness Shark For Electrical Adjustments		1
2	1444670	Harness ACS For Electrical Adjustments And Lightening		1
3	1488951	Wire Harness Shark - electrical adjustments & light		1
4	1444668	Battery Cable ACS		1
5	1444669	Strip Fuse Holder With Fuse 50A		1
6	1440758	Battery Cable Shark		1
7	1440759	Strip Fuse Holder With 40A Fuse Shark		1

Front Lights



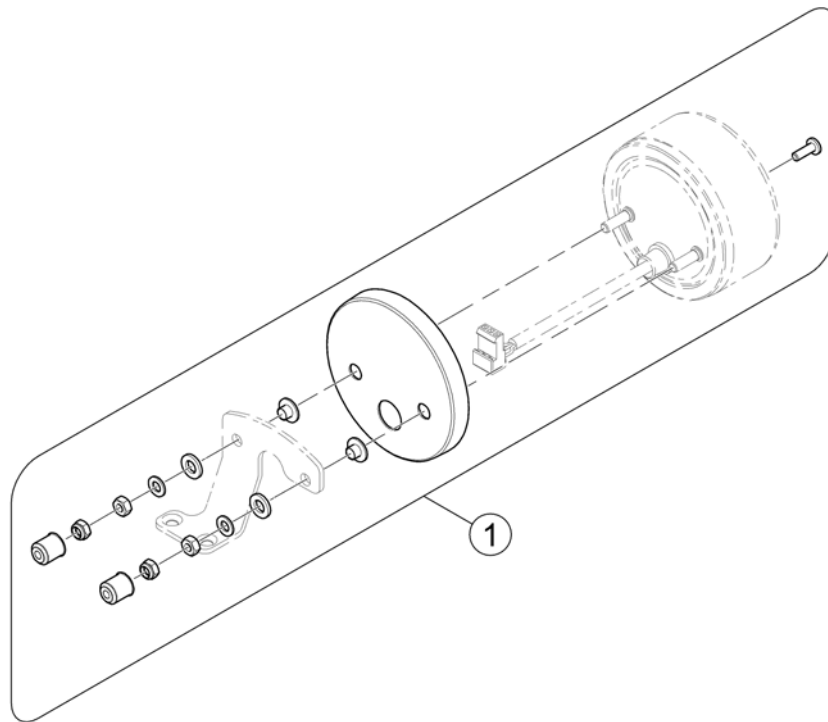
Pos.	Part number	Description	Valid from → until	Qty
-	1442735	Headlamp LH 24V cpl.		1
-	1442734	Headlight 24V, RH, cable 600mm, without bracket		1
1	1433737	Glass For Front Light		1
2	SPP31108	Light Bulb 24V/10W (BA15s), white (Front)		1
3	SP1419271	Light Bulb 24V/21W, yellow (Turn Signal front/rear)		1
4	1428082	Swivel Mechanism RH		1
4	1428081	Swivel Mechanism LH		1
5	1442685	Mounting Kit Front Light		1

Rear Light



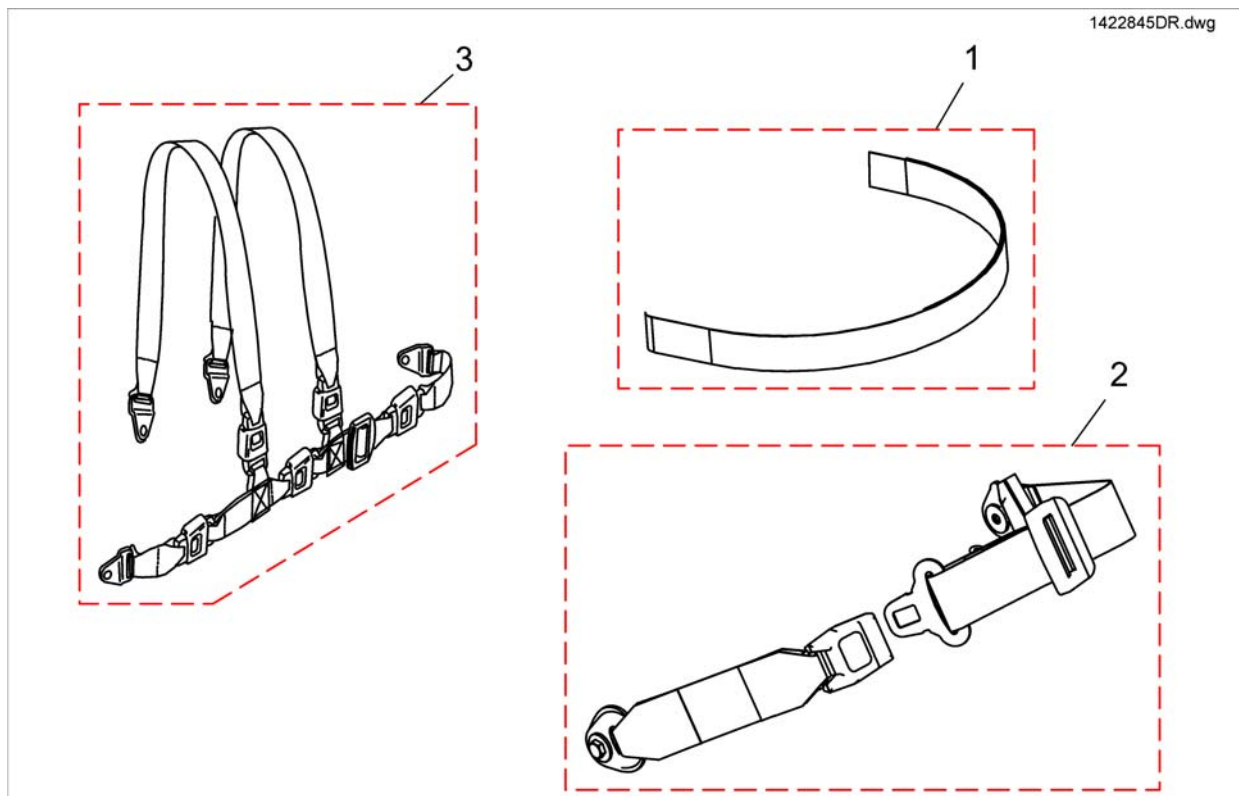
Pos.	Part number	Description	Valid from → until	Qty
!!!	-	Rear Light Protector Kit		0
a	-	Countersunk bolt DIN7991-M08x20-10.9 bk		1
b	-	Insulating Sheath		1
c	-	Cable Fixation Small		1
d	-	Washer DIN125-Ø5,3 bk		1
e	-	Hexagon nut DIN985-M05 bk		1
-	SP1441571	Light Support With Rearlight LH cpl.		1
-	SP1441565	Light Support With Rearlight RH cpl.		1
1	1442736	Rear Light 24V, cpl.		1
2	SP1419271	Light Bulb 24V/21W, yellow (Turn Signal front/rear)		1
3	P31191	Light Bulb 24V/5W, white (Rear)		1
4	5807542	Reflector angled, red		1
5	1441573-9005	Light Support Rear LH		1
5	1441569-9005	Light Support Rear RH		1
6	1441568	Fixing For Reflector		1
7	1419274	Reflector round, red		1
8	1442603	Tail Light Fixing Kit		1

1585420 (8)



Pos.	Part number	Description	Valid from → until	Qty
1	SP1581827	Rear Light Protector Exchange Kit		1

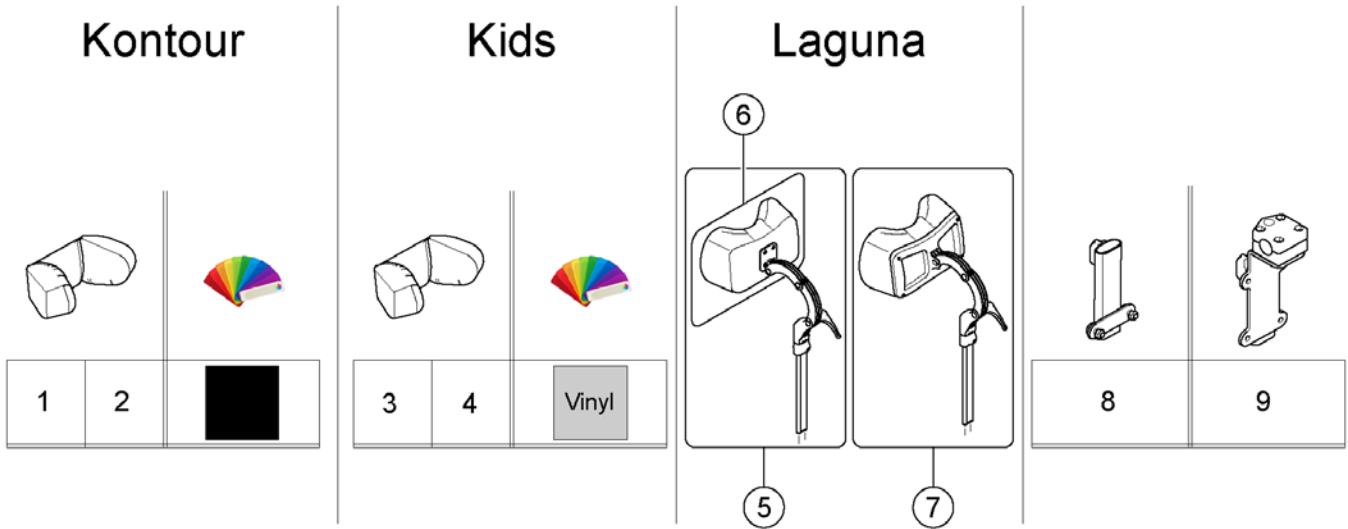
Belts



Pos.	Part number	Description	Valid from → until	Qty
1	1422869	Positioning Strap With Velcro cpl. for Junior-Seat		1
2	1422845	Lap Belt, cpl.		1
3	SP1422848	Holding Strap For Standard And Contour Seat H-Form cpl.		1

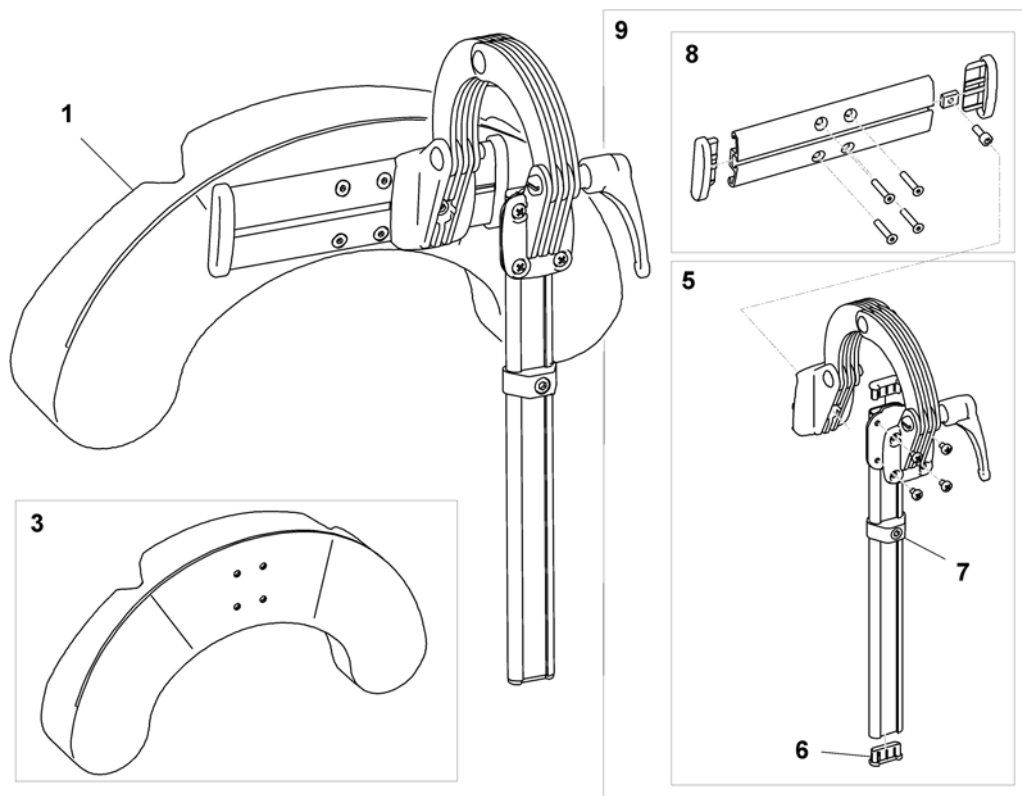
Headrest

14228650R 140



Pos.	Part number	Description	Valid from → until	Qty
1	SP1422925	Headrest, standard/contour seat, black, complete		1
2	SP1422865	HEADREST PAD STD./CONTOUR BLACK		1
3	SP5313308	Headrest Cushion Junior, Vinyl grey, complete		1
4	SP5313262	Headrest Cushion Junior, Vinyl grey, without bracket		1
5	-	No longer available - please refer to Replacement Info for which part is to be used instead. <i>1440900 obsolete - Replacement: SP1508848</i>	→ 2016-06-30	1
6	1440903	Headrest Pad Comfort Dartex	→ 2016-06-30	1
7	SP1508848	Neckrest, cpl. - Dartex TR26	2016-07-01 →	1
8	SP1422547	Headrest Bracket, Contour-/Flex Seat, complete		1
9	SP1422914	Head-/Neckrest Bracket, cpl.		1

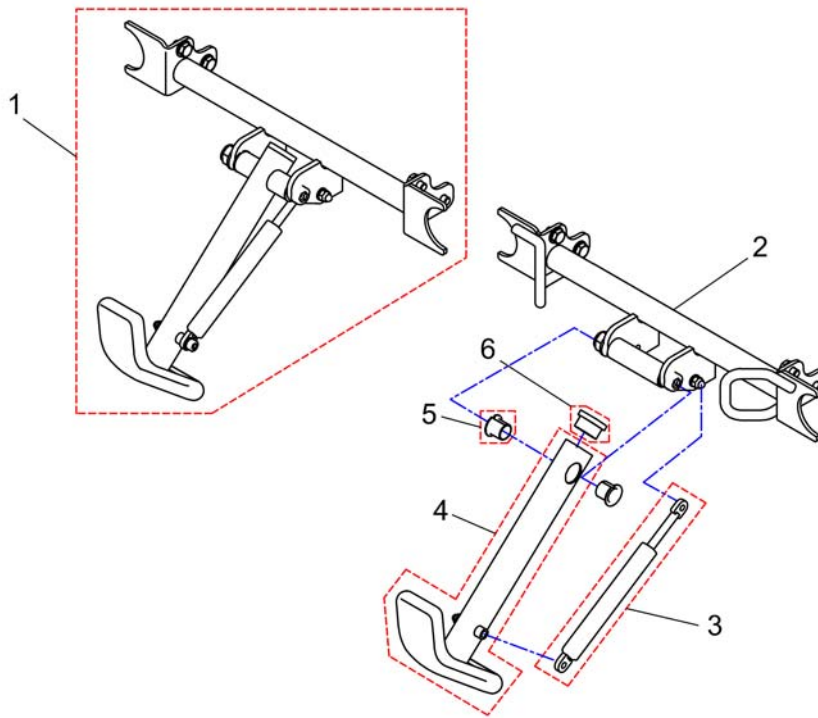
Headrest with cheek support



Pos.	Part number	Description	Valid from → until	Qty
1	1446560	HEAD/CHEEK SUPP. TR26 CPL. SIDEWISE ADJUSTABLE		1
1	SP1541658	Head/cheek support TR26 cpl. sidwise adjustable EasyAdapt		1
3	1444304	Cushion, cheek support		1
5	SP1529572	Headrest holder for EasyAdapt		1
6	5716497	Plug IPO "special"		1
7	SP1448661	stop neck and headrest		1
8	1445838	Rail head support		1
9	1485538	Headrest fixation kit		1

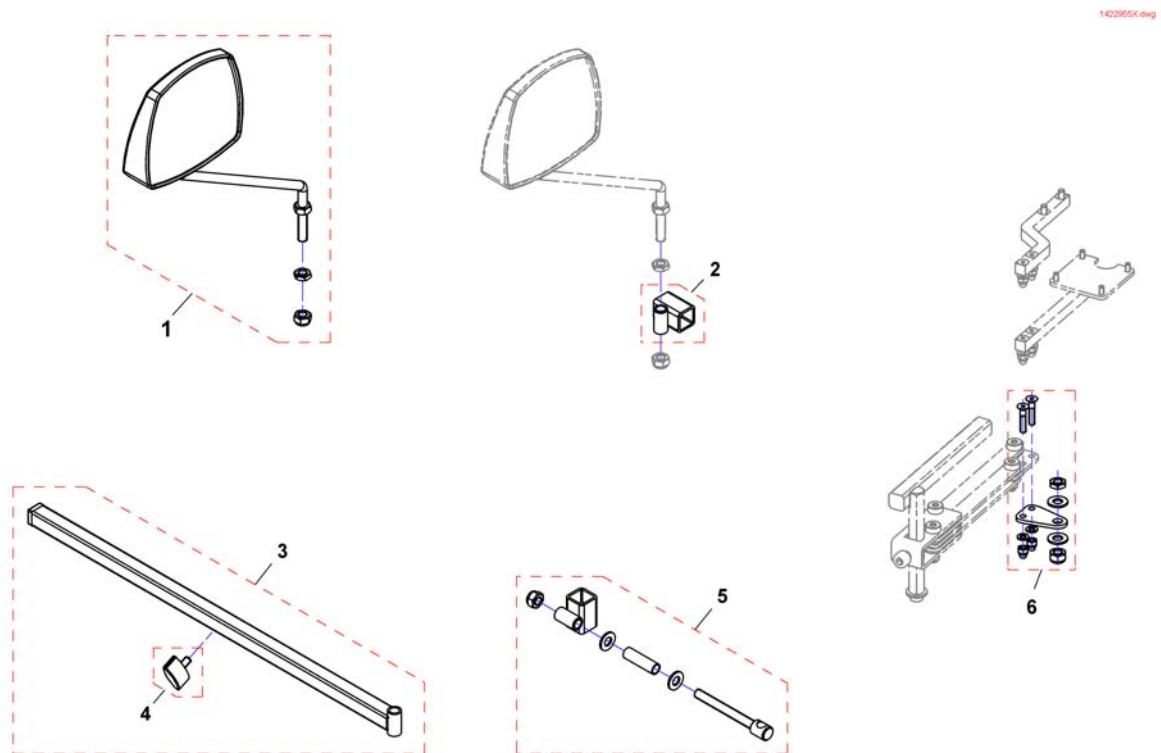
Kerb Climber

1418452.dwg



Pos.	Part number	Description	Valid from → until	Qty
	SP1434453	Curbsclimber With Front Fixation cpl.		1
1	SP1418452	Kerb Climber cpl.		1
2	1434454-9005	Kerbstone Raiser Receptacle With Fixing Brackets		1
3	N10499	Gas Spring		1
4	1433733	Kerb Climber With Shoe		1
5	N02201	Bush BB 1517 DU		1
6	L01039	Tube End Plug F 38 X 20		1

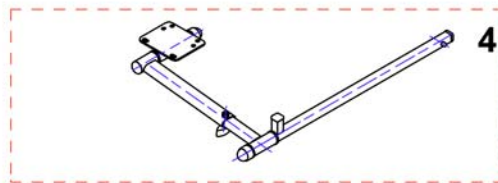
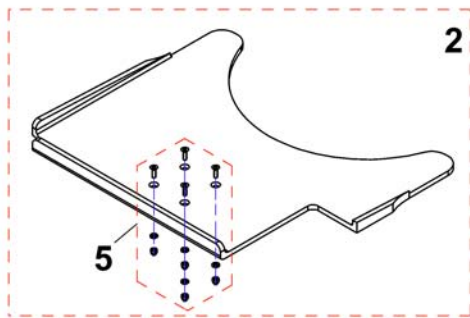
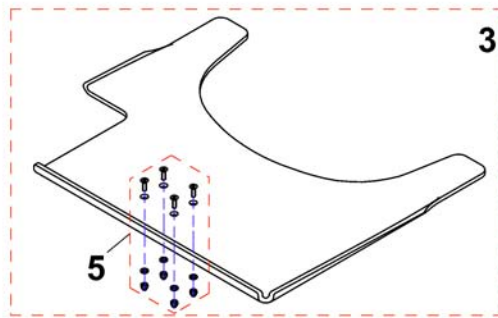
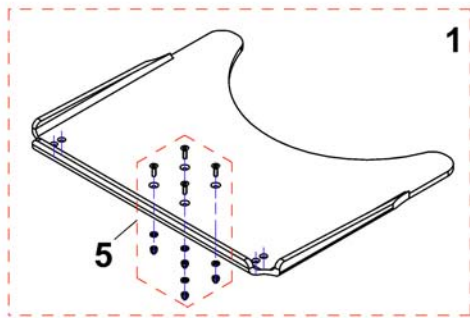
Rearview Mirror



Pos.	Part number	Description	Valid from → until	Qty
1	SP1422955	Rear Mirror		1
2	F276005.00	Mirror bracket		1
3	SP1423435	Rear Mirror Support Rail cpl.		1
4	L31001	Wing Screw M6X10		1
5	SP1422957	Mirror bracket		1
6	SP1527151	Adapter to mount mirror and remote at the same side		1

Trays

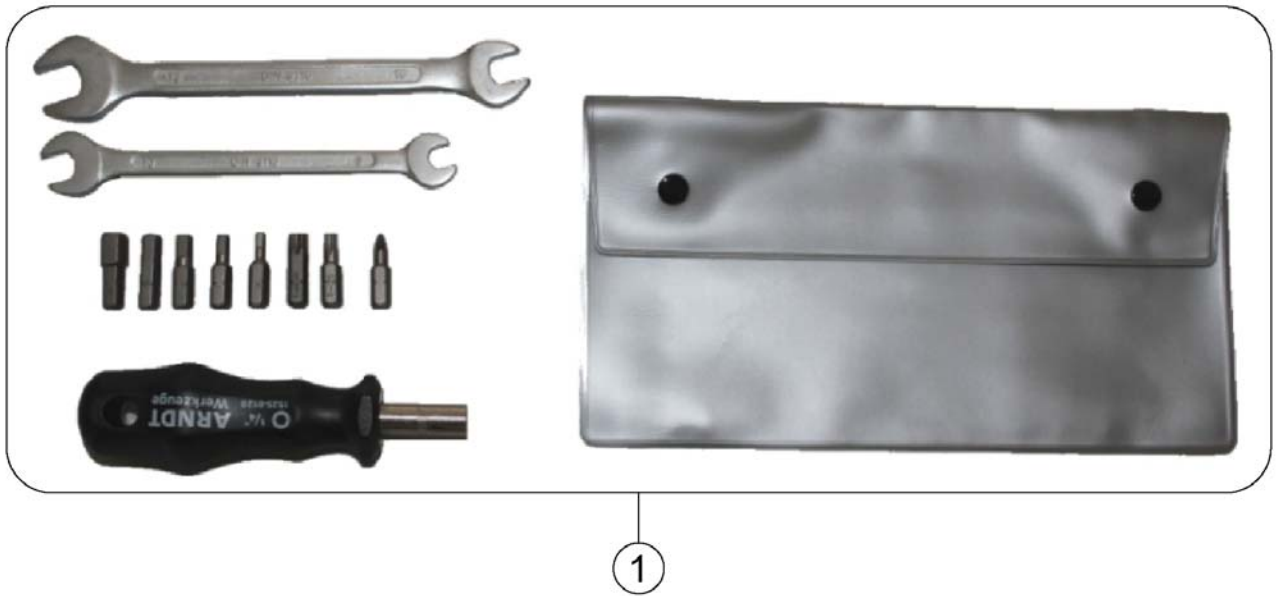
1535050X.dwg



Pos.	Part number	Description	Valid from → until	Qty
1	SP1535050	Tray table, 540mm, no Cutout		1
1	SP1535010	Tray table, 620mm, no Cutout		1
1	SP1535011	Tray table, 660mm, no Cutout		1
2	SP1535009	Tray table, 540mm, Cutout LH		1
2	SP1534974	Tray table, 620mm, Cutout LH		1
2	SP1534975	Tray table, 660mm, Cutout LH		1
3	SP1535051	Tray table, 540mm, Cutout RH		1
3	SP1535012	Tray table, 620mm, Cutout RH		1
3	SP1535049	Tray table, 660mm, Cutout RH		1
4	SPZ177011	Tray Support Fixing Kit cpl.SW 380/505 mm		1
5	Z177025	Fastening-Kit Tray		1

Toolkit

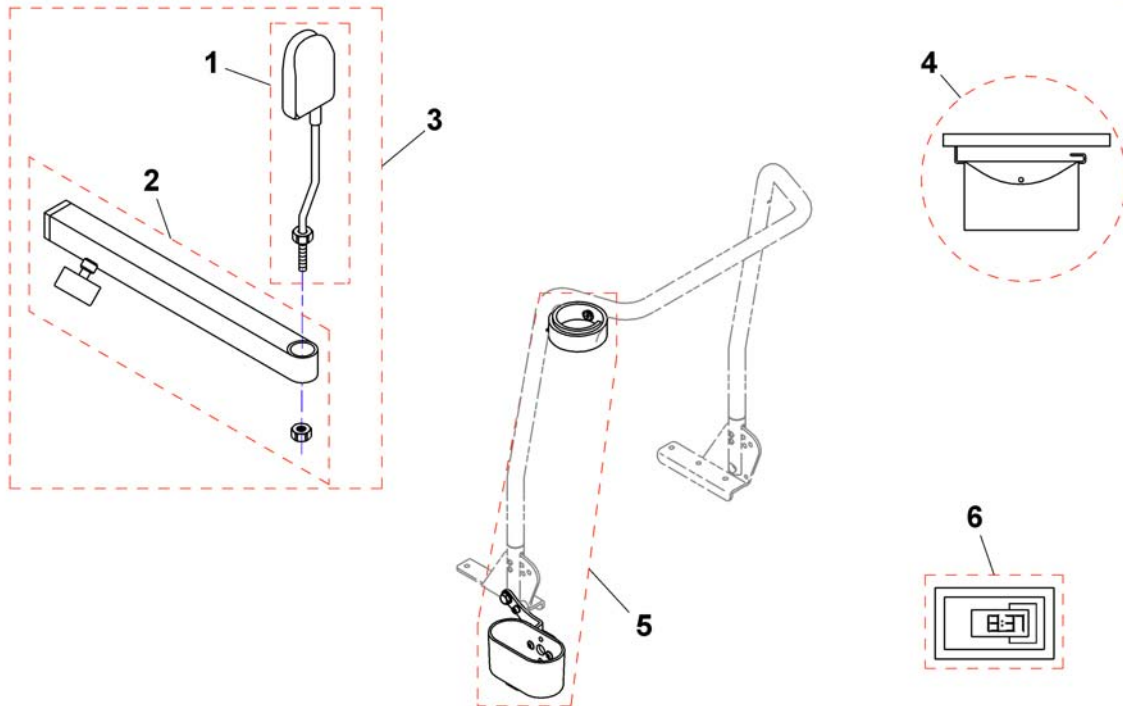
1567260.110



Pos.	Part number	Description	Valid from → until	Qty
1	SP1422868	Toolkit with bag		1

Options

1422955.dwg



Pos.	Part number	Description	Valid from → until	Qty
-	1449280	USW wizard dongle kit, EDL-USW, cpl.		1
4	SP1430417	Bag for side panel, cpl. LH		1
4	SP1430416	Bag for side panel, cpl. RH		1
5	SP1422844	Caneholder Std. cpl.		1
6	SP5370157	Hour counter		1
6	SP1492110	Cable for hour counter		1



Yes, you can.®



Belgium & Luxemburg:

Invacare nv, Autobaan 22, B-8210 Loppem
Tel: (32) (0)50 83 10 10, Fax: (32) (0)50 83 10 11
belgium@invacare.com / www.invacare.be

Denmark:

Invacare A/S, Sdr. Ringvej 37, DK-2605 Brøndby
Tel: (45) (0)36 90 00 00, Fax: (45) (0)36 90 00 01
denmark@invacare.com / www.invacare.dk

Deutschland:

Invacare Aquatec GmbH, Alemannenstraße 10, D-88316 Isny
Tel: (49) (0)75 62 7 00 0, Fax: (49) (0)75 62 7 00 66
info@invacare-aquatec.com / www.invacare-aquatec.de

European Distributor Organisation:

Invacare, Kleiststraße 49, D-32457 Porta Westfalica
Tel: (49) (0)57 31 754 540, Fax: (49) (0)57 31 754 541
edo@invacare.com / www.invacare.eu.com

España:

Invacare SA, c/Areny s/n, Polígon Industrial de Celrà, E-17460 Celrà (Girona)
Tel: (34) (0)972 49 32 00, Fax: (34) (0)972 49 32 20
contactsp@invacare.com / www.invacare.es

France:

Invacare Poirier SAS, Route de St Roch, F-37230 Fondettes
Tel: (33) (0)2 47 62 64 66, Fax: (33) (0)2 47 42 12 24
contactfr@invacare.com / www.invacare.fr

Ireland:

Invacare Ireland Ltd, Unit 5 Seatown Business Campus, Seatown Road, Swords, County Dublin - Ireland
Tel: (353) 1 810 7084, Fax: (353) 1 810 7085
ireland@invacare.com / www.invacare.ie

Italia:

Invacare Mecc San s.r.l., Via dei Pini 62, I-36016 Thiene (VI)
Tel: (39) 0445 38 00 59, Fax: (39) 0445 38 00 34
italia@invacare.com / www.invacare.it

Nederland:

Invacare BV, Celsiusstraat 46, NL-6716 BZ Ede
Tel: (31) (0)318 695 757, Fax: (31) (0)318 695 758
nederland@invacare.com, csede@invacare.com / www.invacare.nl

Norge:

Invacare AS, Grensesvingen 9, Postboks 6230, Etterstad, N-0603 Oslo
Tel: (47) (0)22 57 95 00, Fax: (47) (0)22 57 95 01
norway@invacare.com, island@invacare.com / www.invacare.no

Österreich:

Invacare Austria GmbH, Herzog Odilostrasse 101, A-5310 Mondsee
Tel: (43) 6232 5535 0, Fax: (43) 6232 5535 4
info-austria@invacare.com / www.invacare.at

Portugal:

Invacare Lda, Rua Estrada Velha, 949, P-4465-784 Leça do Balio
Tel: (351) (0)225 1059 46/47, Fax: (351) (0)225 1057 39
portugal@invacare.com / www.invacare.pt

Sverige & Suomi:

Invacare AB, Fagerstagatan 9, S-163 91 Spånå
Tel: (46) (0)8 761 70 90, Fax: (46) (0)8 761 81 08
sweden@invacare.com, finland@invacare.com / www.invacare.se

Switzerland:

Invacare AG, Benkenstrasse 260, CH-4108 Witterswil
Tel: (41) (0)61 487 70 80, Fax: (41) (0)61 487 70 81
switzerland@invacare.com / www.invacare.ch

United Kingdom:

Invacare Limited, Pencoed Technology Park, Pencoed, Bridgend CF35 5AQ
Switchboard Tel: (44) (0)1656 776200, Fax: (44) (0)1656 776201
Customer services Tel: (44) (0)1656 776222, Fax: (44) (0)1656 776220
uk@invacare.com / www.invacare.co.uk