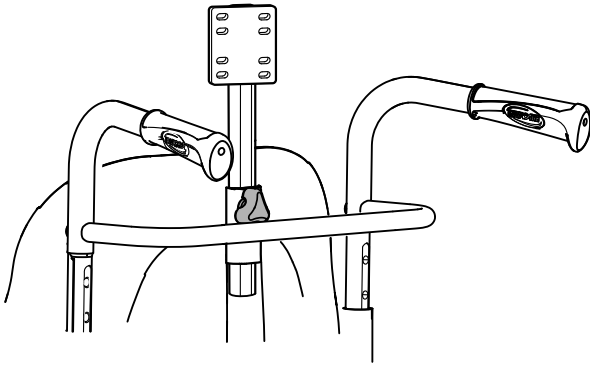


# Rea® Dahlia® 30 / 45, Rea® Azalea®, Rea® Clematis®

en **Universal neck- headrest holder**  
Service Manual



en

## I General

### I.1 About this manual

This manual is an attachment to the user manual of the related product and it belongs to a special functionality. In order to ensure safety when using the product, read the user manual of the related product carefully and follow the safety instructions.

In this user manual, warnings are indicated by symbols. The warning symbols are accompanied by a heading that indicates the severity of the danger.



#### CAUTION

Indicates a hazardous situation that could result in minor or slight injury if it is not avoided.



#### IMPORTANT

Indicates a hazardous situation that could result in damage to property if it is not avoided.

### I.2 Intended use

This product is intended to simplify the mounting of specially adapted head- and neckrests. This is not a component which belongs to Invacare's CE marked assortment. The intention is to use this component only for custom made adaptations, i.e. "custom made devices" as a specially made medical technical product according to the European Directive 93/42/EEC concerning medical devices.



#### Important

– This product should only be used by dealers and technical aid centers.

## 2 Safety

### 2.1 General information



#### Important

– Make sure to read the complete user manuals with the below mentioned art.no's for information about intended use and other specifications when doing custom made adaptations.

Rea® Azalea®	1488727
Rea® Clematis®	1439960
Rea® Dahlia® 30 / 45	1572307



The user manuals can be found on Invacare's website.

### 2.2 Restrictions for transport in vehicle



#### WARNING!

##### Risk of injury

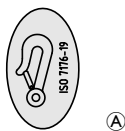
– The neckrest is a part of the safety when transporting the wheelchair with the user in a vehicle. All tests has been performed with Invacare standard head- and neckrest and does not apply for adapted components.  
– A wheelchair equipped with the universal neck-headrest holder can under no circumstances be used as a seat in a vehicle during transport.

DEALER: Keep this manual. The procedures in this manual MUST be performed by a qualified technician.

**rea**®

**INVACARE**

Yes, you can.®

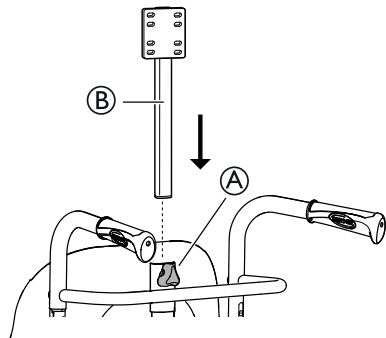


**i** Remove the “tie-down points” stickers **A** in the front and rear of the wheelchair to avoid misuse.

## 3 Components

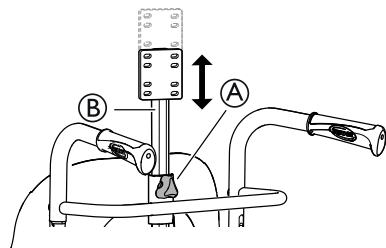
### 3.1 Universal neck- headrest attachment

#### Mounting the universal neck- headrest holder



1. Loosen the hand wheel **A**.
2. Mount the neckrest holder **B** in the neckrest attachment on the backrest or on the brace of the push handle.
3. Re-tighten the hand wheel **A**.

#### Height adjustment



1. Loosen the hand wheel **A**.
2. Adjust the height of the neckrest holder **B** to the desired position.
3. Re-tighten the hand wheel **A**.

#### Final check



#### Important

– After any adjustment of the wheelchair, you must always inspect the product according to the possible function described in the user manual. If any function described in the user manual does not work as intended, do not use the product.



**United Kingdom:**

Invacare Limited  
Pencoed Technology Park,  
Pencoed  
Bridgend CF35 5AQ  
Tel: (44) (0) 1656 776 222  
Fax: (44) (0) 1656 776 220  
uk@invacare.com  
www.invacare.co.uk

**Ireland:**

Invacare Ireland Ltd,  
Unit 5 Seatown Business Campus  
Seatown Road, Swords, County  
Dublin  
Tel : (353) 1 810 7084  
Fax: (353) 1 810 7085  
ireland@invacare.com  
www.invacare.ie

All rights reserved. Republication, duplication or modification in whole or in part is prohibited without prior written permission from Invacare. Trademarks are identified by ™ and ®. All trademarks are owned by or licensed to Invacare Corporation or its subsidiaries unless otherwise noted.

**Manufacturer:**

Invacare Rea AB  
Växjövägen 303  
SE-343 71 Diö  
Sweden

1581494-A 2015-03-01



**Making Life's Experiences Possible™**

**rea**



**Yes, you can.**