

AQUATEC®

Ocean VIP



**Modular tilt in space shower
chair commode solutions**





Aquatec **Ocean VIP**

- Stainless steel corrosion free frame.
- Seat tilt can be individually adjusted (tilt angle 0° - 35°).
- Stainless steel gas strut.
- Extremely stable even at maximum tilt angle.
- Seat height adjustable in 3 steps, no tools required.
- Very comfortable, ergonomically contoured seat.
- Machine-washable tension adjustable backrest can be adjusted for positioning of the spine.

The **Ocean VIP** is available as follows:

- Standard version with castors, toilet pan holder and soft seat, insert, pan and lid. 150kg SWL
Product code: 1517060
- **Ocean VIP XL** (more space between the armrests) with castors, soft seat with insert, pan and lid. 150kg SWL
Product code: 1517061
- The **Ocean VIP** can be retrofitted with XL armrests for additional width.

Standard features and options



Seat tilt

Tilt angle 0° - 35°.



Headrest

Height and depth-adjustable headrests included. Ergonomic headrest also available.



Directional lock

Easy to operate brakes on 3 castors, 1 castor with directional lock to help push the chair in a straight line.



Adjustable seat height

Adjustable in 3 steps, no tools required. 510-610mm.



Standard soft seat with key shaped cut out for hygiene access and insert (supplied as standard on all models).



Height and angle adjustable swing away footrests with textured footplates and heel loops.



Tension adjustable back can be adjusted to support posture.



Toilet pan with handle and cover (standard on all models).

Aquatec **Ocean Dual VIP**



- Seat tilt can be individually adjusted (tilt angle 0° - 35°).
- Two additional stainless steel gas struts to lower the backrest (recline angle 10° - 50°).
- Second operating lever with safety lock to lower the backrest.
- Particularly stable even at maximum tilt angle, anti-tippers included.
- Machine-washable tension adjustable backrest can be adjusted for the positioning of the spine.

The **Ocean Dual VIP** is available as follows:

- Standard version with castors, soft seat with insert, pan and lid.
Product code: 1517062
- The **Ocean VIP** can be retrofitted with reclining backrest to create the **Ocean Dual VIP**. The **Ocean VIP** and **Ocean Dual VIP** can be fitted with anti-tippers.
- The **Ocean Dual VIP** can also be retrofitted with XL armrests for additional width (NB. Weight limit is 150kg across all **Ocean VIP** and **Ocean Dual VIP** models).

Standard features and options



Fully upright.



Seat tilt 0°, backrest recline 25°.



Full seat tilt 35°, backrest recline 50°.



Anti-tippers included.



Headrest

Height and depth-adjustable headrest included.



Adjustable seat height

Adjustable in 3 steps, no tools required. 510-610mm.



Tension adjustable back can be adjusted to the client.



Toilet pan with handle and cover (standard on all models).

Aquatec **Ocean Accessories**



Soft seat

With key shaped cut out for hygiene access.

All models.



Soft seat insert

For soft seat with key-shaped cut out when commode function is not required.

All models.



Small soft seat

With small opening suitable for smaller and younger adults.

All models.



Splash guard / pommel

Simply snap-on, suitable for soft seat, with key-shaped cut out.

All models.



Universal soft seat

Closed seat surface. Smooth and comfortable.

All models.



Ergonomic soft seat

Allows immersion into the seat for pelvic stability, postural support and pressure reduction.

All models except Ocean E-VIP.



Variable soft seat

A 4-way position seat allows hygiene access from front, back and side.

All models except Ocean E-VIP.



Ocean skirt

Provides a protective barrier between the commode aperture and automatic toilet systems.



Soft backrest cushion

For additional stability and positioning. Will benefit small individuals and young adults.

All models except Ocean Dual VIP.



Wider XL armrests

Increases the distance between the armrests by 40 mm on each side. Retrofit kit for **Ocean VIP, Ocean Dual VIP** and **Ocean E-Vip**.

Does not increase weight limit of chair.



Armrest locking device

Locks armrest into upright or lowered position.

All models.

Aquatec **Ocean Accessories**



Safety belts

To ensure necessary safety during activities. Machine-washable.

All models.



Safety bar

For additional safety. Client can grip bar for additional re-assurance.

All models.



Lateral support

This support reduces the backrest width and can help position the trunk.

All models.



Calf and amputee support

Padded, both height and angle adjustable.

All models.



Calf support with foot support

Increased support helps distribute load to avoid pressure on lower limbs.

All models.



Shortened leg rests

Can be used to support abnormal posture or smaller/young adults.

Can be used across all models.



Ergonomic head rest holder

Allows various adjustment positions to manage the clients head position.

All tilt-in-space models.



Head/Neckrest

For ergonomic head rest holder. Offers exceptional management of head position. (Neckrest shown)

All tilt-in-space models.



Front anti tipper

For additional safety.

All tilt-in-space models.



Toilet pan

With handle and cover.

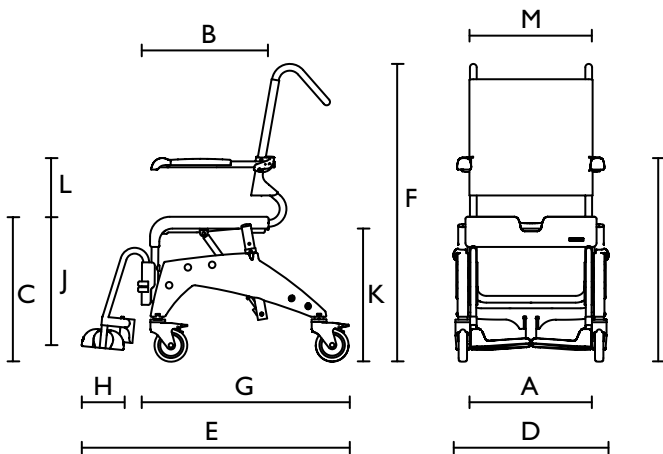
All models.

Technical data

For more comprehensive pre-sales information about this product, including the product's user manual, please visit www.invacare.co.uk.

Order numbers	Aquatec Ocean VIP with tilt	Aquatec Ocean VIP XL with tilt	Aquatec Ocean Dual VIP with tilt & recline
Shower commode chair with castors, toilet pan holder and soft seat	1517060	1517061	1517062
Dimensions			
Seat width	500 mm (A)	500 mm (A)	500 mm (A)
Seat depth	450 mm (B)	450 mm (B)	450 mm (B)
Seat height	510 - 610 mm (C)	510 - 610 mm (C)	510 - 610 mm (C)
Total width	595 mm (D)	625 mm (D)	625 mm (D)
Total depth	1060 mm (E)	1060 mm (E)	1060 mm (E)
Total height without adjustable headrest	1085 - 1185 mm (F)	1085 - 1185 mm (F)	1085 - 1185 mm (F)
Depth without footrests	845 mm (G)	845 mm (G)	845 mm (G)
Footplate depth	160 mm (H)	160 mm (H)	160 mm (H)
Height to armrest	720 - 860 mm (I)	720 - 860 mm (I)	720 - 860 mm (I)
Height, footrests to seat	345 - 465 mm (J)	345 - 465 mm (J)	345 - 465 mm (J)
Height, ground to lower seat edge: with holder for toilet pan	420 - 520 mm (K)	420 - 520 mm (K)	420 - 520 mm (K)
without holder for toilet pan	440 - 540 mm (K)	440 - 540 mm (K)	440 - 540 mm (K)
Height, seat to armrest	215 / 245 mm (L)	215 / 245 mm (L)	215 / 245 mm (L)
Width between the armrests	475 mm	555 mm	475 mm
Width, cut out in seat plate	205 mm	205 mm	205 mm
Depth, cut out in seat plate	320 mm	320 mm	320 mm
Tilt angle seat	0° - 35°	0° - 35°	0° - 35°
Tilt angle back	-	-	10° - 50°
Graduation, height adjustment	50 mm	50 mm	50 mm
Ø Castors	5" (127 mm)	5" (127 mm)	5" (127 mm)
More info			
Weight	23.5 kg	23.5 kg	28.3 kg
Load capacity	150 kg	150 kg	150 kg
Colour	White	White	White

Heel loops are included in the scope of delivery. The toilet pan holder and toilet pan are not.



The *Aquatec Ocean family* is part of the Safe Patient Handling range.

Aquatec Ocean E-VIP also available from the **Ocean Range**
(Ocean EVip - UK - 03/2018 -1590957)



safepatienthandling

Invacare Limited
Pencoed Technology Park - Pencoed
Bridgend CF35 5AQ - United Kingdom
Tel: +44 1656 776 222
Fax: +44 1656 776 220
E-mail: uk@invacare.com
Sales Order E-mail: ordersuk@invacare.com
www.invacare.co.uk

Invacare Ireland Ltd
Unit 5 - Seatown Business Campus
Seatown Road - SWORDS - County Dublin - Ireland
Tel. +353 1 8107084
Fax +353 1 8107085
Email: Ireland@invacare.com
www.invacare.ie

