



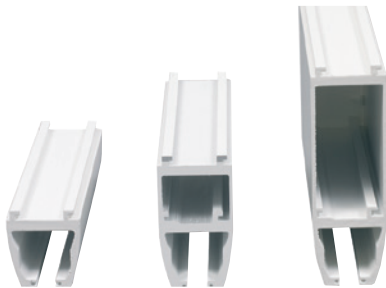
Invacare[®] | ***EC-Track***[™]

A modern tracking system
with flexible options



The *Invacare EC Track* system completes the versatility of the *Invacare Robin* overhead hoist. To meet varied transfer needs, we offer a wide range of tracking options for different kinds of environments and types of installation. The **EC Track** has a discrete modern design with a flush fit and long span, ensuring that the complexity of the various transfer needs are met. **EC Track** is constructed from lightweight but robust aluminium material and is exceptionally easy to install.

Features and options



Invacare EC Track

Is available in 3 different profiles, small, medium and large, depending on the span required.



Curves

Are available in 30, 45, 60 and 90 degrees as standard.
Only S-Profile.



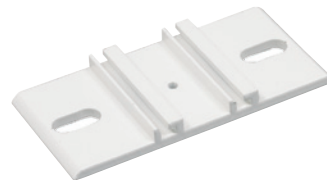
The Invacare Robin trolley

Designed to fit the Invacare E C Track. **Robin trolleys are also available to fit other manufacturer's tracks.**



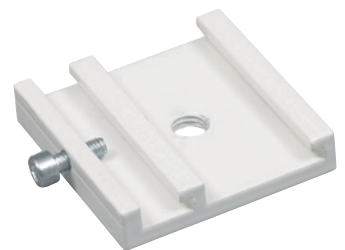
Invacare Robin hoist unit

Connects to the track, without the use of tools.



Standard bracket

Available for all track options.



The quick bracket

Single point installation options.



Wall bracket

An alternative to ceiling mounting.



Wall support

To support the wall-mounted track.



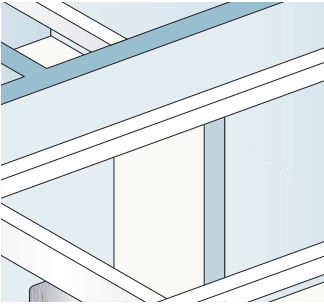
Traverse trolley



Transit coupling

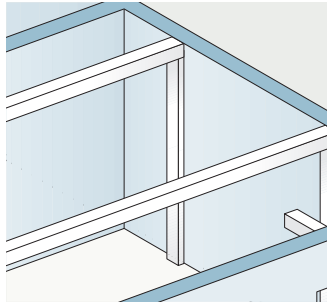
To transfer from one room to another, using only one **Robin** motor.

Features and options



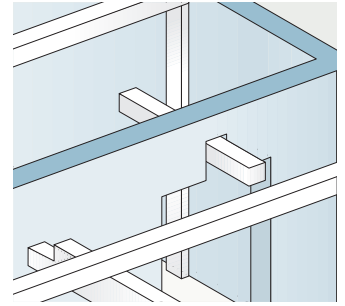
Room to room transfer

With two *Invacare Robin* motors and a room-to-room trolley, it is possible to transfer the user from room to room.



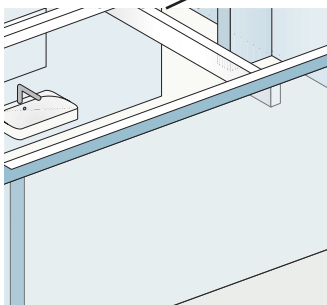
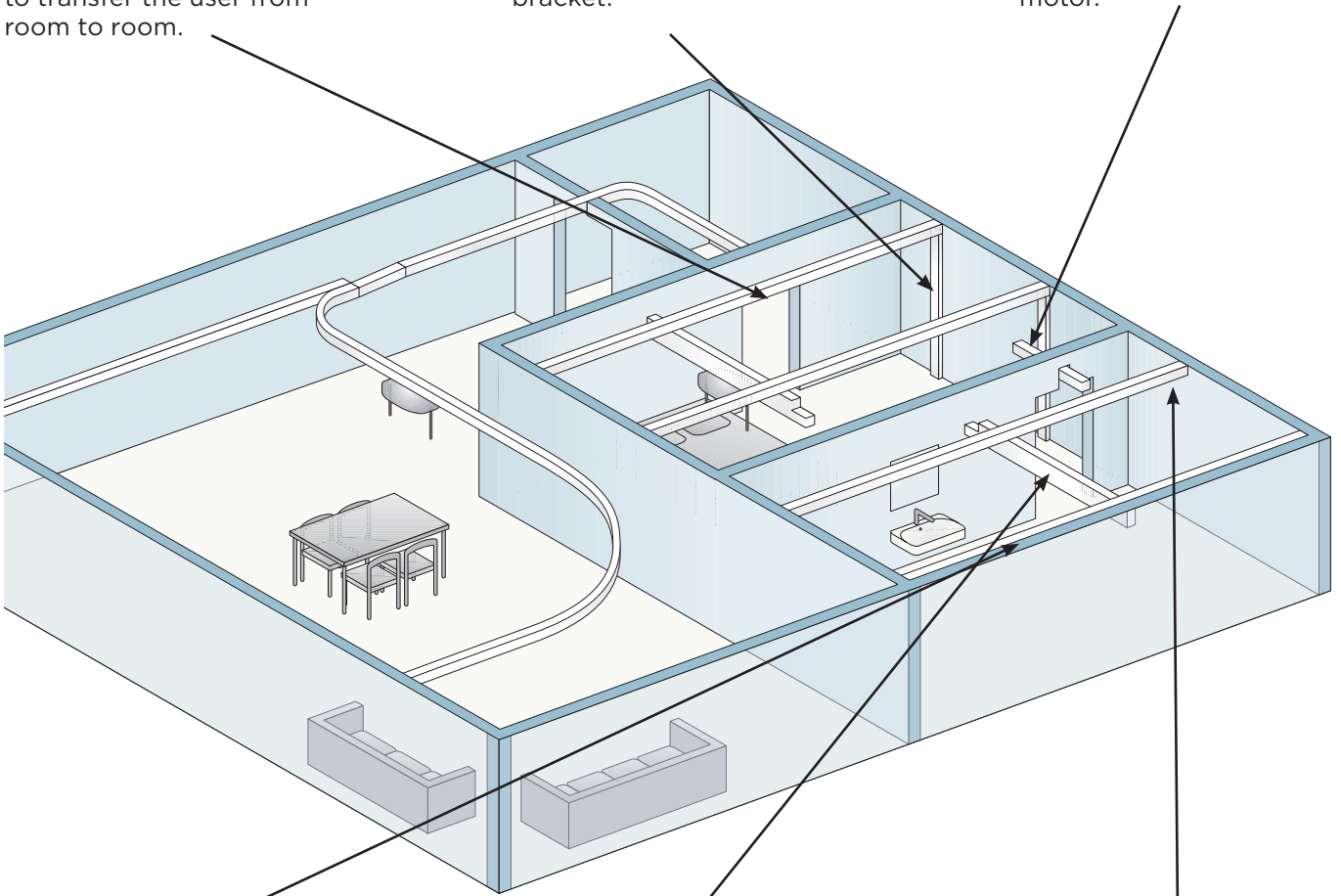
Wall support

The tracks can be wall mounted on walls that will not support a single bracket.



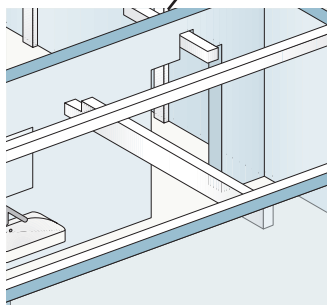
Transit coupling

To transfer the user from one room to another, using only one *Robin* motor.



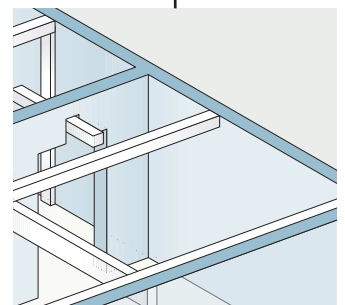
Wall bracket

To install the track along the wall.



Traverse (XY) systems

Permits an unlimited number of lifting locations.



Wall bracket

To install the track in a free span. The tracks are mounted to the wall at the ends.



EC - Gantry

Ideal for immediate needs following hospital discharge, short term use or where an installation is not possible. Tracks are on “legs”. There is no need for installing tracks in walls or a ceiling.

EC - Gantry is very easy to install and dismantle. Once mounted it is very easy to raise and lower the height of the gantry without using tools.

The EC - Gantry is available in two versions:

1. With castors - height adjustable from 195 - 230 cm
2. Without castors - height adjustable from 216 - 251 cm



EC -Gantry Traverse

Room covering tracks are on “legs”. There is no need for installing tracks in wall or ceiling.

EC - Gantry Traverse is very easy to install and dismantle. Once mounted it is very easy to raise and lower the height of the gantry without using tools.

EC- Gantry is height adjustable from 218 to 253 cm.

Technical data

For more comprehensive pre-sales information about this product, including the product’s user manual, please visit www.invacare.co.uk.

Max. user weight



Invacare **EC-Track**

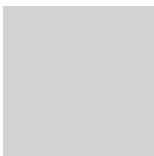
200 kg



Frame colours

White

Aluminium



Please note colours may vary slightly from those displayed above.

Warranty

3 year warranty.

The *Invacare EC Track* is part of the Safe Patent Handling range.

T: +44 1656 776222
 uk@invacare.com
www.invacare.co.uk
www.invacare.ie

Invacare UK & Ireland
 Unit 4 Pencoed Technology
 Park
 Bridgend CF35 5AQ

