

Urgent Field Safety Notice

Küschall Champion – Front fork fixation screws

Date: 24 January 2022

Ref: FSN_Küschall_Screw_100_1132_2021_12

Important information

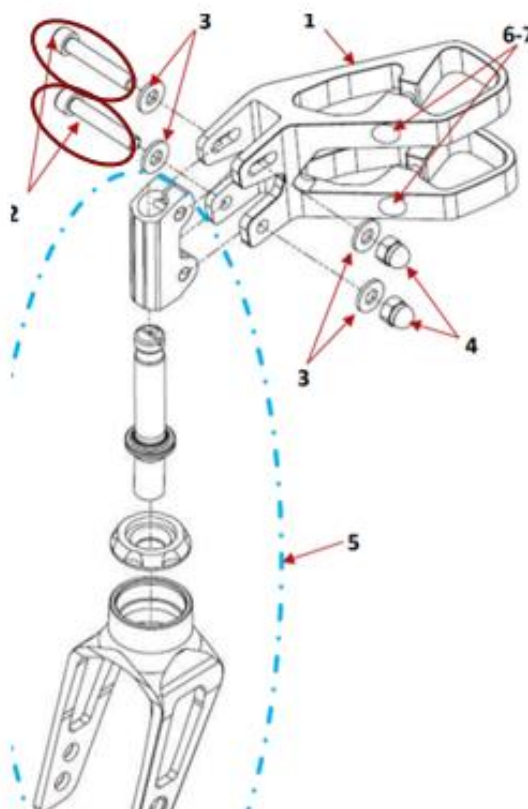
This letter is to provide you with important information concerning a field notice involving the Invacare Küschall Champion wheelchair.

Issue description

Invacare has identified that a limited quantity of screws M6x35 used in the front fork support fixation assembled on some Küschall Champion wheelchairs manufactured between the 08th and the 09th December 2021 are not within the specification.

The durability of the front fork support assembly screws involved (as per image below) are impacted with a possible adverse effect on the resistance of the front fork support fixation that can break up prematurely during use.

Champion front fork support assembly:



In UK there was just one device found to be potentially affected from this issue (Champion SN 21L05004024). Therefore, Invacare has decided to perform an inspection on the Kuschall Champion wheelchair to ensure that the M6x35 screws used are within the specification.

Invacare France Operations has quarantined the batch of non-conform screws and is delivering Kuschall Champion wheelchairs with a secured batch of screws since the 20th December 2021.

Why are you being contacted?

According to our records, you received the affected Kuschall Champion wheelchair, manufactured between the 08th and 09th of December 2021. (Champion SN 21L05004024).

What actions are required?

1. Invacare UK have Identified the affected device according to the provided serial number list.
2. The affected customer will need to acknowledge the receipt of this FSN letter.
3. Invacare UK will contact the affected customer and arrange for affected device to be inspected.
4. Invacare UK will record executed activities and report results back to Invacare France Operations.

Please ensure that the information in this notice is made available to all relevant personnel within your organization and / or customer base, and that awareness is maintained for an appropriate period.

Invacare confirms that the relevant Competent Authorities have been informed of this
Field Safety Notice.

Thank you for your immediate attention to this important matter.

We appreciate your cooperation.

If you have any questions relating to this Field Safety Notice, or should you require any additional information, please contact us at:

Invacare Ltd

Tel: 01656 776333

Email: serviceuk@invacare.com