

Urgent Field Safety Notice

Invacare Birdie Lifter – alert for the correct assembly of the Pipe pin that holds the arm’s actuator

Date: 13.09.2016

Invacare Ref: 462674

MHRA Ref: 2016/008/031/291/012

Important Safety Information:

In the interests of the safety of our customers, we would like to bring to your attention to the correct assembly of the D-Clip that connects the actuator to the Invacare Birdie lifter’s arm.

As a result of some vigilance cases where the actuator’s D-Clip becomes damaged and the lifter arm falls down, we become aware that if the D-Clip is always placed backwards and pointing down towards the actuator, it can start to become damaged after a number of cycles – picture below. However,

- The bending (damage) of D-Clip only happens if it is touching the actuator backwards and at its maximum height;
- After the first cycle, the D-Clip is not touching the actuator anymore (unless manually pushed);
- The complete Clevis Pin doesn’t detach immediately from the actuator, when the D-Clip becomes damaged - the pin stays in the arm’s plates that hold the actuator;
- Only over 140Kg it starts to bend severely.



This affects all range of Invacare Birdie lifters manufactured and still in use in the market.

The actuator doesn't arrive assembled at the Customer. The actuator is assembled at Invacare with a screw on the bottom part, and needs to be assembled by the User in the upper part with the D-Clip.

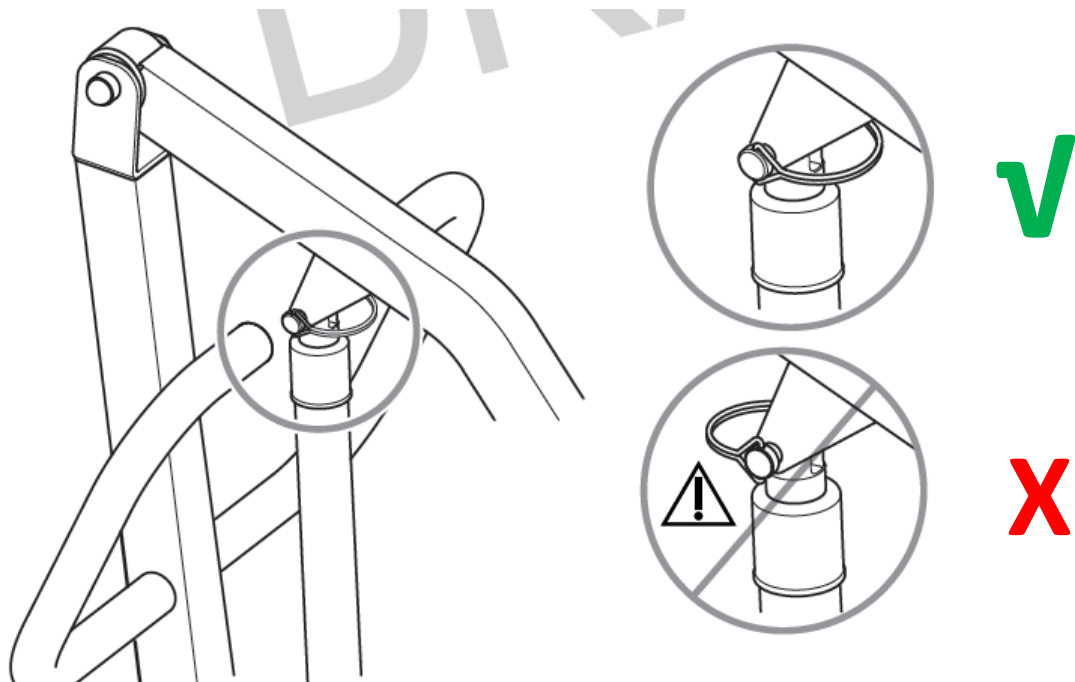
Birdie User Manual is showing a picture that can be misunderstood, so a revision was made and User manual was improved.

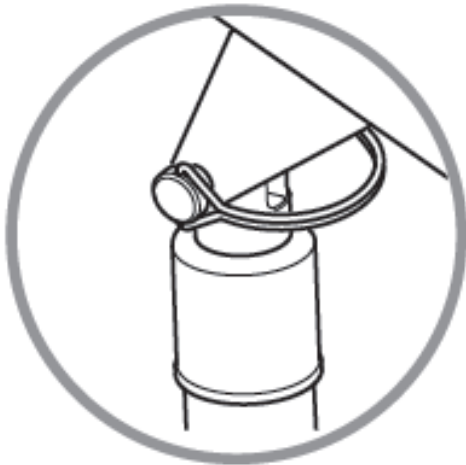
The updated User Manual can be downloaded from your local Invacare website.

An Instruction Leaflet (Item I603064) showing the correct assembly of the D-Clip, is attached at this Field Safety Notice. Please keep this information always together with Invacare Birdie lifter's User Manual.

Once you receive this information, please check the following on each Invacare Birdie lifter:

- The actual state of the D-Clip
- The actual position of the D-Clip in the lifter (if mounted)
 - If it is in the correct position shown below in picture 1, there is no need to change it
 - **Keep the Instruction Leaflet** attached to the existing User manual
 - If it is assembled in the wrong position shown below in picture 2,
 - Remove the D-Clip and reassemble it as shown in picture 1
 - **Keep the Instruction Leaflet** attached to the existing User manual





PICTURE 1



PICTURE 2

Please ensure that the information in this notice is made available to all relevant personnel within your organization and / or customer base, and that awareness is maintained for an appropriate period.

Invacare confirms that the relevant Competent Authorities have been informed of this Field Safety Notice.

If you have any questions relating to this bulletin, or should you require any additional information, please contact;

Technical Services Department

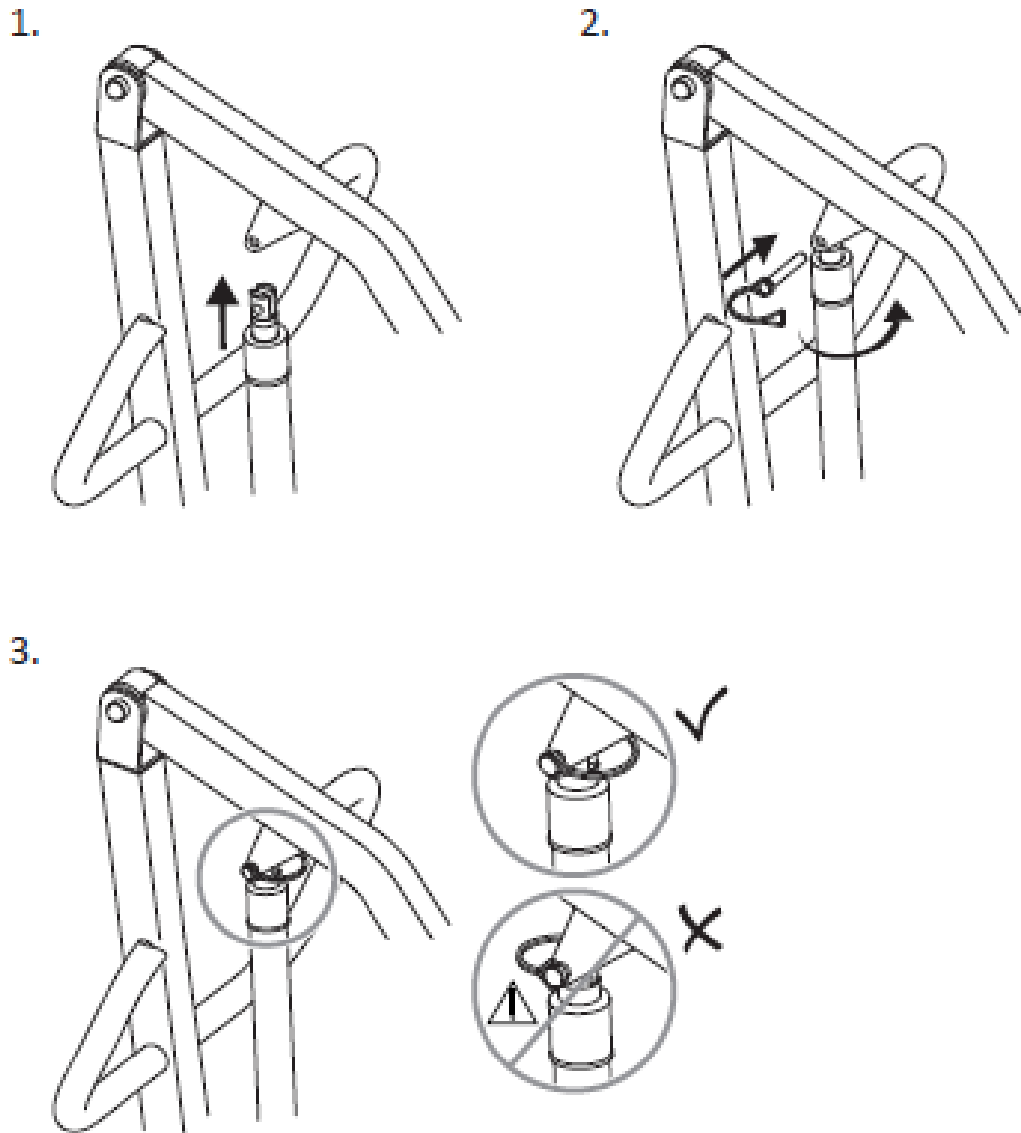
Invacare Limited

Pencoed Technology Park · Pencoed · Bridgend CF35 5AQ

Tel: +44 | 656 776 333

Fax: +44 | 656 776 244

Invacare® Birdie®



Invacare Portugal Ltd.
Rua Estrada Velha 949
4465-784 Leça do Balto
Portugal



Yes, you can.®

1603064-A 2016-05-12 1/1