

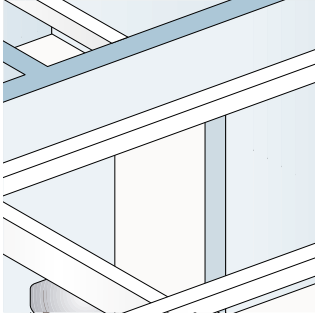


A modern, easy to install tracking system with flexible options

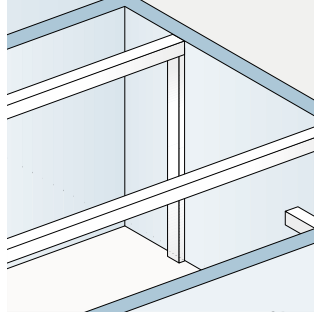
The *Invacare EC Track* system completes the versatility of the *Invacare Robin* overhead hoist. To meet varied transfer needs, we offer a wide range of tracking options for different kinds of environments and types of installation. The *EC Track* has a discrete modern design with a flush fit and long span, ensuring that the complexity of the various transfer needs are met. *EC Track* is constructed from lightweight but robust aluminium material and is exceptionally easy to install.

- 3 year warranty
- 200kg safe working load

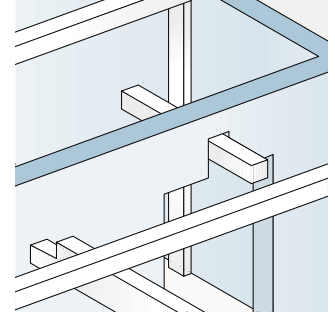
Features and Options



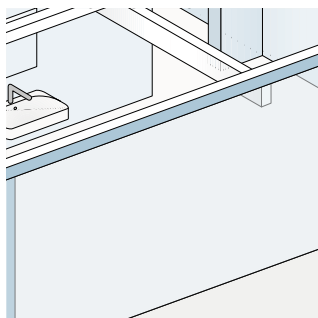
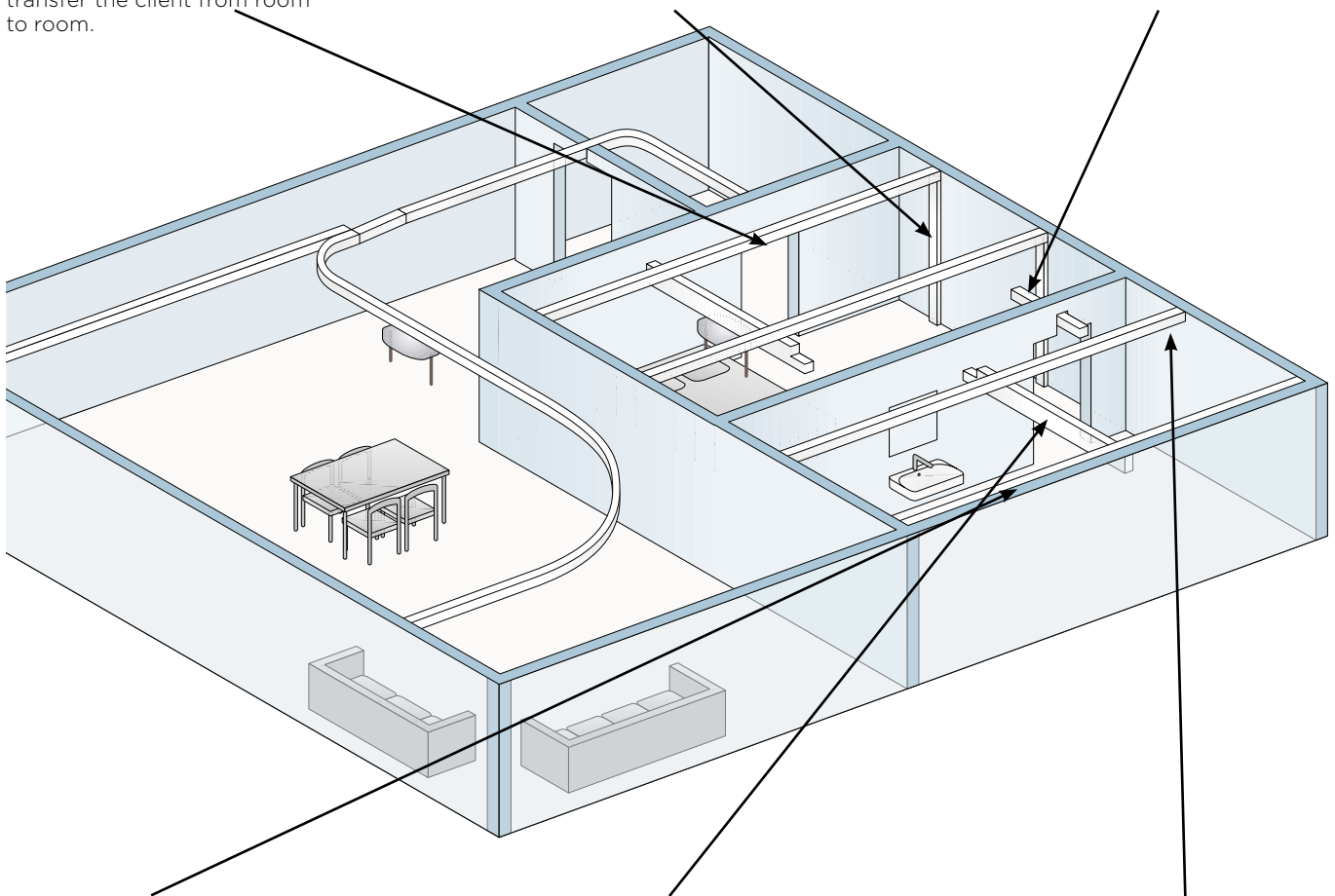
Room to room transfer
 With two *Invacare Robin* motors and a room-to-room trolley, it is possible to transfer the client from room to room.



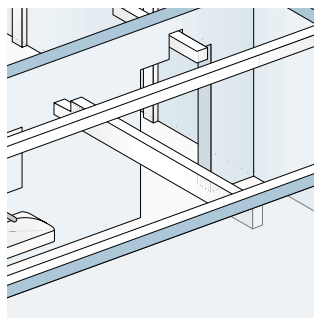
Wall support
 The tracks can be wall mounted on walls that will not support a single bracket.



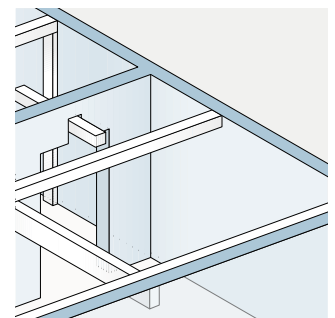
Transit coupling
 To transfer the user from one room to another, using only one *Robin* motor.



Wall bracket
 To install the track along the wall.



Traverse (XY) systems
 Permits an unlimited number of lifting locations.



Wall bracket
 To install the track in a free span. The tracks are mounted to the wall at the ends.

Features and Options



Invacare EC Track
Is available in 3 different profiles, small, medium and large, depending on the span required.



Curves
Are available in 30, 45, 60 and 90 degrees as standard. Only S-Profiles.



The **Invacare Robin** trolley
Designed to fit the Invacare E C Track. Robin trolleys are also available to fit other manufacturer's tracks.



Invacare Robin hoist unit
Connects to the track, without the use of tools.



Standard bracket
Available for all track options.



The Quick bracket
Single point installation.



Wall bracket
An alternative to ceiling mounting.



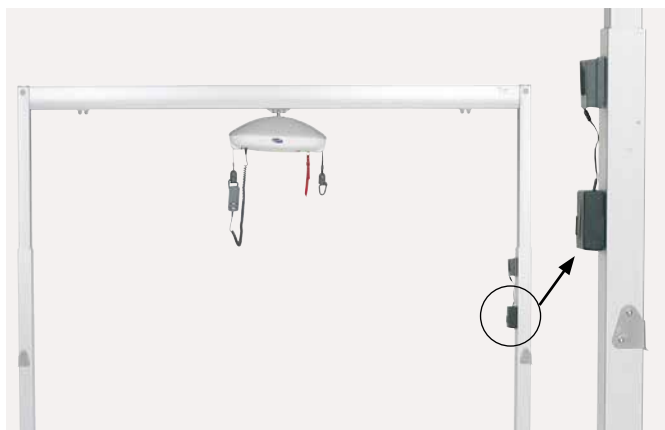
Wall support
To support the wall-mounted track



Traverse trolley



Transit coupling
To transfer from one room to another, using only one **Robin** motor.



EC - Gantry

Tracks on „legs“- no need for installing tracks in wall or ceiling. EC - Gantry is very easy to install and dismantle and once mounted it is very easy to raise and lower the gantry without using tools.

The EC - Gantry is available in two versions:

1. With castors - height adjustable from 195 - 230 cm
2. Without castors - height adjustable from 216 - 251 cm



EC -Gantry Traverse

Room covering tracks on „legs“- no need for installing tracks in wall or ceiling.

EC - Gantry Traverse is very easy to install and dismantle and once mounted it is very easy to raise and lower the gantry without using tools.

EC- Gantry is height adjustable from 218 to 253 cm.

Technical data



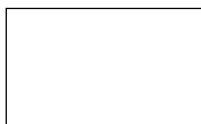
200 kg

Invacare
EC-Track



Please refer to the EC Track Installation manual and the User Manual for further technical details.

Frame colour



white



aluminium

Invacare Limited
Pencoed Technology Park -
Pencoed - Bridgend CF35 5AQ -
United Kingdom
Tel: +44 1 656 776 222
Fax: +44 1656 776 220
E-mail: uk@invacare.com
Sales Order E-mail:
ordersuk@invacare.com
www.invacare.co.uk

Invacare Ireland Ltd
Unit 5 - Seatown Business Campus
Seatown Road - SWORDS - County
Dublin - Ireland
Tel. +353 1 8107084
Fax +353 1 8107085
Email: Ireland@invacare.com
www.invacare.ie

© 2016 Invacare International Sàrl
All rights reserved.

All information quoted is believed to be correct at time of print. Invacare reserves the right to alter product specifications without prior consultation.

The *Invacare EC Track* is part of the 'Safe Patent Handling' range.

EC-Track - UK - 01/2016 - 1503845



safepatienthandling



Yes, you can.®