

10 Way Switch Control

The new LiNX 10 Way Switch option provides an alternative way of operating powered seating functions. Whether, while driving to suit the terrain ahead or for easy one button operation.



- Easy, alternative way of operating actuators, that can be mounted in 3 different positions directly behind the joystick, on the opposite armrest or in the attendant position.

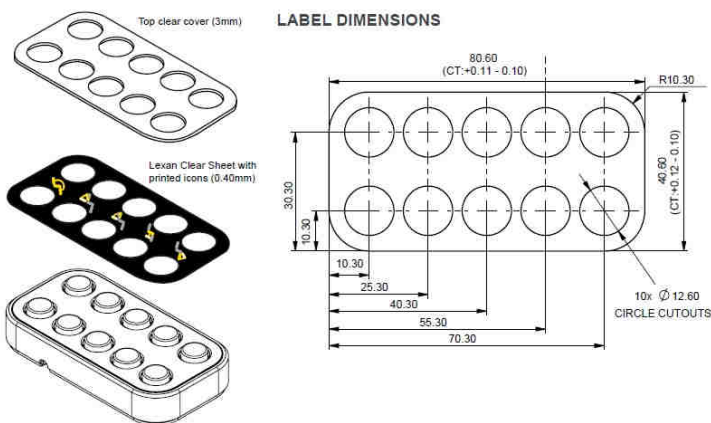


10 Way Switch Control

- It's as simple as a single button press for those who struggle to understand or operate the actuators via the joystick.



- Actuators can be adjusted while driving – maintaining optimum seat position for improved comfort and confidence in driving.
- The 10 Way switch can be used on a single actuator set-up or a more complex system of up to 5 actuators.
- Retrofit as spare parts, as and when the client's needs change – simply plug “n” play, no programming required.
- The 10 Way Switch has been designed with a customisable graphic insert*. Simply select the specific icons and colours you want or create your own icons. Place them on the template and supply them to your printer to print on your selected material. When supplied, the module has seating icons on one side and numbers on the reverse. (*Adobe Illustrator required)



For further information on the Invacare LiNX control system please visit:

www.invacarelinx.com