



By Appointment to
 HM Queen Elizabeth The Queen Mother
 Wheelchair Manufacturer
 Invacare
 Bridgend



Urgent Field Safety Notice

Invacare Birdie Patient Lifter (all models)

FSN 024

Date: 27th August 2009

Ref: 2009/008/017/261/004

Urgent Safety Information:

It has come to our attention that the countersunk head screws in the base of the Birdie lifter could potentially come loose; this is the result of an inconsistent manufacturing process, which has now been corrected. This can in the worst case, lead to breakage of the screw. If the screw breaks the "leg" of the base can detach and lead to a collapse of the lifter which may result in injury to the user. All Birdie lifters produced between 1st April 2008 and 1st April 2009 are affected. The date of manufacture can be found on the serial label.

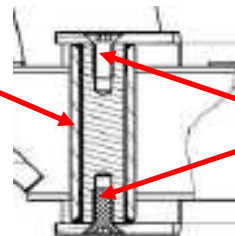
Serial numbers of affected product: 010802716382001 to 010903762281001

It is important that you inspect your Birdie Lifter to ensure that the 4 screws are secure (i.e. have no play). Instructions on the inspection procedure are provided below. If the screws are not tight enough you should remove the lifter from use and contact your local Invacare sales office. Invacare will send out a new base together with information on how to change the base. You will find contact information at the bottom of this page.

If on inspection the screws are found to be correctly tightened there is no risk and you may continue to use the lifter.



Pivot spindle



C/sunk head screws

Invacare deeply regrets any inconvenience caused and would ask for full co-operation in this field action. Invacare acknowledges that this may be an inconvenience; however it is not an option and must be done immediately to mitigate the potential safety risk.

INVACARE UK OPERATIONS LIMITED

South Road Bridgend Industrial Estate Bridgend CF31 3PY

Sales/Technical Service Tel: 01656 647327 Fax: 01656 649016 Reception Tel: 01656 664321

Registered in the UK No. 3281202



By Appointment to
 HM Queen Elizabeth The Queen Mother
 Wheelchair Manufacturer
 Invacare
 Bridgend



Please be advised that this notice will only be sent by Invacare to those who have purchased products from within the affected serial number range.

Please ensure that the information in this notice is made available to all relevant personnel within your organisation and / or customer base, and / or any organisation where the potentially affected devices have been transferred. Please also ensure that awareness is maintained for an appropriate period.

If you have any questions relating to this bulletin, or should you require any additional information, please contact;

Technical Services Department

Tel. 01656 647327
 Fax. 01656 753299

Invacare confirms that the relevant Competent Authorities have been informed of this Field Safety Corrective Action.

Part number of the new bases: 1529416-7012 Birdie Electrical incl. fasteners for castors
 1529417-7012 Birdie Compact incl. fasteners for castors
 1529418-7012 Birdie incl. fasteners for castors
 1429419-7012 Birdie Plus incl. fasteners for castors

Please note, that following replacement, the old base needs to be scrapped. Please verify this on the fax-back form.

Inspection Instructions

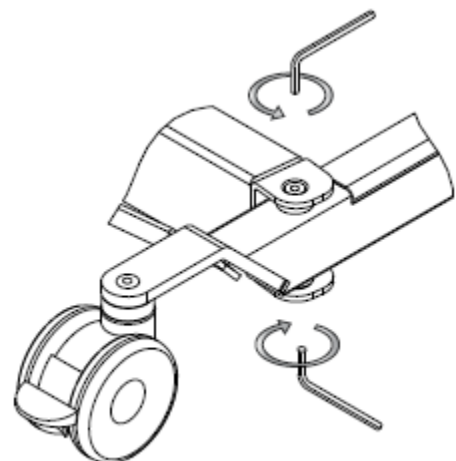
Try to undo the screws.

Set the torque wrench to 20 Nm, and try to turn the top M8 screws attaching the legs to the base anti clockwise (i.e. Unscrew – as shown in the diagram).

There are two screws on the upper side of the base (one in each side). There are also two screws underneath: try to turn them clockwise.

Important: Check all 4 screws.

The screws should be able to withstand a “torque-off” of 20 Nm. i.e. not move. If any of the screws fail this test i.e. loosen, withdraw the lifter from use and replace the base – as advised above



Tools Required

Torque wrench (with range suitable for 20 Nm)
 5mm hexagon drive for M8 Allen head screw.

INVACARE UK OPERATIONS LIMITED

South Road Bridgend Industrial Estate Bridgend CF31 3PY
 Sales/Technical Service Tel: 01656 647327 Fax: 01656 649016 Reception Tel: 01656 664321
 Registered in the UK No. 3281202